

Specifications

DESCRIPTION

- Brass construction
- Includes red/blue indicators

FLOW

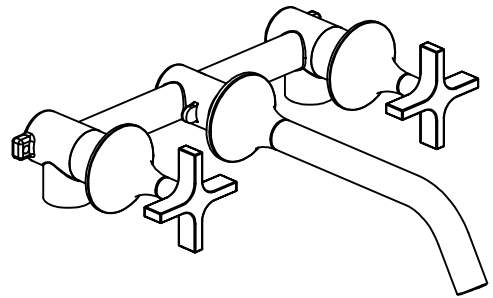
- Flow is limited to the maximum rates indicated on the product.
- North America: 5.7 L/min (1.5 gpm) at 60 psi.
- California: 4.5 L/min (1.2 gpm) at 60 psi.

CARTRIDGE

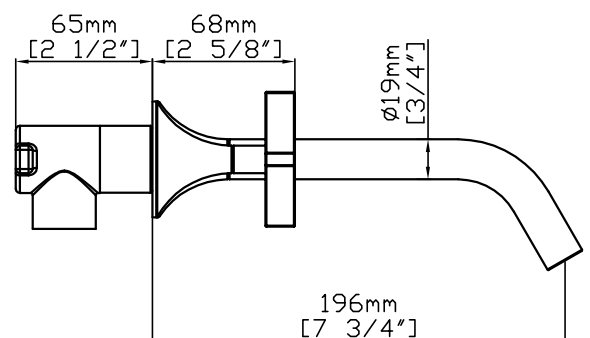
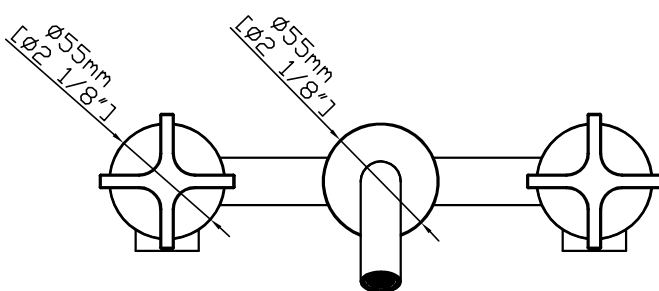
- Ceramic disc cartridge

STANDARDS

- Certified to cUPC
- Certified to ABI953
- Certified to NSF/ANSI 61



Wall Mounted Lavatory Faucet



Note: Dimensions are nominal and for reference only; final product details prevail.