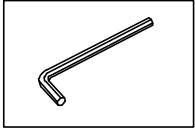


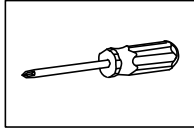
# Wall Mounted Lavatory Faucet Installation

## INSTALLATION MANUAL

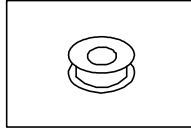
## Tools You Will Need:



Hex key (Allen)



Phillips Screwdriver



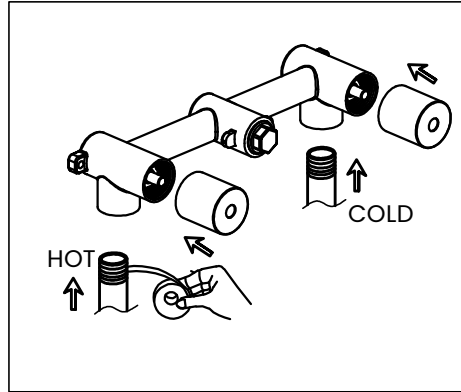
PTFE (Teflon) tape

### Notes Before Installation:

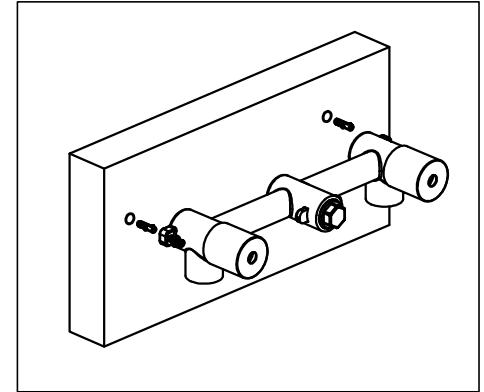
1. Check all components are present.
2. Clear supply lines of debris; ensure shutoff valve is present.
3. Verify water pressure: 140–860 kPa (20–125 psi) combined hot and cold.
4. Images are representative and may not match your exact model. If you experience difficulty, contact a licensed plumber.
5. If away for extended periods, shut off main water supply.

### Daily Maintenance:

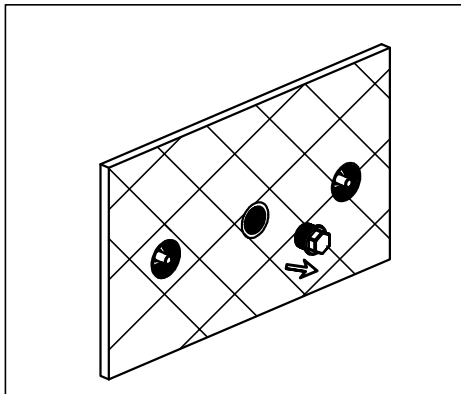
1. Use soft cloth and vinegar for hard-water spots.
2. Check aerator regularly for calcium buildup.
3. Use only vinegar or mild, non-abrasive cleaners. Using any other cleaners will damage the finish and void the product warranty.
4. If water pressure is low, clean or replace aerator.



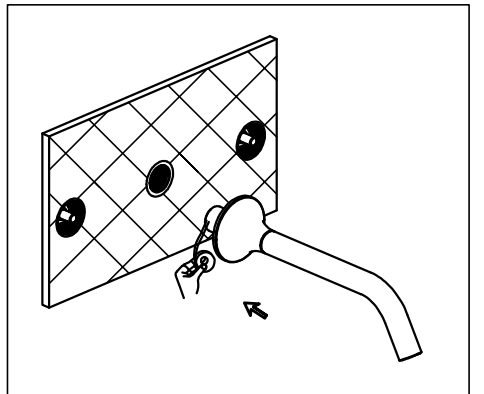
1. Wrap PTFE tape on male threads; connect hot (left) and cold (right) to the valve inlets.



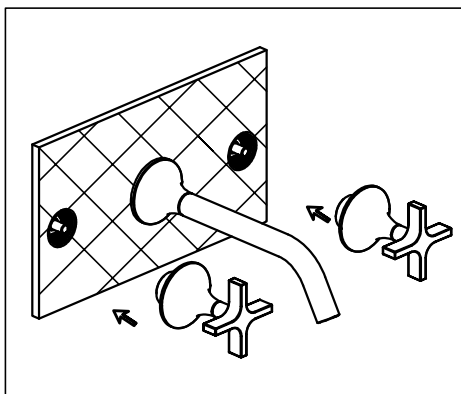
2. Secure the valve body to framing.



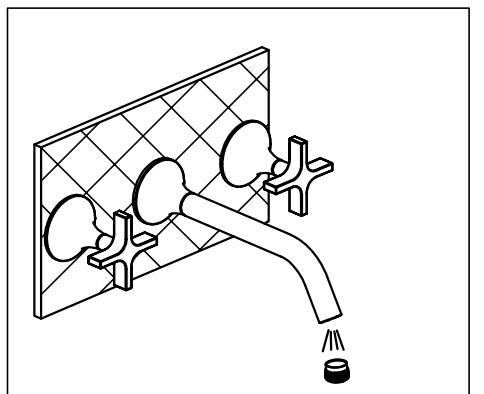
3. Cut wall openings to suit and align centres; remove protective plugs.



4. Wrap spout threads with PTFE tape (clockwise); thread on the spout and tighten; install the escutcheon/cover flush.



5. Install handles onto valve stems and secure.



6. Remove aerator; run water 1 minute to flush; shut off; reinstall aerator.