

INSTALLATION INSTRUCTIONS

MODERN 4/6L ONE PIECE TOILET

Model TT-0382Y

Complies with ASME
A112.19.2/CSA B125.1-2013.



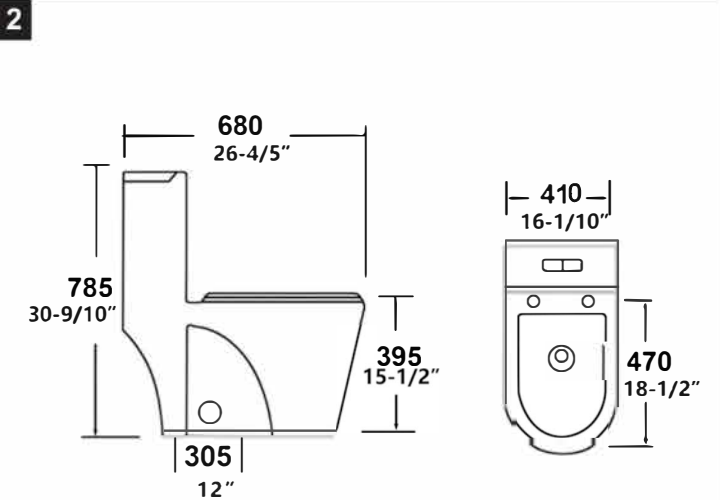
⚠ CAUTION: PRODUCT IS FRAGILE. TO AVOID BREAKAGE AND POSSIBLE INJURY HANDLE WITH CARE!

RECOMMENDED TOOLS AND MATERIALS

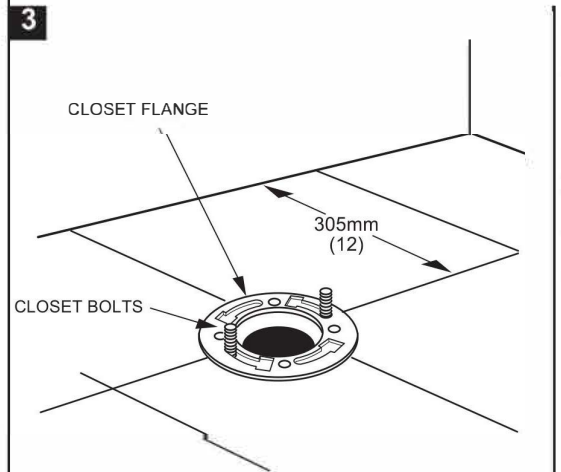
Putty Knife	Regular Screwdriver	Adjustable Wrench	Sealant	Tape Measure
Hacksaw	Wax Ring/Gasket	Flexible Supply Tube	Closet Bolts	Carpenters Level

1 REMOVE OLD TOILET (IF NEW INSTALLATION PROCEED TO STEP 2)

- Close toilet supply valve and flush tank completely. Towel or sponge remaining water from tank and bowl.
 - Disconnect and remove supply line. *NOTE: If replacing valve, first shut off main water supply!*
 - Remove old mounting hardware, remove toilet and plug floor waste opening to prevent escaping sewer gases.
 - Remove closet bolts from flange and clean away old wax, putty, etc. from base area.
- NOTE: Mounting surface must be clean and level before new toilet is installed!*



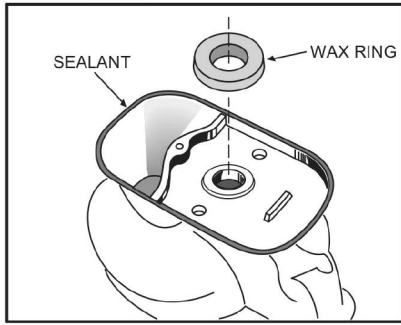
DIMENSIONS (Nominal) NOTE: Distance from wall to closet flange centerline (rough-in) must be 12" (305 mm) minimum.



3 INSTALL CLOSET BOLTS

Install closet bolts in flange channel, turn 90°, and slide into place 6" (152 mm) apart and parallel to wall.

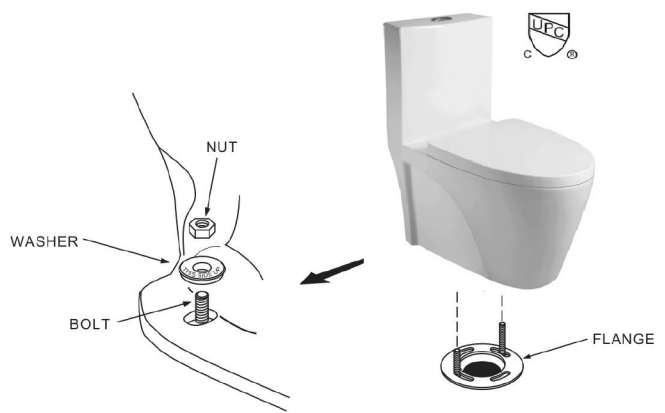
4



INSTALL WAX RING

Invert toilet on floor (cushion to prevent damage), and install wax ring evenly around waste flange (horn), with tapered end of ring facing toilet. Apply a thin bead of sealant around base flange.

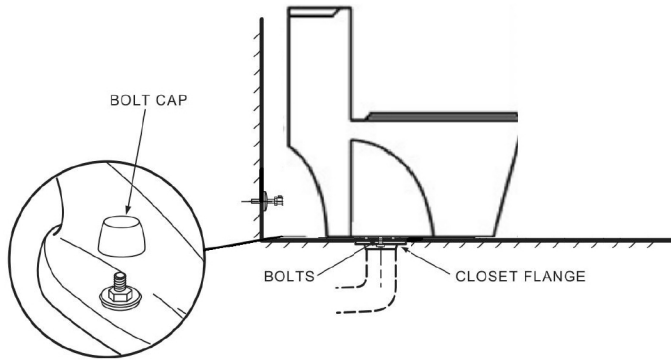
5



INSTALL TOILET ON FLANGE

- Remove waste covering and install toilet on closet flange so bolts project through mounting holes.
- Loosely install retainer washers and nuts. (Larger diameter side of washers (Marked "THIS SIDE UP") must face up!)

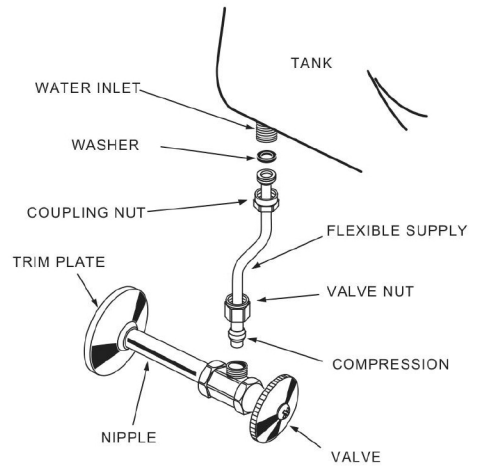
6



INSTALL TOILET

- Position toilet squarely to wall and, with a rocking motion, press bowl down fully on wax ring and flange. Alternately tighten nuts until toilet is firmly seated on floor.
- ⚠ CAUTION: DO NOT OVERTIGHTEN NUTS OR BASE MAY BE DAMAGED!**
- Install caps on washers. (If needed, cut bolt height to size before installing caps.) Place a bead of sealant around base. Remove excess sealant.
 - Smooth off the bead of sealant around base. Remove excess sealant.

7



CONNECT WATER SUPPLY

- Connect water supply line between shutoff valve and tank water inlet fitting. Tighten coupling nuts securely.
- Turn on supply valve and allow tank to fill until float rises to shutoff position.
- Check for leakage at fittings, tighten or correct as needed.

8

INSTALL TOILET SEAT Install toilet seat in accordance with enclosed directions.