

## OPERATION

- Lever-style handle with temperature indicator on the escutcheon.
- Handle rotates counter-clockwise through 120°: OFF at 6 o'clock, maximum HOT near 2 o'clock; turn clockwise to shut off.
- Adjustable limit stop to control the maximum hot-water temperature.
- Pressure-balancing mechanism maintains outlet temperature within  $\pm 3.6\text{ }^{\circ}\text{F}$  ( $\pm 2\text{ }^{\circ}\text{C}$ ).

## FLOW

- Showerhead: limited to 2.5 gpm (9.5 L/min) at 80 psi.
- Hand shower: limited to 2.5 gpm (9.5 L/min) at 80 psi.

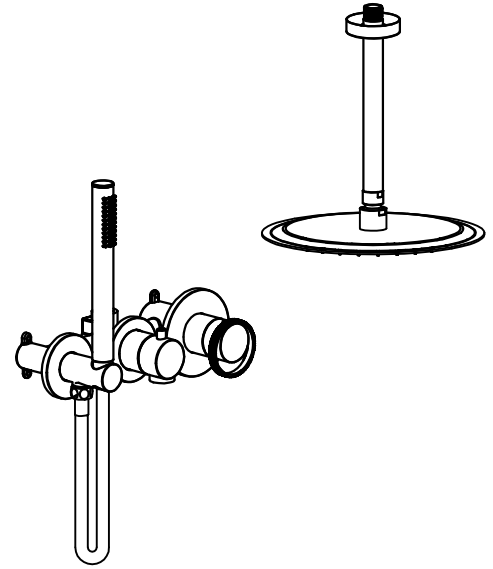
## CARTRIDGE

- Pressure-balance cartridge.

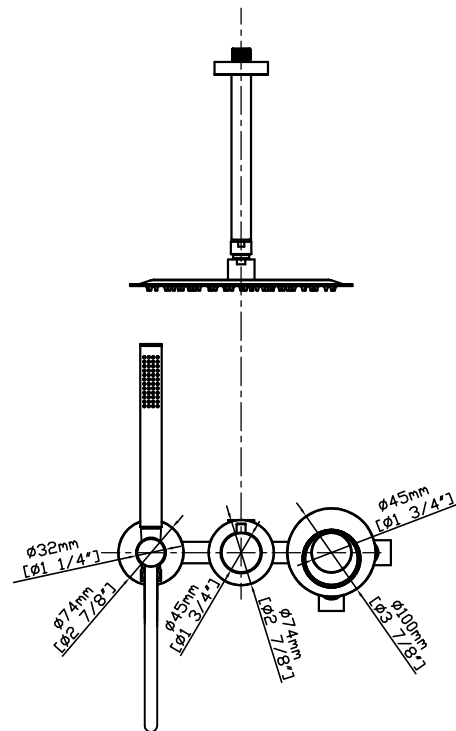
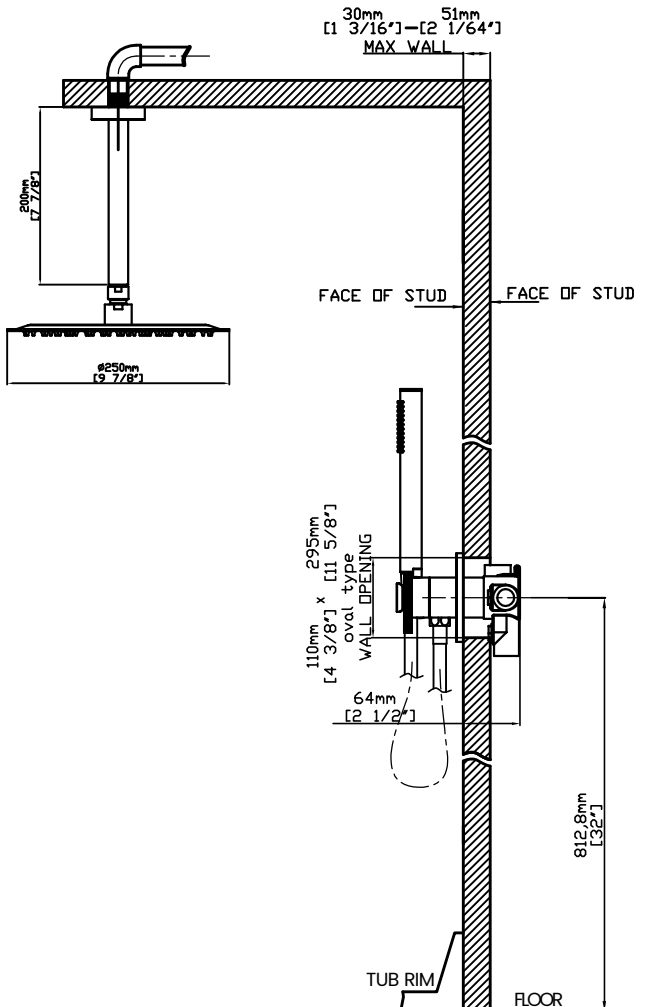
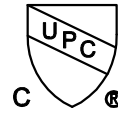
## STANDARDS

- Third-party certified to ASME A112.18.1/CSA B125.1 (cUPC).

# Specifications



Two function Concealed Shower Set



Note: Dimensions are nominal and for reference only; final product details prevail