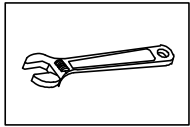
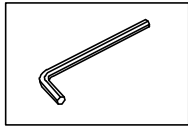


## INSTALLATION MANUAL

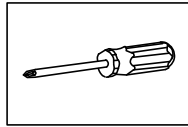
## Tools You Will Need:



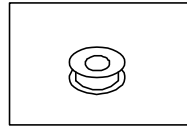
Adjustable wrench



Hex key (Allen)



Phillips Screwdriver

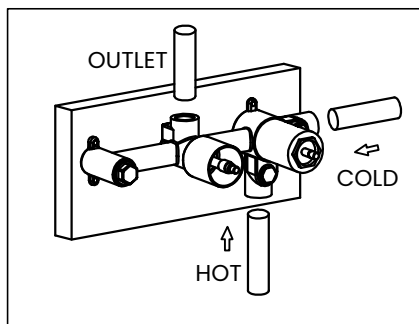


PTFE (Teflon) tape

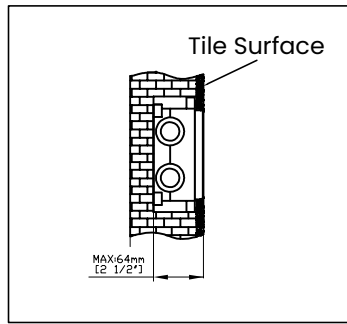
### Notes before installation:

1. Ensure all components are present.
2. Before installation, flush all supply lines and ensure an accessible shut-off valve is present.
3. Operating pressure: 140–860 kPa (20–125 psi) total, combined hot and cold.
4. Illustrations are representative and may differ slightly from the product supplied.
5. For extended absences, shut off the main water supply.

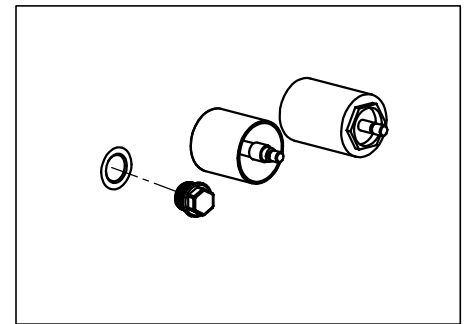
**⚠ Testing: AIR ≤ 86 kPa (12.5 psi) only. Hydrostatic tests must not exceed the manufacturer's specified pressure. Licensed plumber only.**



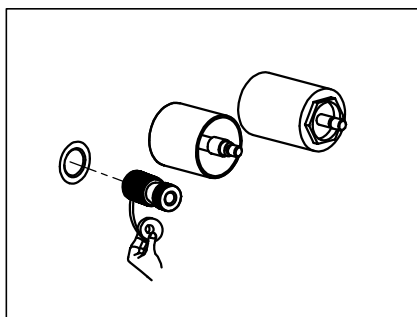
1. Secure valve to framing/blocking at planned height.



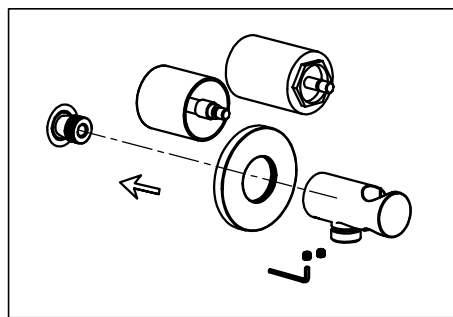
2. Set valve in wall at 64 mm depth and fasten.



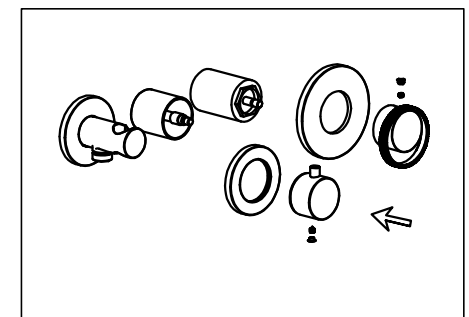
3. Remove the protective plug.



4. Wrap spout threads with PTFE tape (clockwise).



5. Thread spout onto outlet; tighten (use hex key).



6. Fit handle; tighten the set screw.



7. Install shower arm, flange, and showerhead; tape threads (clockwise) and tighten. Turn on water, flush, and check for leaks.