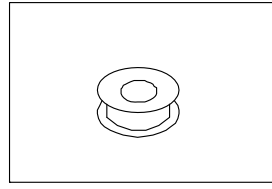
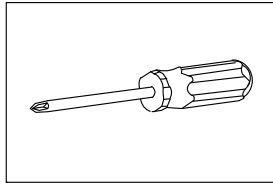
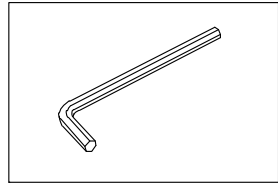
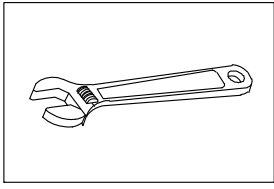


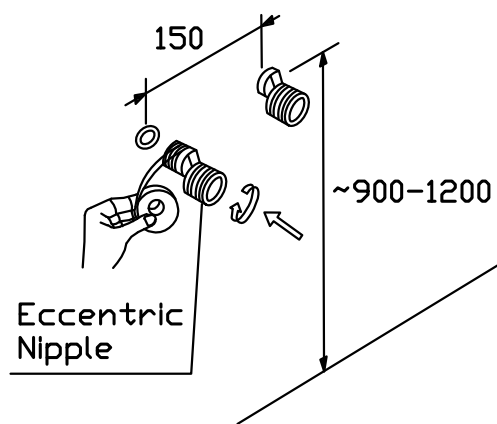
## INSTALLATION MANUAL Tools You Will Need :



Adjustable wrench   Hexagon wrench   Philips Screwdriver   Pipe Tape

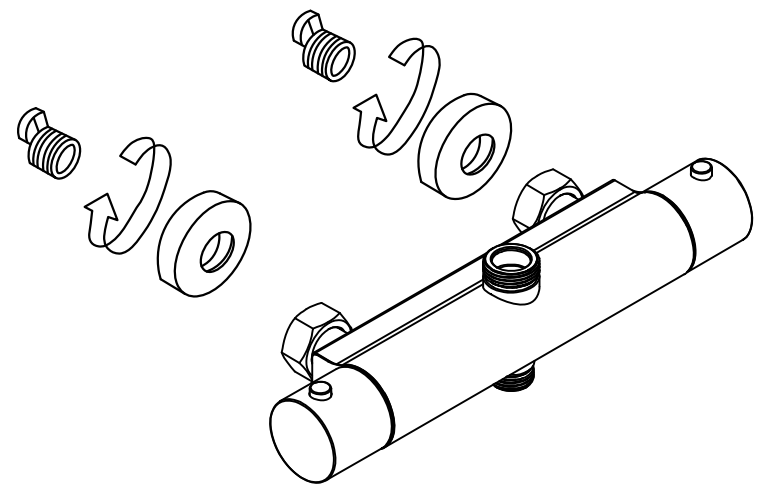
### Notes before installation :

1. Please check that all components are present.
2. Before installation ensure that all feed lines are clear of debris and on/off valve is present.
3. Pictures in the manual are general in content and may not represent exactly your purchased faucet.  
If you are having difficulties please contact a professional plumber.
4. If you will be away from home for an extended period you should shut off the main water supply.



#### Step 1

Apply pipe sealant to treads of eccentric nipples; connect eccentric nipples onto inlet pipes.



#### Step 2

Install eccentric nipples with decorative covers then insert gasket and nut and tighten onto eccentric nipples with wrench.