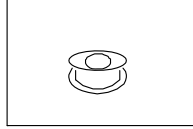
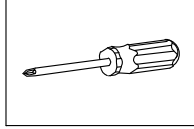
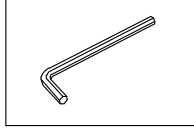
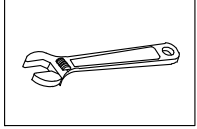


Two Function Concealed Shower Set Installation

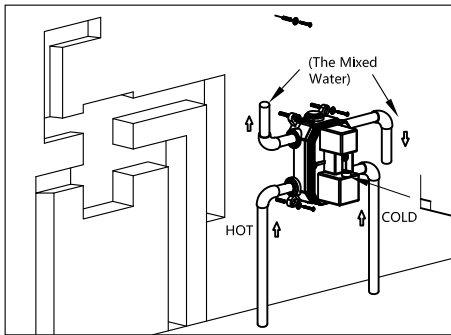
INSTALLATION MANUAL Tools You Will Need :



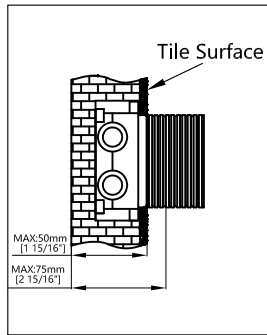
Adjustable wrench Hexagon wrench Phillips Screwdriver Pipe Tape

Notes before installation :

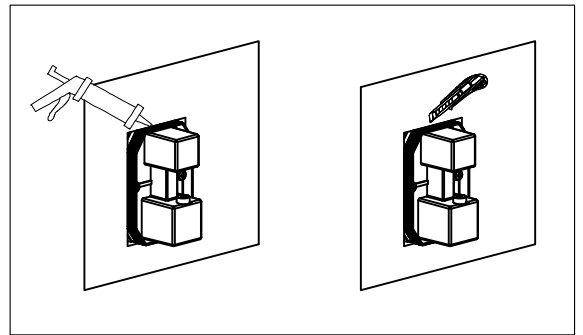
1. Please check that all components are present.
 2. Before installation ensure that all feed lines are clear of debris and on/off valve is present.
 3. Ensure water pressure is between 20-125 PSI (includes combination of hot and cold feed lines).
 4. Pictures in the manual are general in content and may not represent exactly your purchased faucet.
- If you are having difficulties please contact a professional plumber.
5. If you will be away from home for an extended period you should shut off the main water supply.
- ⚠ All valves pass air and water testing during manufacture. If request air test before installation, MUST under the guide of professional plumber, and air pressure DO NOT over 145PSI (=10KG).**
6. Please insure that to make a wash for all water pipe before installation to insure no impurity inside
 7. When you need to welding the shower valve to the water pipe of the valve, please remember to take out the cartridge and any seal parts of the valve .
- When finish welding, need to wait for body of the valve cool down and then install the cartridge and the seal parts
8. Need to used the 11-13N.m power to lock the cartridge
- ⚠ All valve have the pass the the air testing and pressure testing before ship out . If request pressure testing before installaion, Must under the guide of the professional Plumber with license .And air pressure do not over 125PSI .If you want to the Brust testing over 500+2PSI, you need to changed a new cartridge for normal using.**



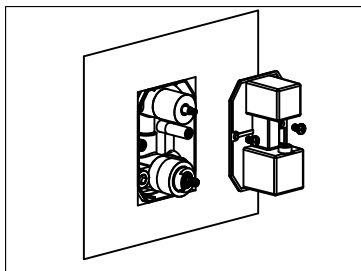
1. Confirm the install place of shower valve, connect the hot water on left side and cold water on right side (size for pre-install box:130*200*50mm).



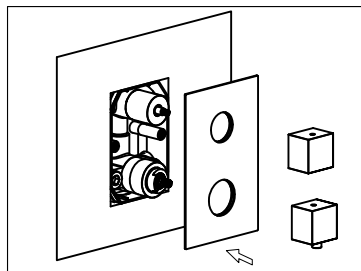
2. Laid the shower valve into the solid wall, the suitable depth is 50mm.



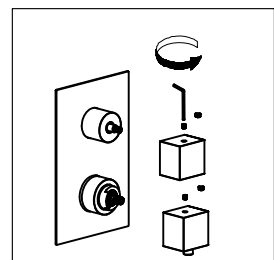
3. Use glue along the pre-install box to keep it stable, then cut off the part which pre-install box exceed the wall by cutting tool.



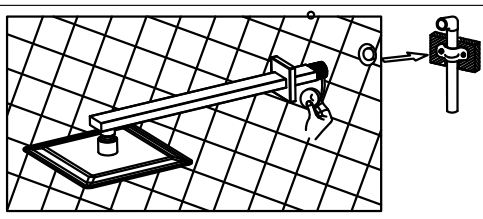
4. Loosen the screw and remove protect cover.



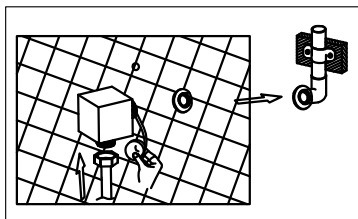
5. Lock the deck plate into the body and ceiling to the wall.



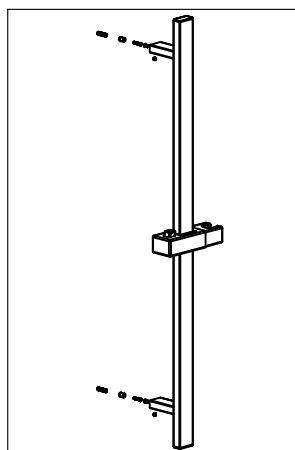
6. Install the handles by hexagonal wrench, then install the red and blue color button.



7. Install the shower arm, shower head and flange to the fitting. (stick to the wall) .Tighten the showerhead to the shower arm with the pipe tape.(Make sure the pipe tape with clockwise direction) .



8. Insert the connector to the pipe which outside the wall, the other outside hole connect the hose with hand shower.



9. use tapping screw to fix holder on the wall, then fixed the hex screw.