

OPERATION

- Thermostatic function: maintains a setpoint of 38 °C (100 °F).
- Adjustable temperature: factory high-limit 56 °C (133 °F); minimum cold supply 15 °C (59 °F), subject to local system conditions.

FLOW

- Showerhead: limited to 2.5 gpm (9.5 L/min) at 80 psi.
- Hand shower: limited to 2.5 gpm (9.5 L/min) at 80 psi

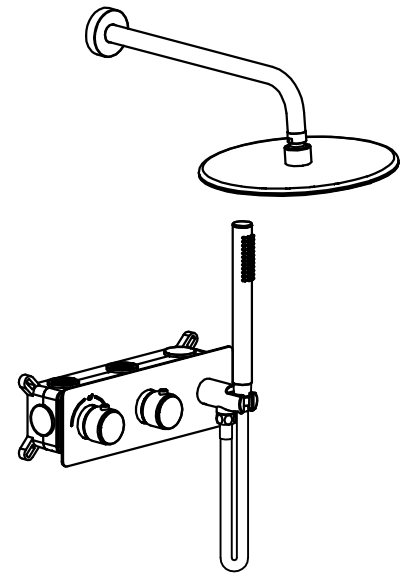
CARTRIDGE

- Thermostatic cartridge.

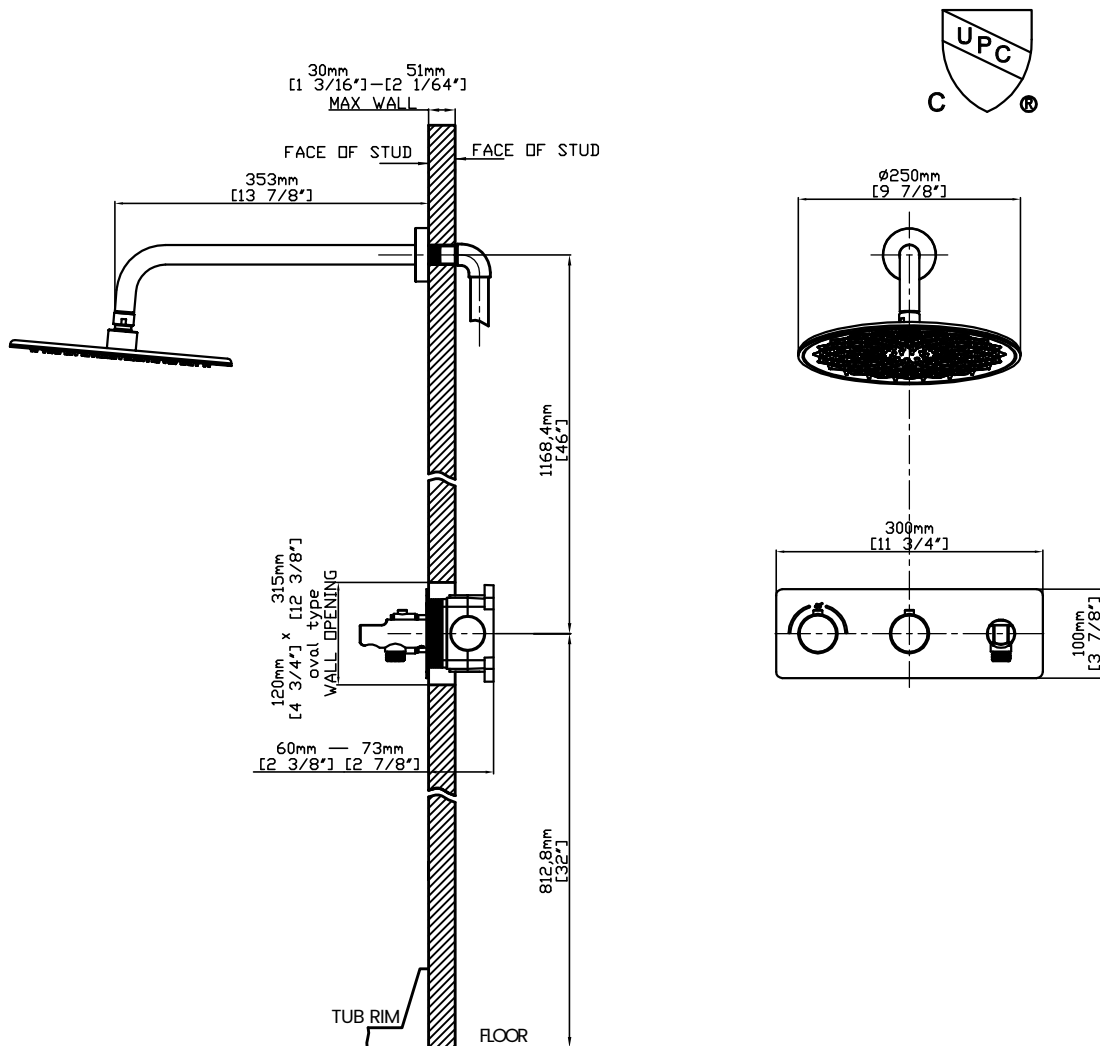
STANDARDS

- Third-party certified to ASME A112.18.1/CSA B125.1; all applicable requirements referenced therein (cUPC).

Specifications



Two-function Concealed Shower Set



Note: Dimensions are for reference only. Detailed information is in accordance with the final product.