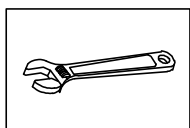


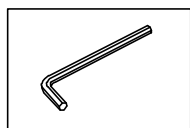
Two Function Concealed Shower Set Installation

INSTALLATION MANUAL

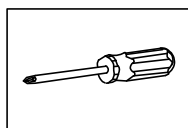
Tools You Will Need:



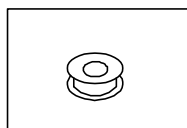
Adjustable wrench



Hex key (Allen)



Phillips Screwdriver

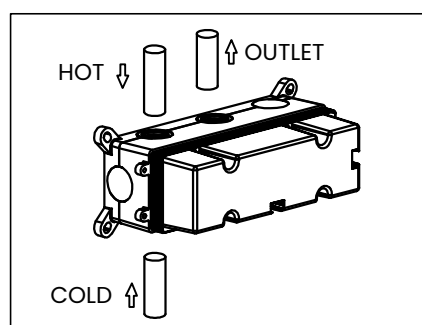


PTFE (Teflon) tape

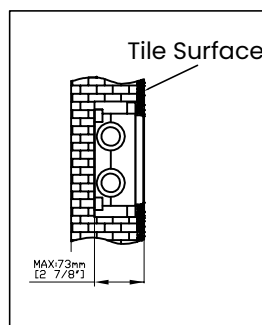
Notes before installation:

1. Ensure all components are present.
2. Before installation, flush all supply lines and ensure an accessible shut-off valve is present.
3. Operating pressure: 140–860 kPa (20–125 psi) total, combined hot and cold.
4. Illustrations are representative and may differ slightly from the product supplied.
5. For extended absences, shut off the main water supply.

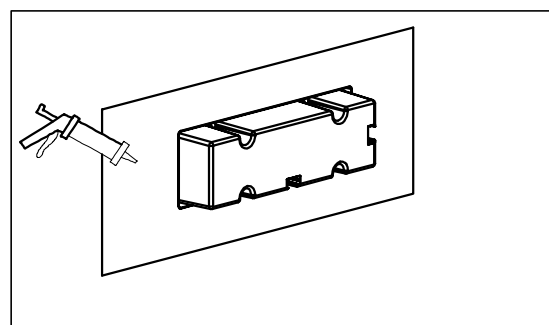
 **Testing: AIR \leq 86 kPa (12.5 psi) only. Hydrostatic tests must not exceed the manufacturer's specified pressure. Licensed plumber only.**



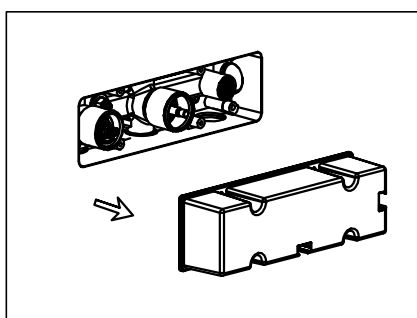
1. Mount the valve to framing/blocking.



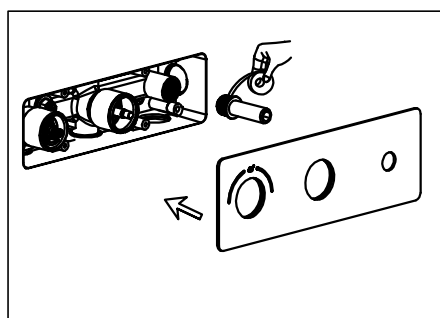
2. Set valve at 73 mm set-back; fasten.



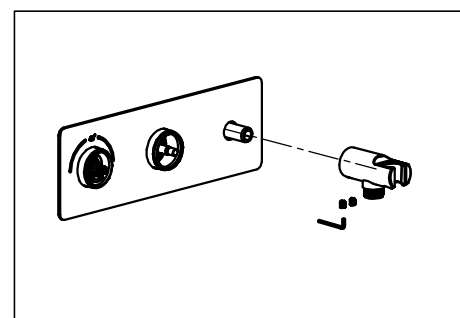
3. Secure the rough-in box so it's flush and stable.



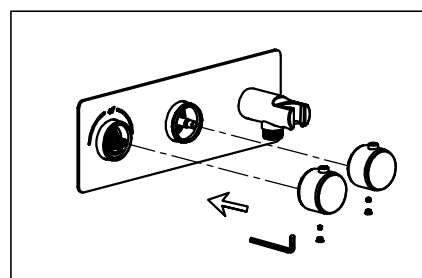
4. Remove the protective cover.



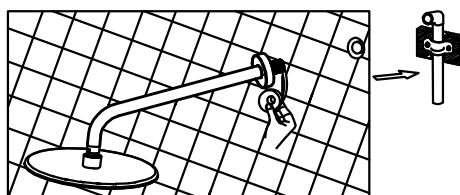
5. Wrap spout threads with PTFE tape (clockwise). Install the escutcheon and fasten.



6. Thread the spout onto the outlet; tighten (use hex key).



7. Fit the handle; tighten the set screw.



8. Install shower arm, flange, and showerhead; tape threads (clockwise) and tighten. Turn on water, flush, check for leaks.