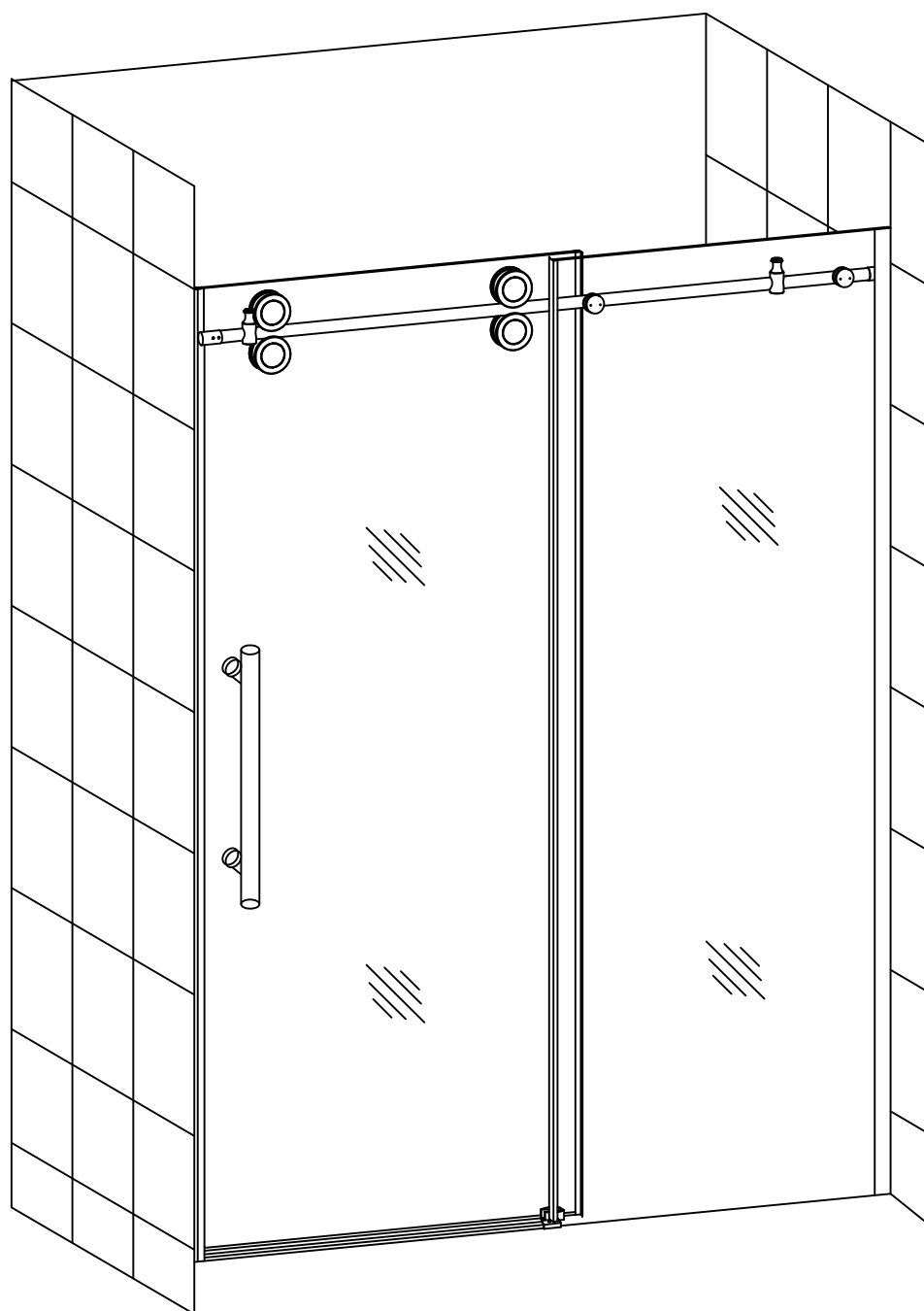


SERA
BATHROOM
—DESIGNS—



INSTALLATION AND OWNER'S MANUAL



Shower Door with Tray Model Number: S78-10-48

Please carefully read these instructions before you begin to install the products.

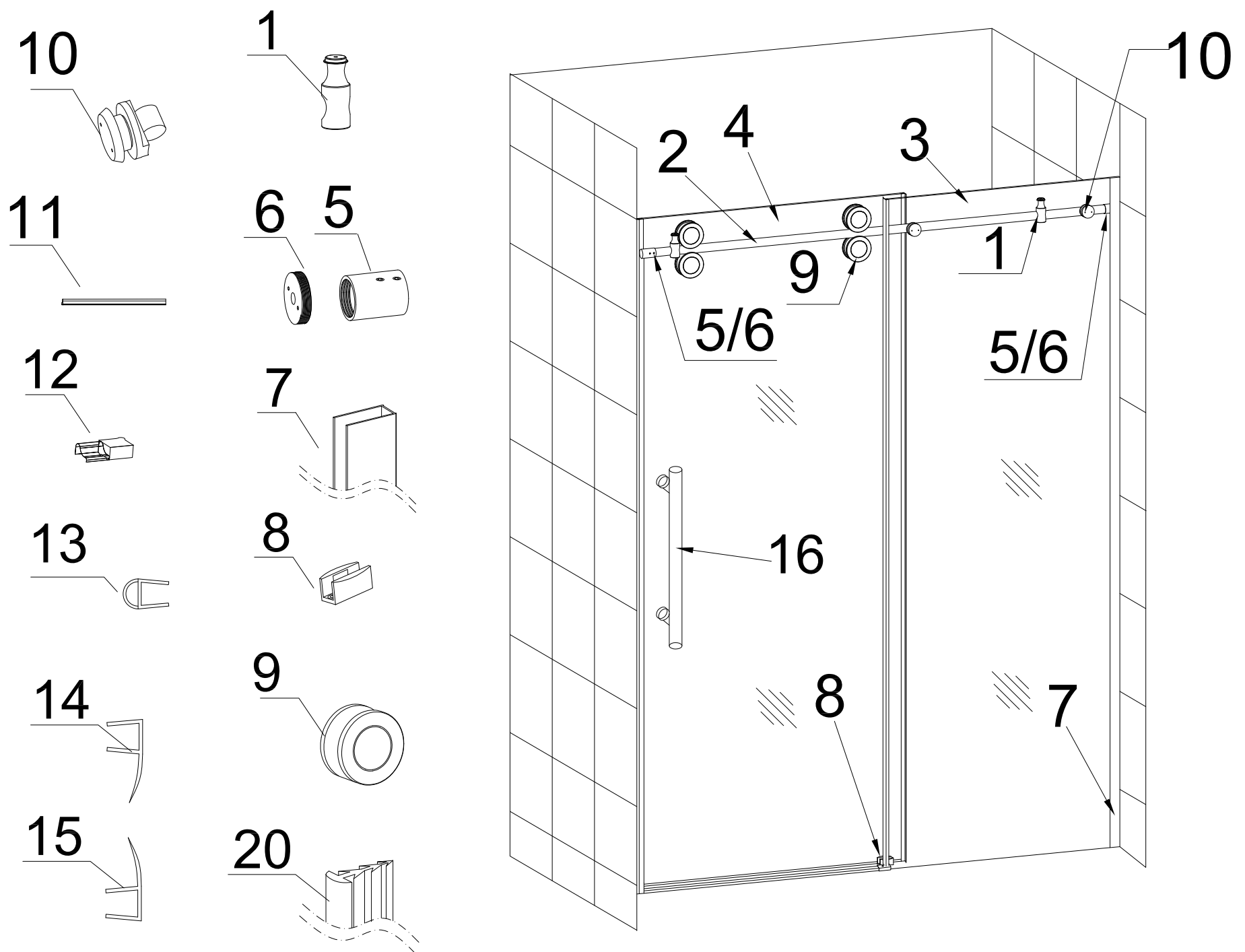
Before you start

Thank you for purchasing your shower enclosure. We hope that it will provide you with years of satisfying use and enjoyment.

Please read this manual carefully because it contains information and instructions about the proper installation of the unit. If you do not follow certain conditions of installation and maintenance, your warranty may be affected.

1. Before installation, inspect installation surfaces or level and have to the strength to support the heavy weight of this shower enclosure assembly. This Shower Enclosure should only be installed using the connection point to the studs or to pre-installed 2x6 wood reinforcements behind the wall.
2. This Shower Enclosures assembly is very heavy and requires professional installation.

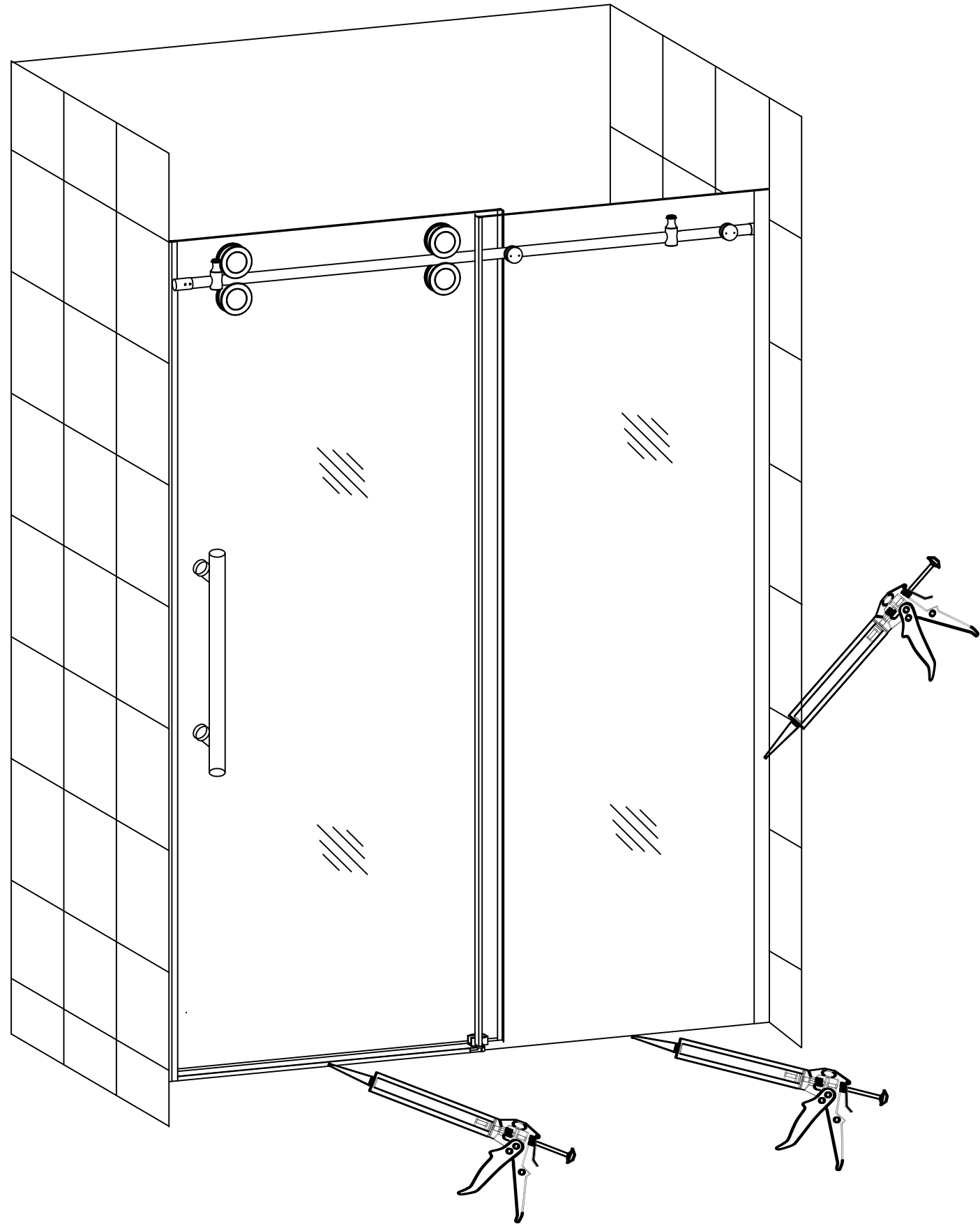
Detailed Diagram of Shower Door Components



| Key Number | Description | QTY | Key Number | Description | QTY |
|------------|----------------------------|-----|------------|------------------------|-----|
| 1 | Door Stopper | 2 | 11 | Door Threshold | 1 |
| 2 | Top Rail | 1 | 12 | Door Threshold End Cap | 2 |
| 3 | Fixed Glass | 1 | 13 | Door Seal | 1 |
| 4 | Sliding Door | 1 | 14 | Door Seal | 1 |
| 5 | Rail End | 2 | 15 | Door Seal | 1 |
| 6 | Wall Mount | 2 | 16 | Door Handle | 1 |
| 7 | Vertical channel | 1 | 17 | Screw Pack 1 | 1 |
| 8 | Sliding Door Track Divider | 1 | 18 | Screw Pack 2 | 1 |
| 9 | Roller Assembly | 4 | 19 | Screw Pack 3 | 1 |
| 10 | Fixed Glass Bolt Assembly | 2 | 20 | U-channel Seal | 1 |


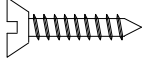
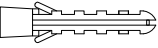
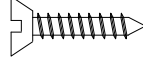

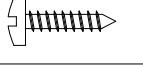

PLEASE NOTE: During unpacking carefully inspect all parts and use the exploded view drawing to identify all parts in the parts listing. Before discarding the packaging check for any parts or small hardware bags that may have been overlooked.

Final sealing

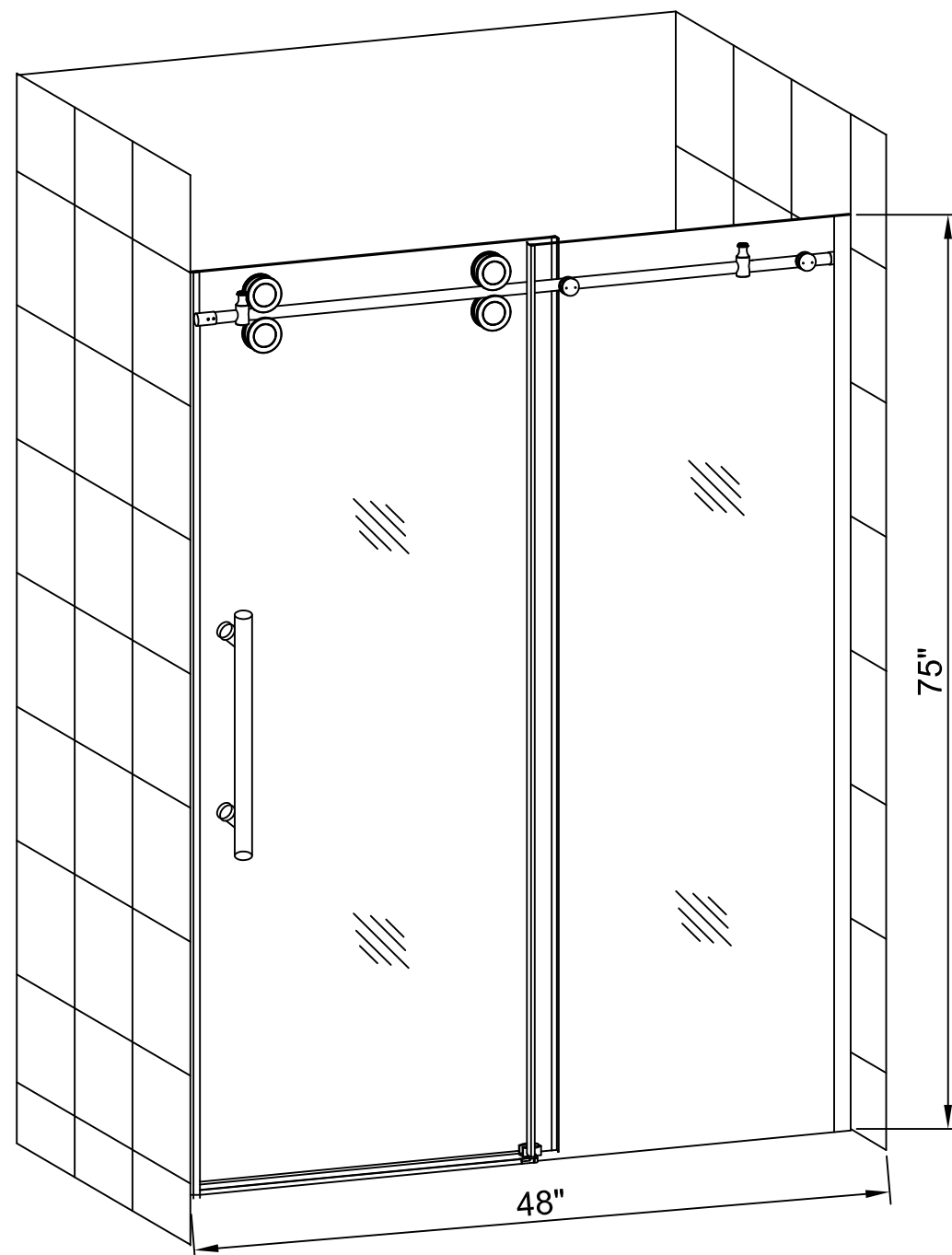


Using Bath & Kitchen silicone sealant, seal the fixed glass (3) along bottom edge on shower base, and side edge along shower wall. Next seal around sliding door track divider (8).

SUPPLIED HARDWARE

| | | | |
|-------------------|--------|-------------------------------------------------------------------------------------|---|
| SCREW PACK (1) | M5x40 |  | 2 |
| | M4x40 |  | 3 |
| | Anchor |  | 5 |
| SCREW PACK (2) | M4x40 |  | 2 |
| | Anchor |  | 2 |
| SCREW PACK (3) | M4x40 |  | 2 |
| | Anchor |  | 2 |

SUPPLIED PARTS

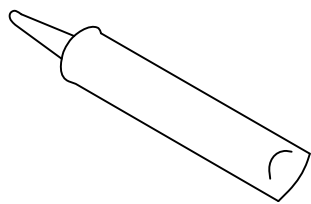


Installation Guide

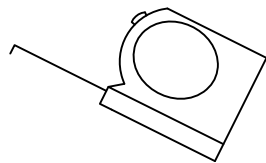
Please read and follow the installation instructions and guidelines in this section. Failure to follow the recommended instructions and installation techniques may lead to possible damage to the unit or the surrounding area. This can affect warranty claims.

ATTENTION: This unit requires assembly. A minimum of two people are required for assembly, as several of the sections can be large and unstable until assembled.

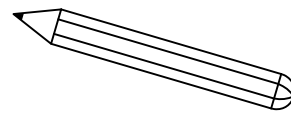
You will need the following tools:



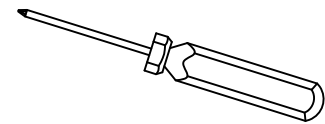
Caulk



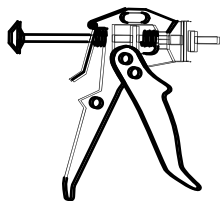
Tape Measure



Pencil



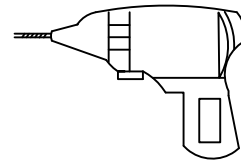
Phillips Screwdriver



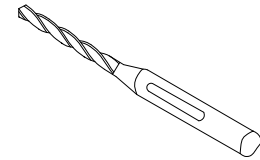
Caulk Gun



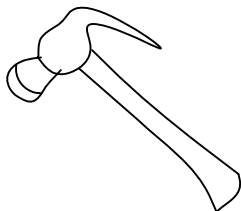
Level



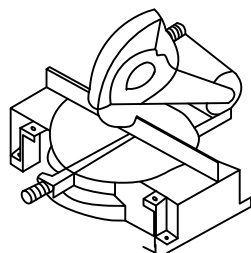
Electric Drill



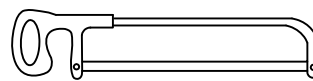
Drill bit ($\phi 1/8"$ & $5/16"$)



Hammer

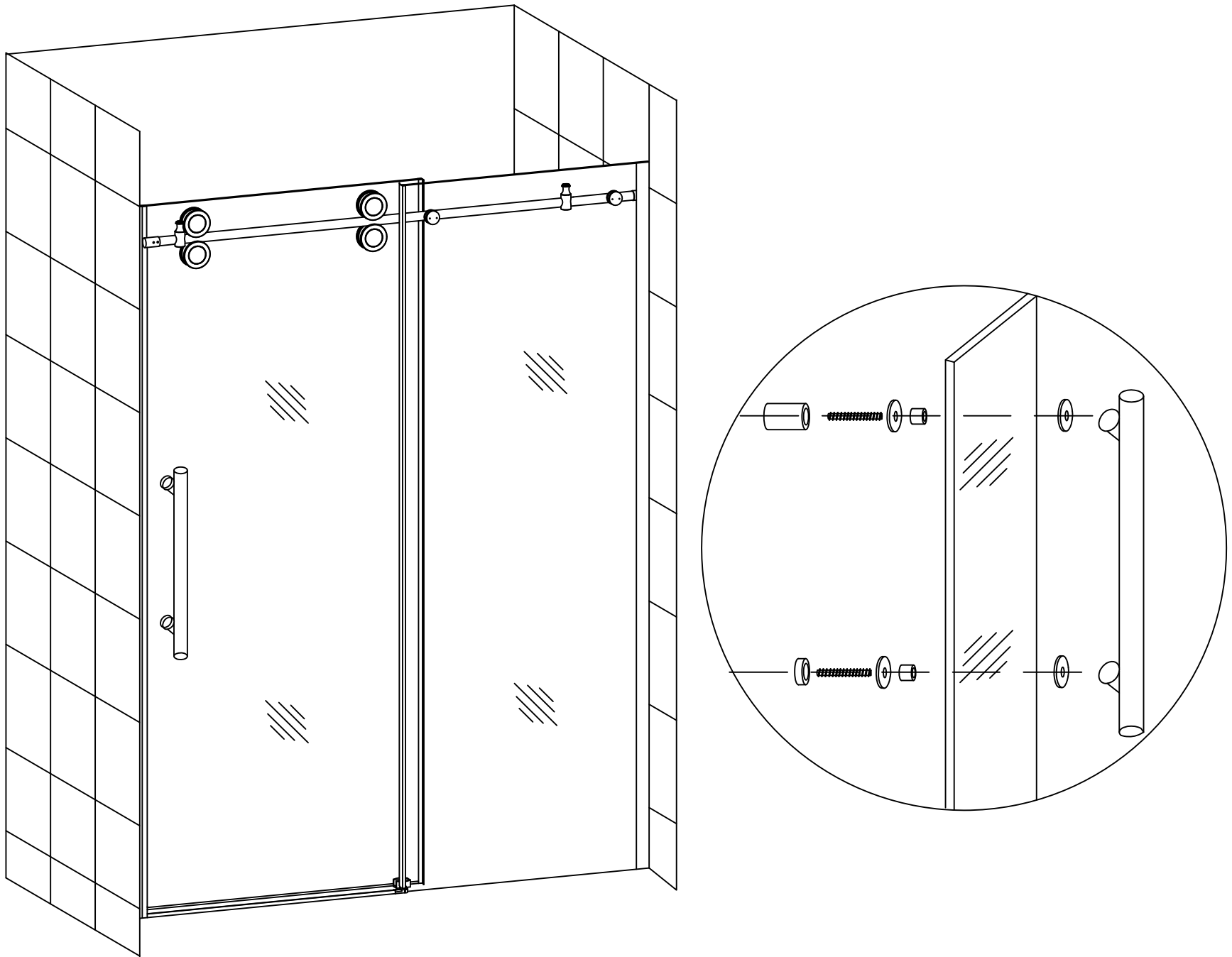


Miter saw or Hacksaw



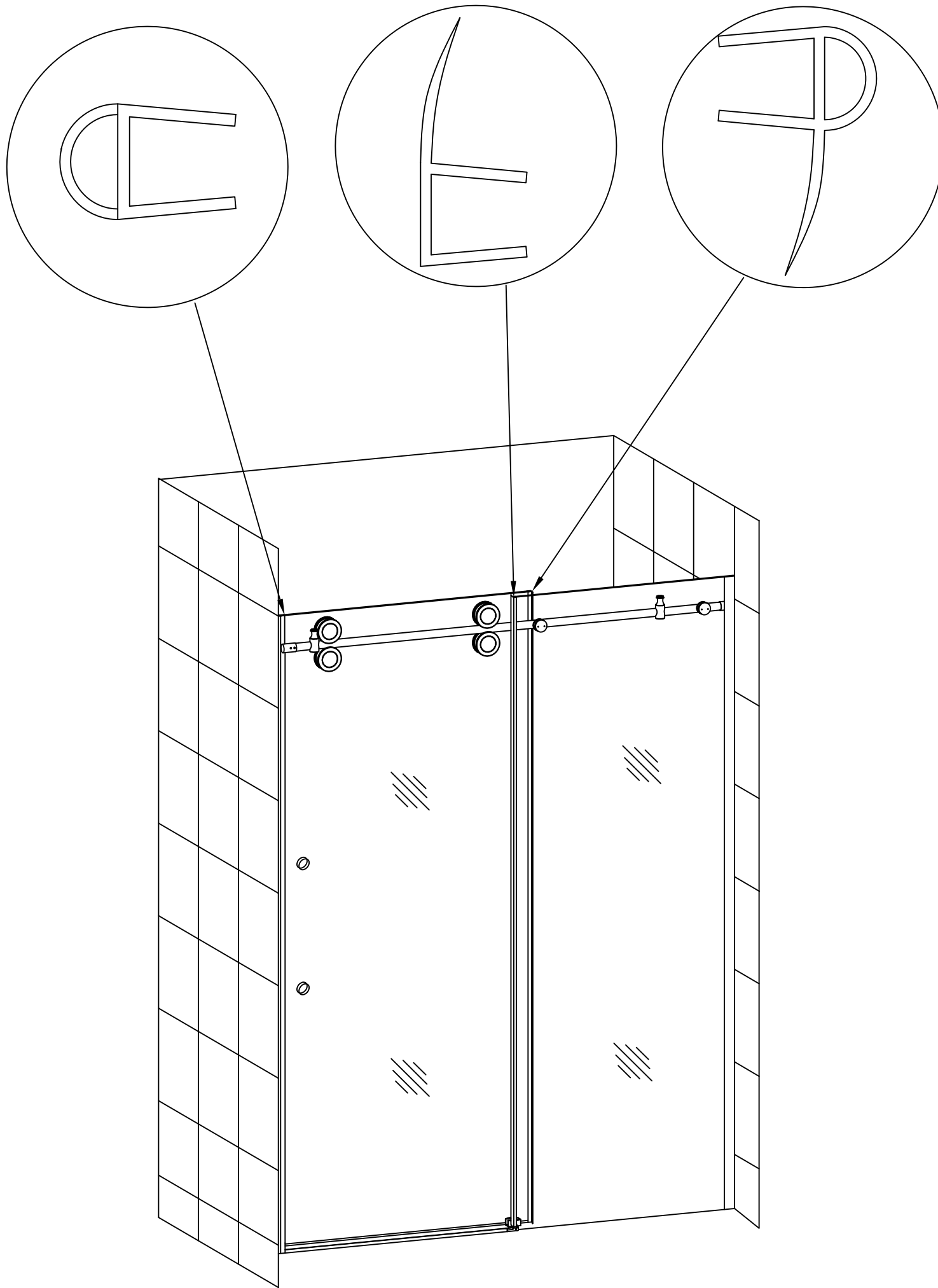
Locate the accessory box and remove the individual screw and hardware packages. Lay them out in sequential order to aid in completing the rest of the installation.

Installing the door handle



Install the door handle (16) using hardware provided. Follow the assembly sequence seen in drawing.

Installing the door seals

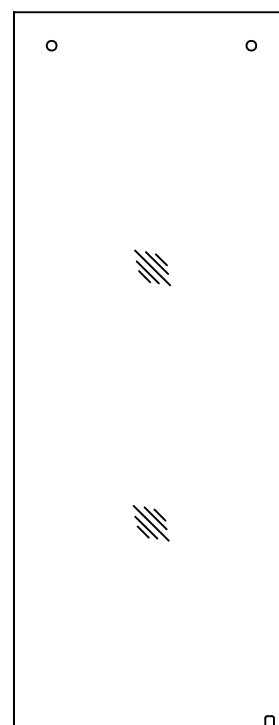
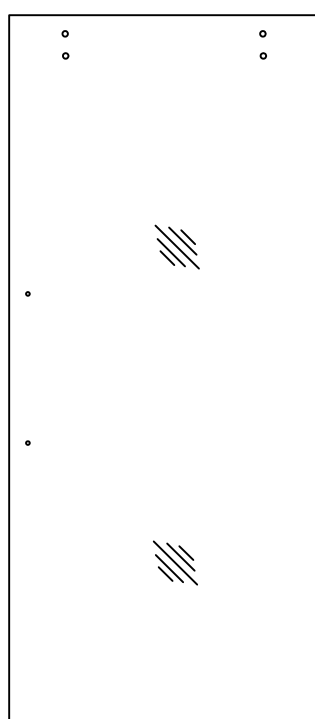
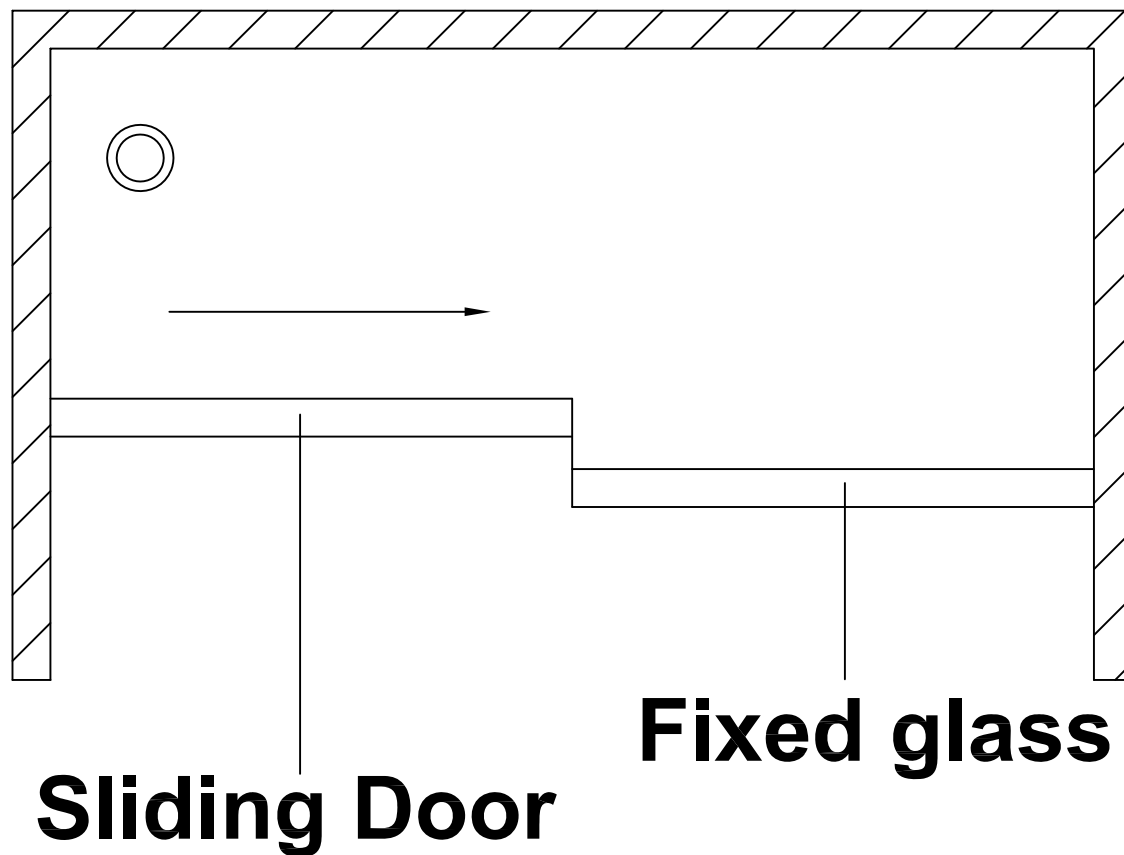


Install the door seals according to the drawing.

Reverse Door opening

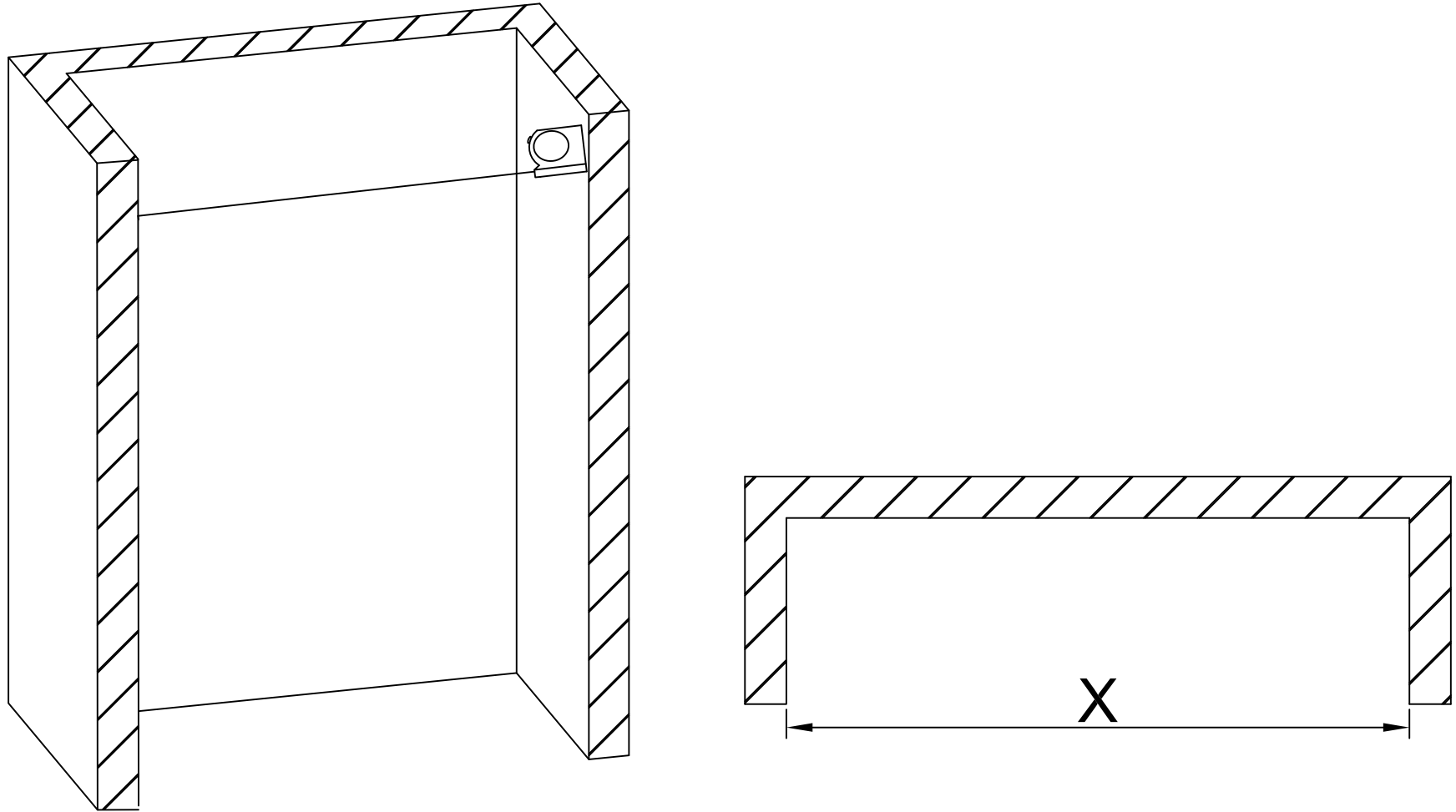
This shower door can be assembled so that the sliding door opens from Left to Right, or Right to Left. The drawings below illustrate the shower door opening from Left to Right.

Note the location of the fixed glass panel for the shower door opening from Left to Right.

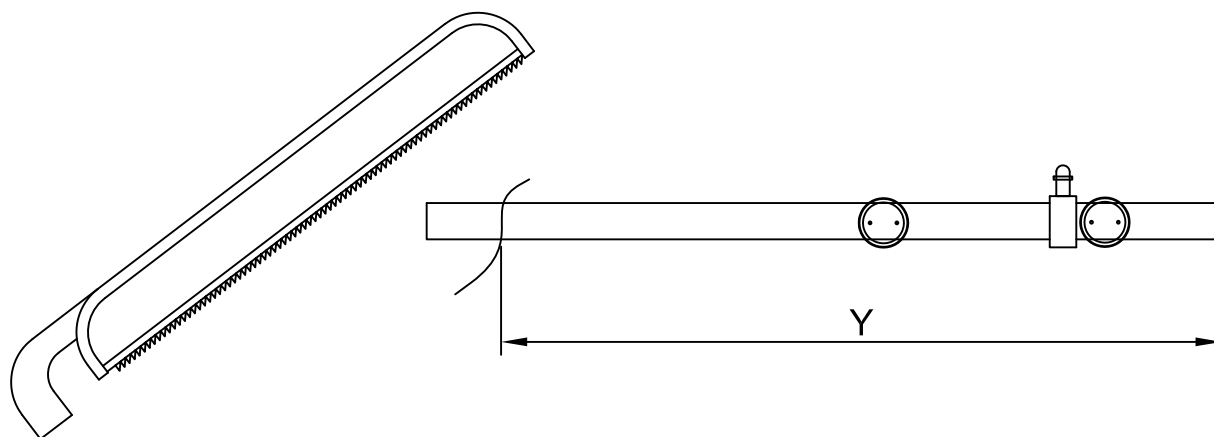


If you wish to install the door opens from Right to Left. Flip the top rail installation so that the Fixed Glass (3) is on the left when installed.

Shower Door Installation



1. Measure the width of the shower opening at the top between the 2 walls. Note this is dimension "X".



The following equation is used to determine the length to be cut from the rail in order to fit the shower opening.

$$Y = X - \frac{5}{8}''$$

2. Measure distance "Y" from the end of the Top Rail (2) with mounting holes and mark the rail.

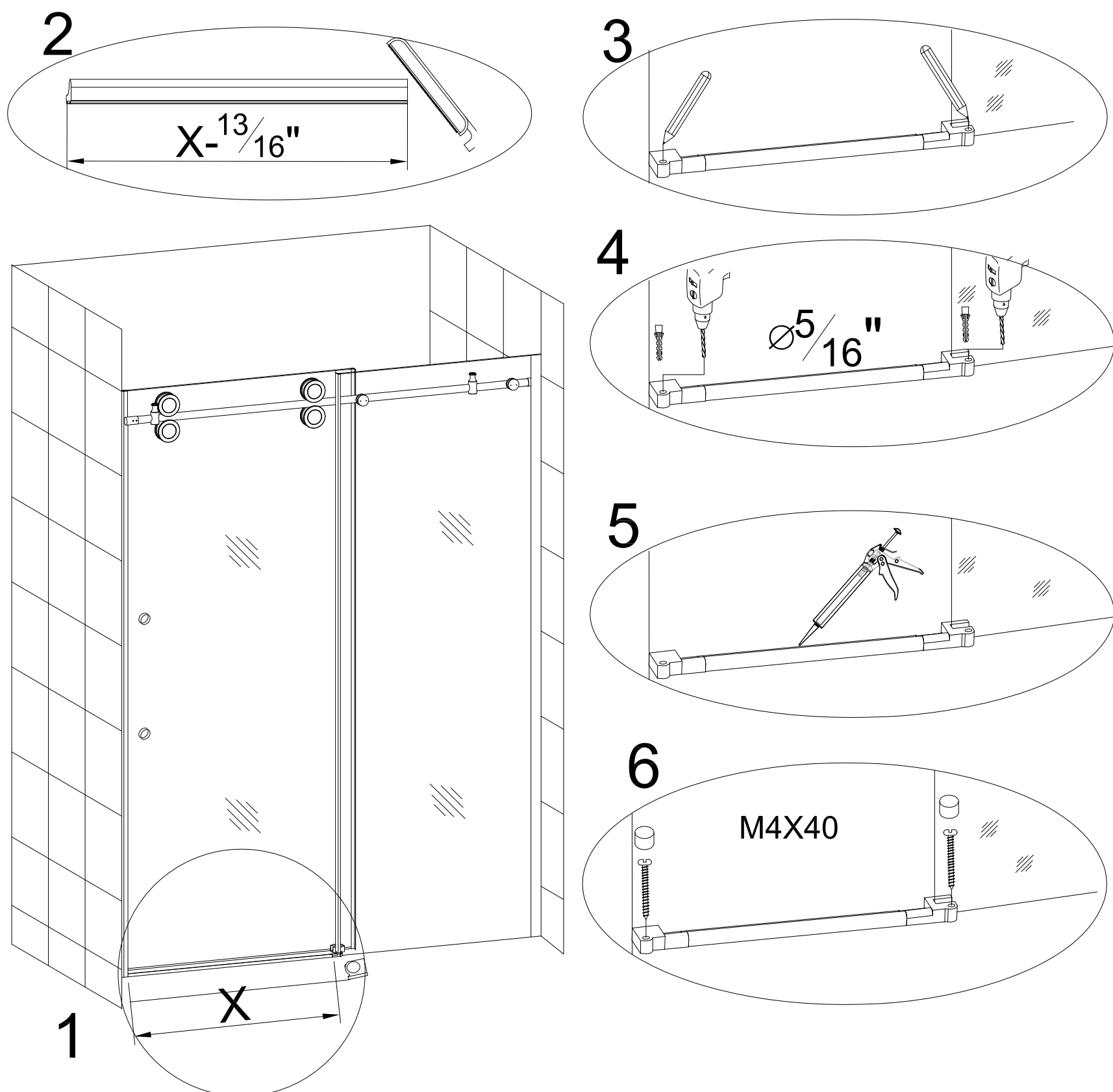
3. Using a Hack saw or Jig saw cut the Top Rail (2) at the mark. Carefully remove any burrs or sharp edges remaining on Top Rail (2) after the cutting.

Note: Don not cut the end of top rail with two (2) holes. Only cut the end of top rail opposite the two (2) holes.

NOTE: If your surface is prone to cracking or chipping then it is recommended that you pilot drill first using a smaller drill bit, and then step up to the final size.

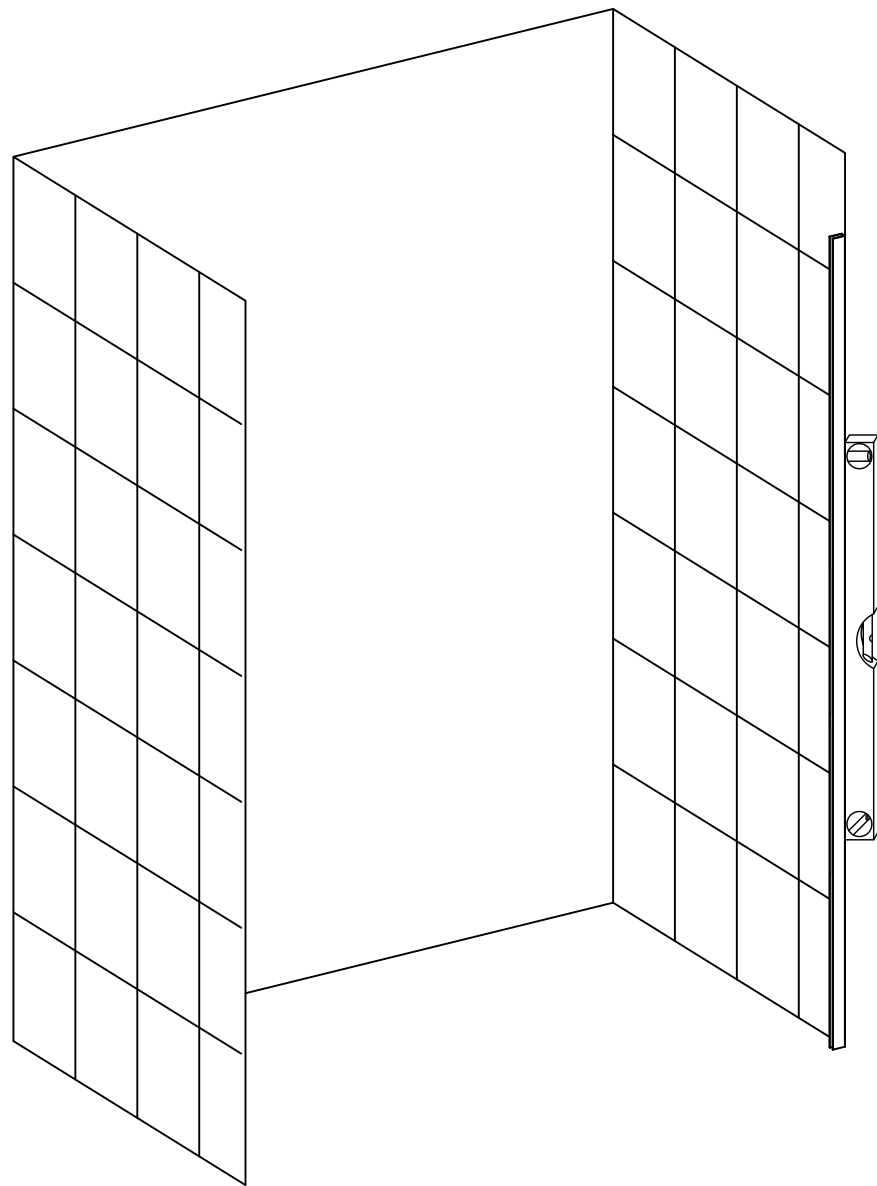
4. Using the appropriate drill bit for your tray surface drill the hole locations with a $\frac{5}{16}$ " diameter drill bit. Repeat for the other side. See figure 4.
5. Add a small amount of silicone sealant to bottom of threshold bar assembly place into position. See figure 5.
6. Using the hardware from screw pack 3 install the threshold bar assembly. See figure 6.

Install the Door Threshold

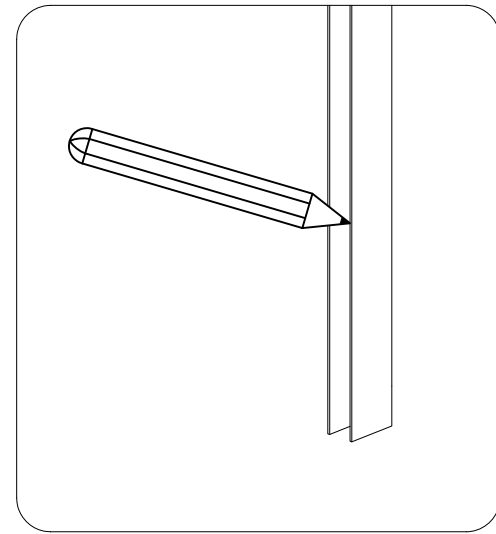


The Door Threshold is used to prevent water from seeping out while bathing. Install the threshold according to these instructions.

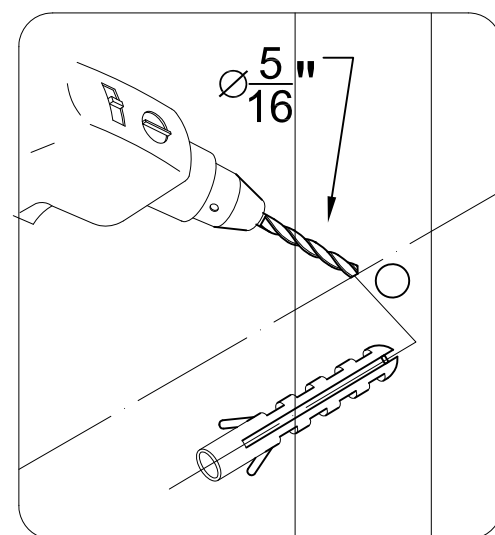
1. Measure the distance between the fixed glass (3) and the shower wall. See figure 1
2. Using a hacksaw cut the threshold bar (11) to fit distance measured between the fixed glass and shower wall. Remove any sharp edges or burrs after cutting threshold bar (11). See figure 2
3. Position the threshold bar (11) to shower base by aligning in door opening with fixed glass (3). Mark the threshold end cap (12) mounting hole locations. See figure 3



1



2



3



NOTE:

Please check with a level and be sure that the Vertical channel is absolutely plumb.

1. Mark the position on the wall channel.

2. Using the appropriate drill bit for your wall surface drill each hole location with a 5/16" diameter drill bit.

Install the plastic Wall Anchors provided into the drilled holes on wall surface.

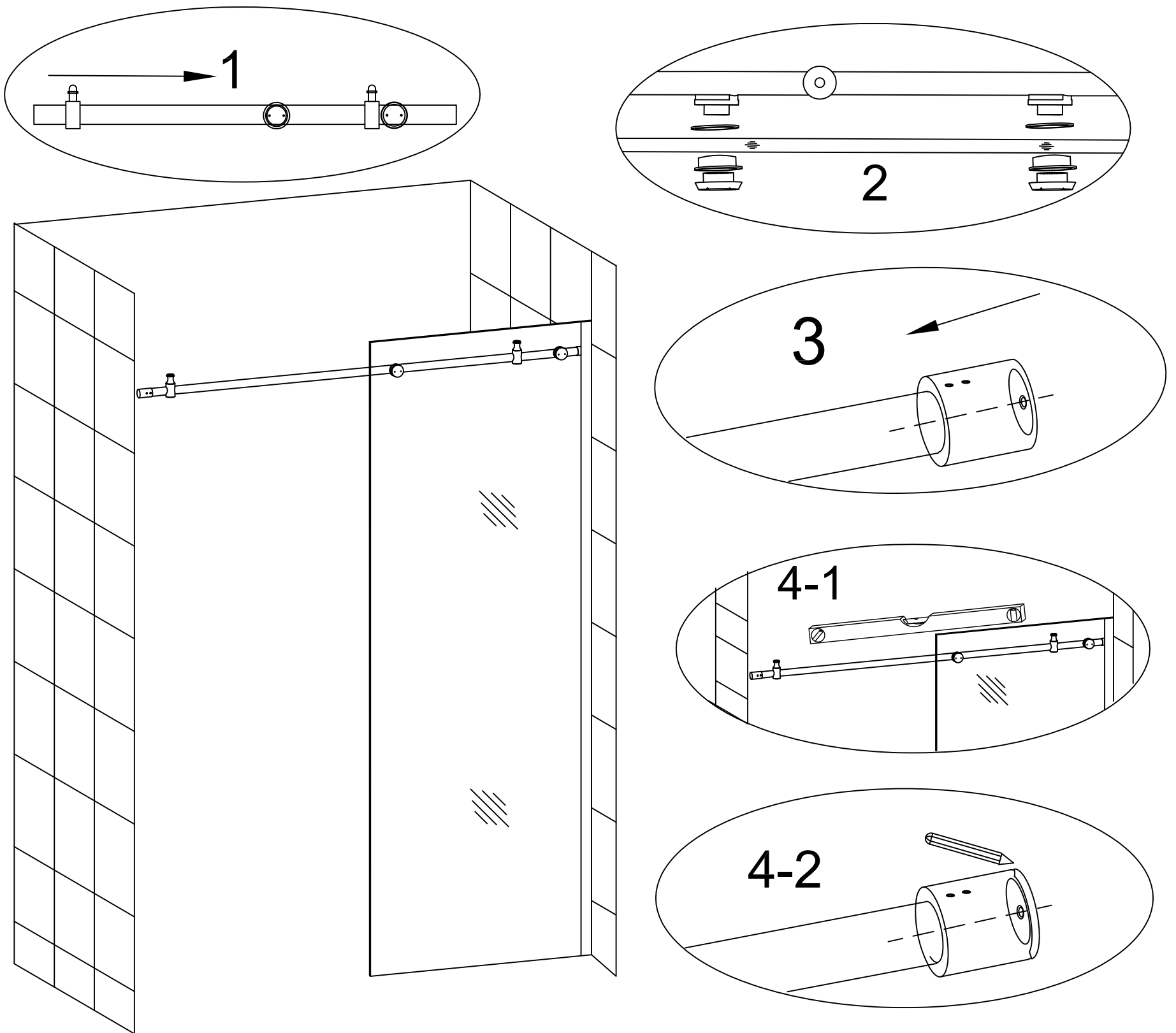
3. Install the Vertical channel(7) to the wall using M4x40 Screws.

Mark the Top Rail Location

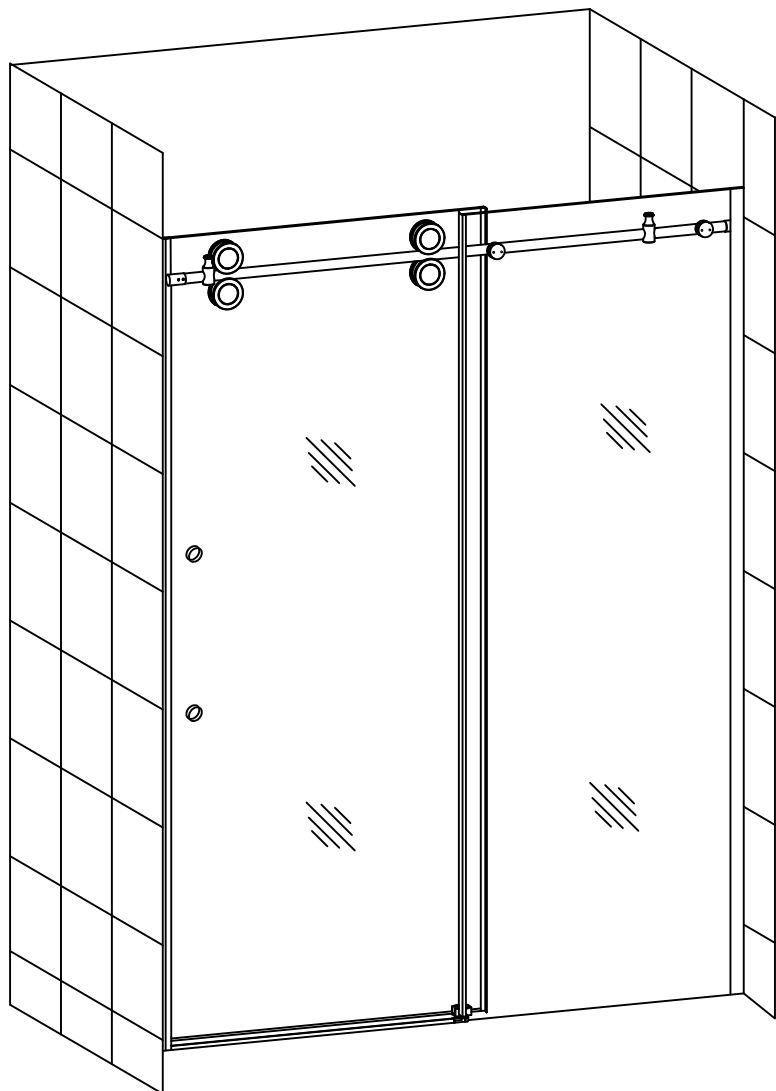
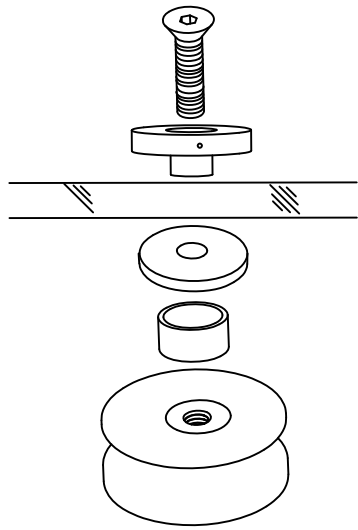
ATTENTION: A minimum of two people are required for the next assembly steps.

Pre-assembly the top rail (2) onto the fixed glass (3) to locate the mounting points on the wall to your desired location.

Painters tape or masking tape in the general location of the of the final installation will aid in marking the wall and floor.



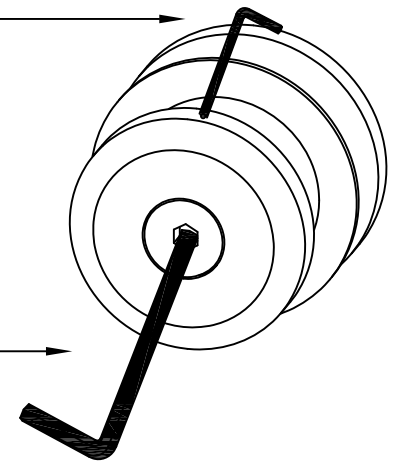
Hanging the Door



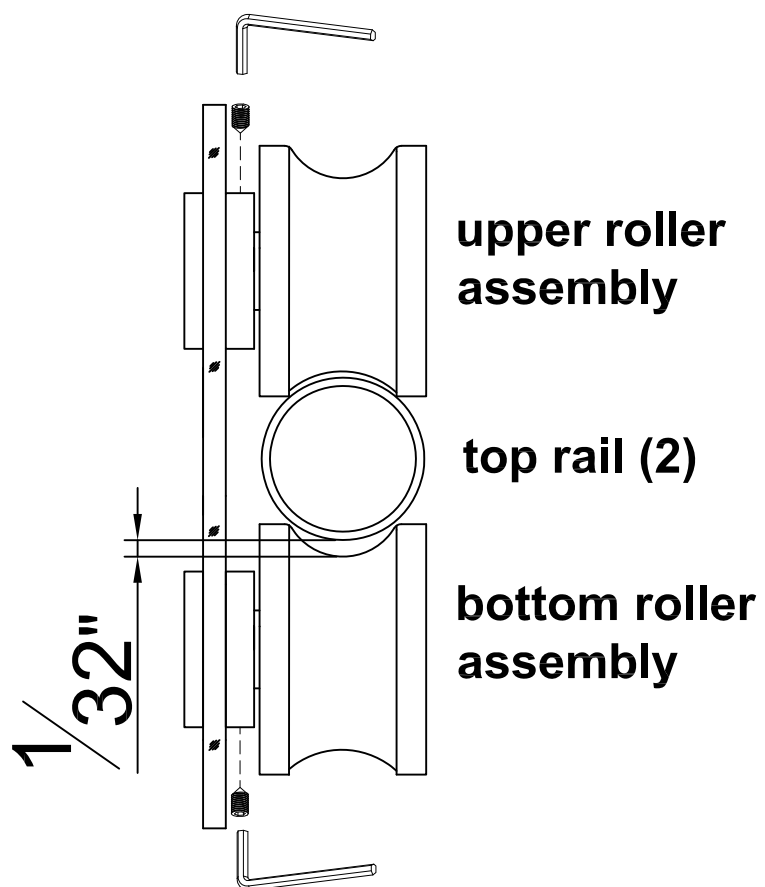
ROLLER CAM ADJUSTMENT

Rotate the outer edge of roller assembly using the small hex,

while holding the large hex wrench in place.



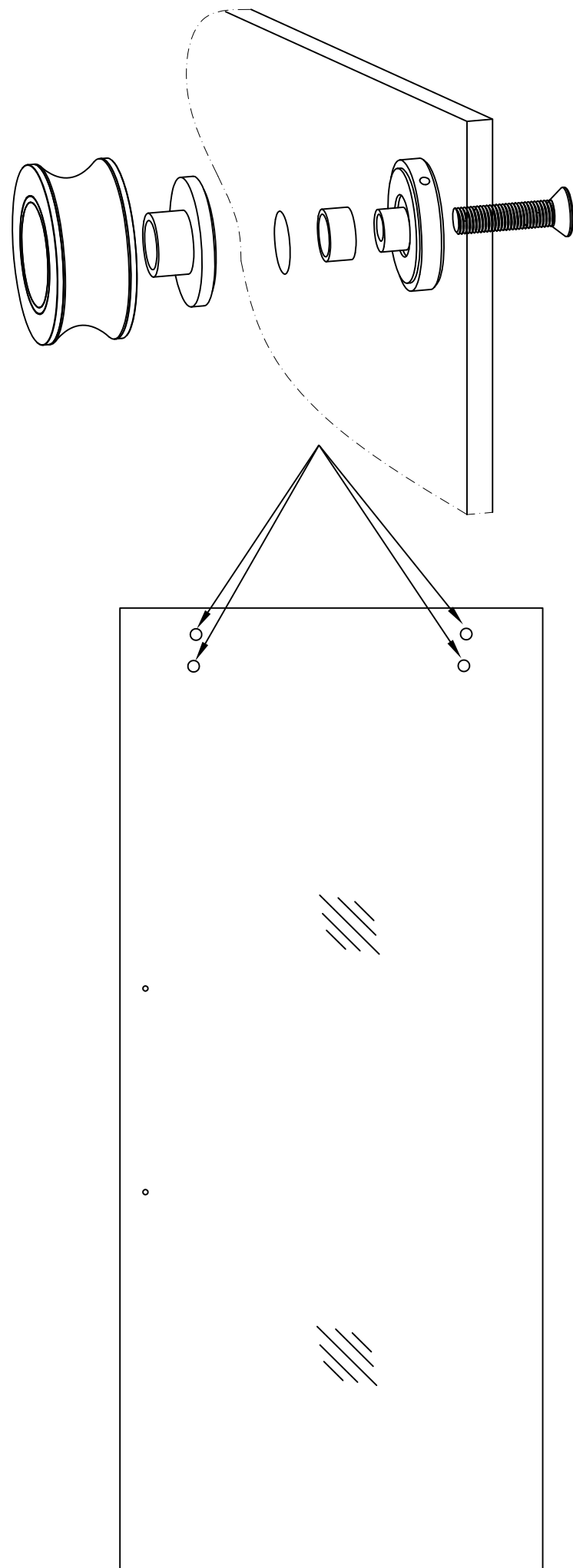
End View



Suspend the sliding door (4) on the top rail (2). Slide the bottom edge of sliding glass door (4) into the groove of the sliding door track divider (8). Adjust the upper roller assemblies (9) to insure the bottom edge of sliding glass door (4) does not touch the bottom sliding door track divider (8). See roller cam adjustment drawing for details. (The rollers for this unit have a built in cam adjustment to adjust the plumb of sliding door. Locate the small hole in outside edge of roller assembly and insert a small hex wrench into hole opening. Next using the hex wrench for roller assembly slightly loosen the roller wheel assembly. Now holding the hex wrench in place rotate the outer edge of roller assembly using the small hex wrench inserted into small hole opening in outer edge of roller assembly. This will move the roller cam to offset any minor adjustments for sliding door out of plumb. All 4 rollers on this unit can be adjusted as describe above).

Install the bottom roller assemblies (9) on the sliding door (4) to secure the sliding glass door (4) to top rail (2). Adjust the bottom roller assemblies (9) to a gap of $1/32$ ". This gap is a starting gap, check that the sliding door rolls smoothly along the top rail. Make adjustments if needed.

Install Wheel Rollers onto the Door



Assemble the upper roller assemblies (9) onto sliding door (4) as seen in figure1

Note: The door handle mounting holes should be positioned to left. The upper roller assemblies (9) will be on the outside of sliding door (4). The sliding door should be to the inside of shower area.

1. Slide door stopper (1) onto end of top rail (2) See figure 1. The bumpers on door stopper (1) should be positioned on the top of top rail for final installation. Note: One door stopper comes pre-assembled on top rail between fixed glass bolt assembly. See figure 1.
2. Position the top rail (2) and fixed glass (3) as shown in figure 2 and connect fixed glass (3) to top rail (2) following the assembly sequence shown in figure 2. Note in figure 2, one door stopper (1) should be positioned between mounting holes in top rail (2) before connecting top rail to fixed glass.

NOTE: TOP RAIL IS ATTACHED TO THE INSIDE OF FIXED GLASS .

3. Slide the rail end assembly (5) (6) on to end of top rail (2) to be connected shower wall. Loosely tighten the rail end assembly (5) into place on top rail (2) making sure the rail end assembly is fully engaged on top rail. See figure 3. Repeat for the other side.
4. Position the top rail fixed glass assembly into place in your shower.

NOTE: THE TOP RAIL ATTACHED TO FIXED GLASS SHOULD BE POSITIONED TO INSIDE OF SHOWER.

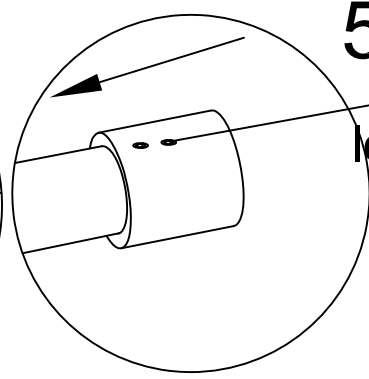
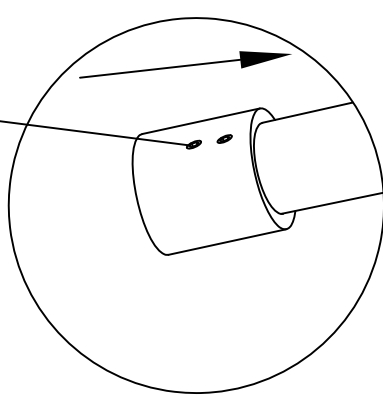
Using a level, verify the top rail (2) is horizontal and the fixed glass (3) is plumb. See figure 4-1.

Using a pencil, mark the rail ends onto the wall. See figure 4-2.

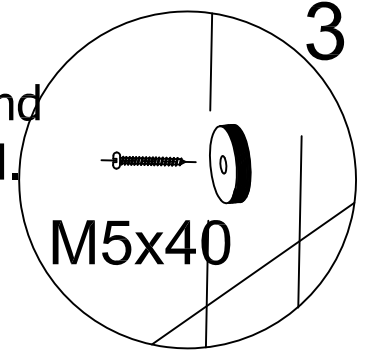
NOTE: If your surface is prone to cracking or chipping then it is recommended that you pilot drill first using a smaller drill bit, and then step up to the final size.

Top Rail Assembly To Shower

The set screw locations in rail end are not centered. Assemble per drawing.

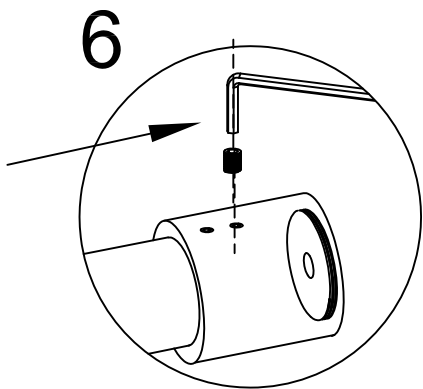


5 The set screw locations in rail end are not centered. Assemble per drawing.

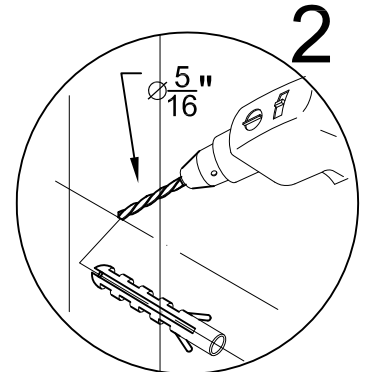


3

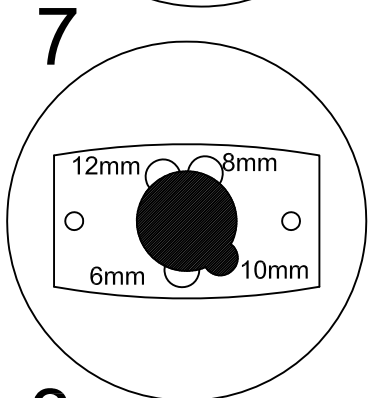
M5x40



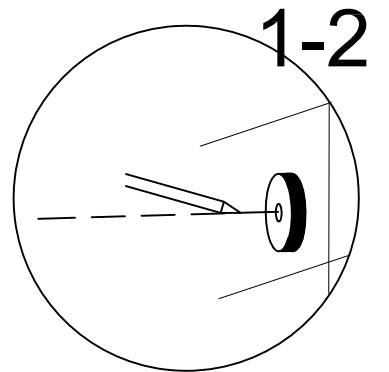
6



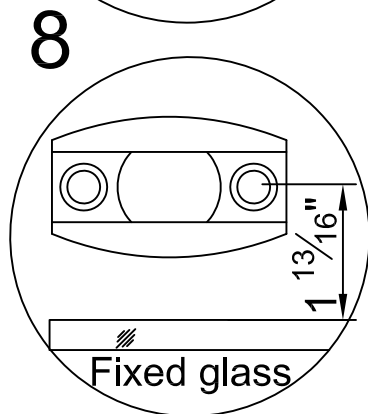
2



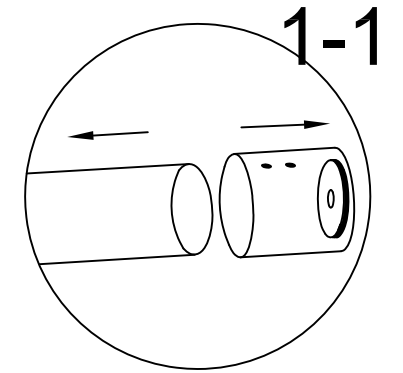
7



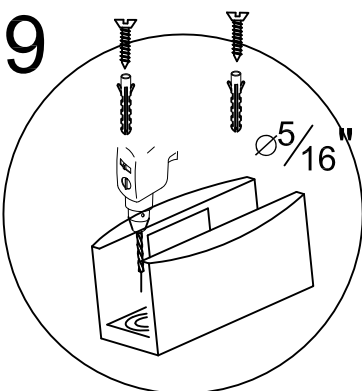
1-2



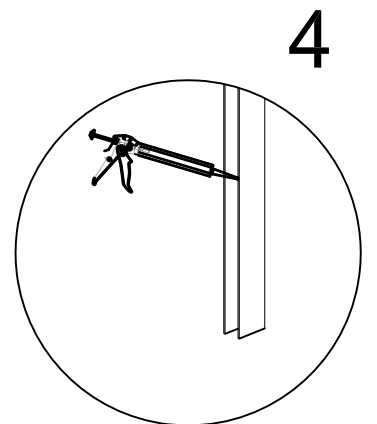
8



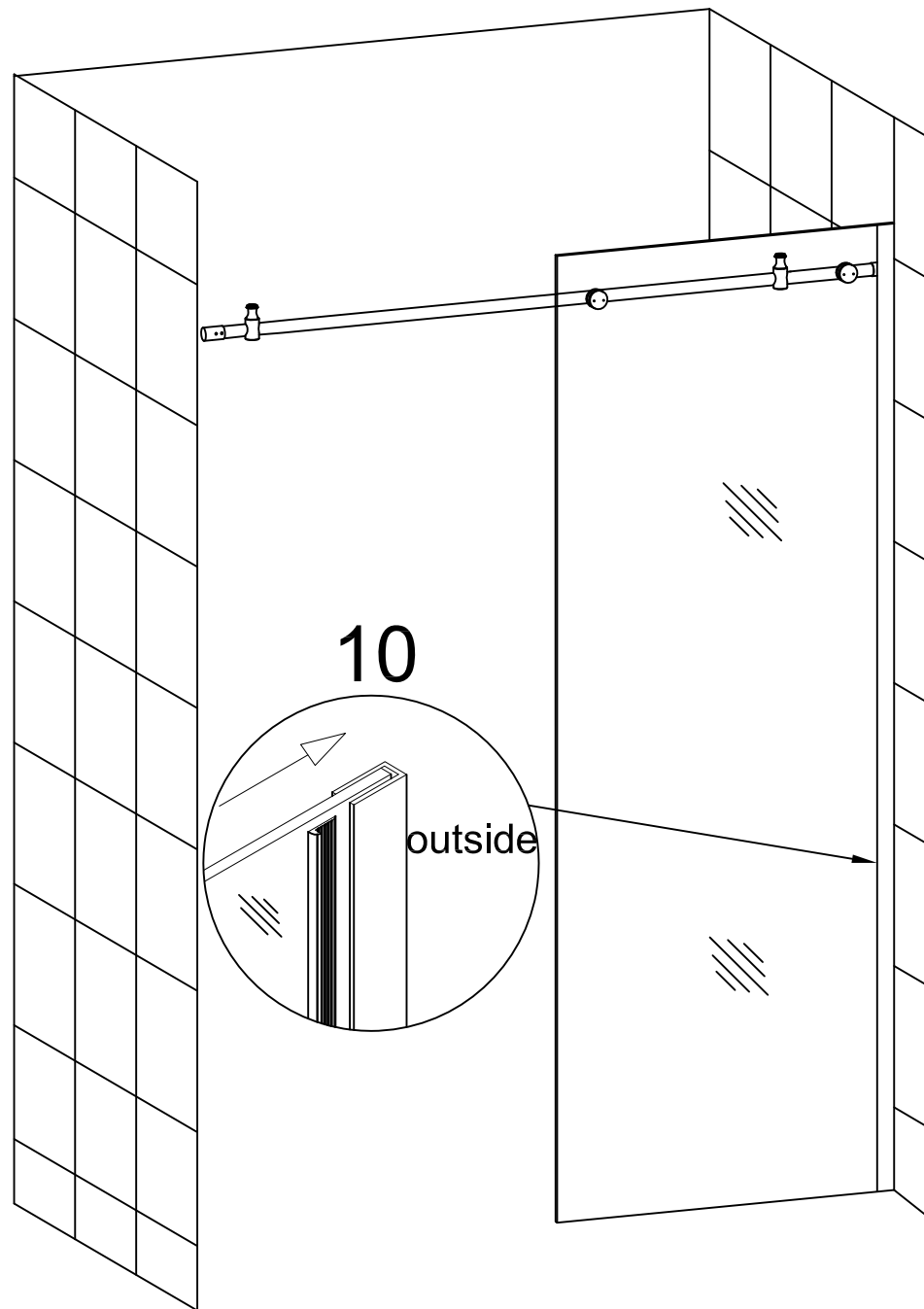
1-1



9



4



10

outside

1. Loosen set screws in both rail ends (5) and remove from top rail (2). See figure 1-1. Next remove wall mounts (6) from both rail ends (6). Position wall mounts (6) onto marked location on shower wall and mark pilot hole drilling location. See figure 1-2.

NOTE: If your surface is prone to cracking or chipping then it is recommended that you pilot drill first using a smaller drill bit, and then step up to the final size.

2. Using the appropriate drill bit for your wall surface drill the hole locations with a 5/16" diameter drill bit. Install the plastic anchors provided into the drilled holes. Repeat for the other side. See figure 2
3. Attach wall mounts (6) to wall using M5 x 40 screws from Screw Pack 1 . Repeat the installation of wall mounts for other side. See figure 3.
4. Set properly check for level and plumb and then apply a small neat bead of 100% clear silicone to the inside bottom of the Vertical . See figure 4.

ATTENTION: A minimum of two people are required for the next assembly steps.

5. Slide rail ends (5) onto top rail (2) and loosely tighten into place. Note: The set screws in rail end are not centered, and one of rail end is threaded. The rail ends (5) should be installed on top rail (2) so that threaded end of rail end (5) is facing outward. See figure 5.
6. Position the top rail/fixed glass assembly into the Vertical U-channels. Loosen set screws in rail end (5). Next screw rail end (5) onto wall mount (6) and tighten. Repeat on other side. See figure 6.
7. Insure plastic sliding door glide is in place in underside of sliding door track divider (8) and positioned to proper location for 10mm glass thickness. See figure 7.
8. Position the sliding door track divider (8) into position as seen in figure 8 and mark the 2 shower base hole positions. **Note: In drawing 8 the hole locations for attaching sliding door track divider should be 1 13/16" from edge of fixed glass. See details in figure 8.**

NOTE: If your surface is prone to cracking or chipping then it is recommended that you pilot drill first using a smaller drill bit, and then step up to the final size.

9. Using the appropriate drill bit for your tray surface drill hole locations with 5/16" diameter drill bit and install the plastic anchors provided into the drilled holes. Position the sliding door track divider (8) over drilled holes, and secure sliding door track divider (8) to floor using hardware in screw pack 2. See figure 9.
10. Install U-channel Seal (20) to Fixed Glass (3). See figure 10.