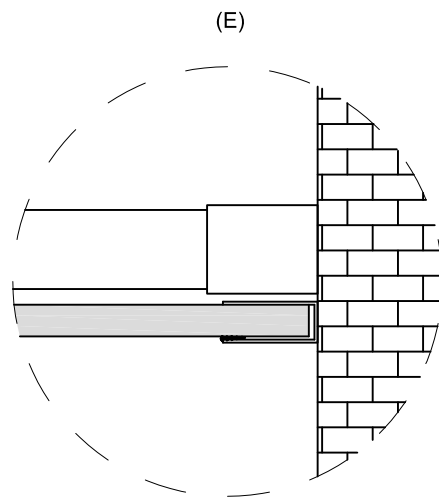
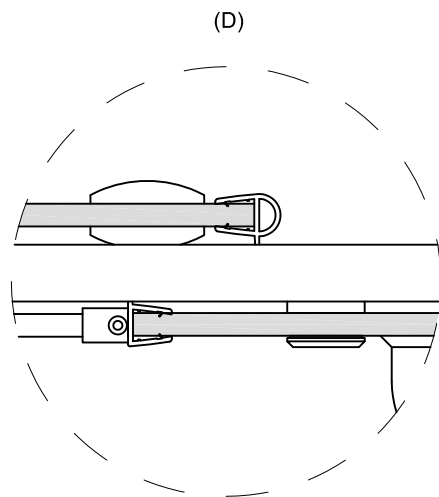
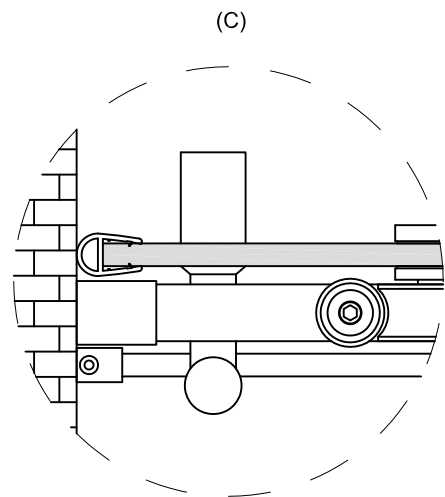
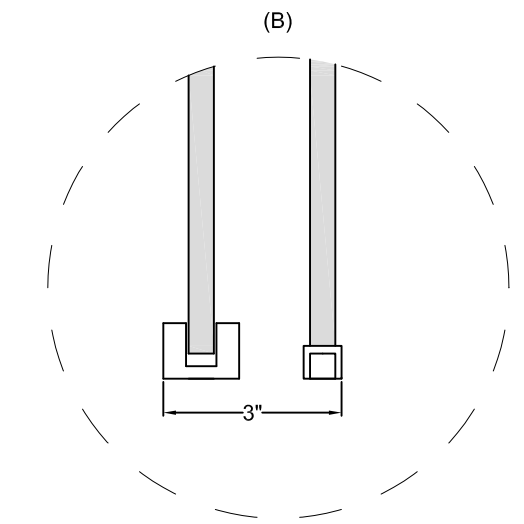
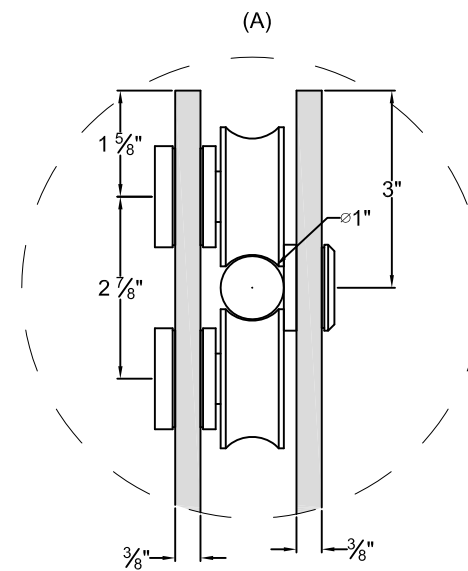
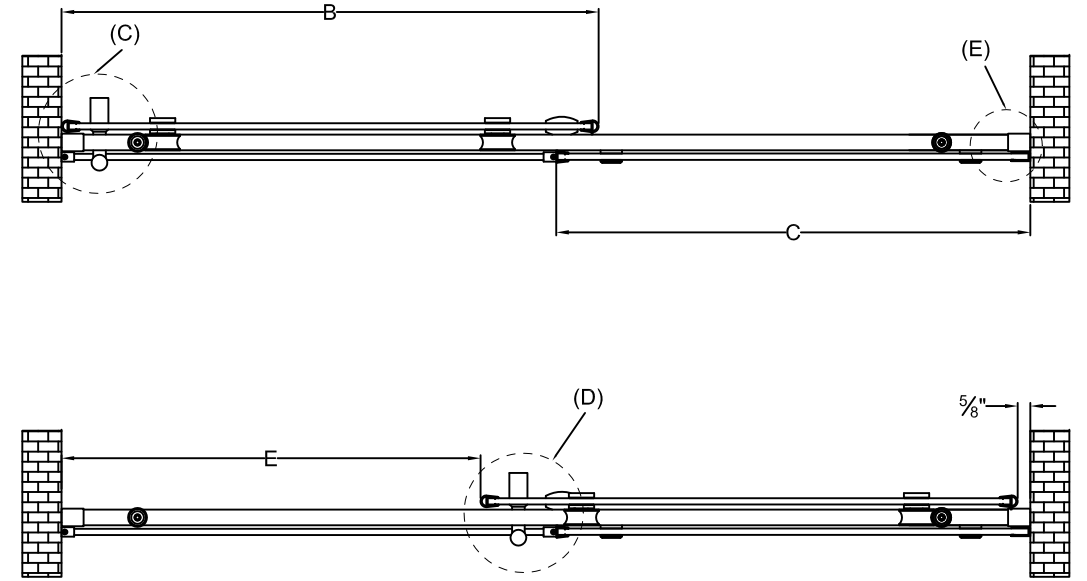
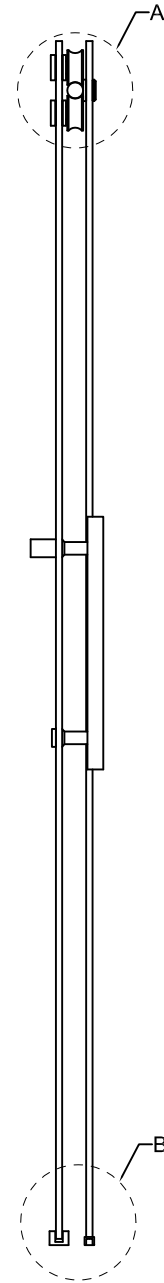
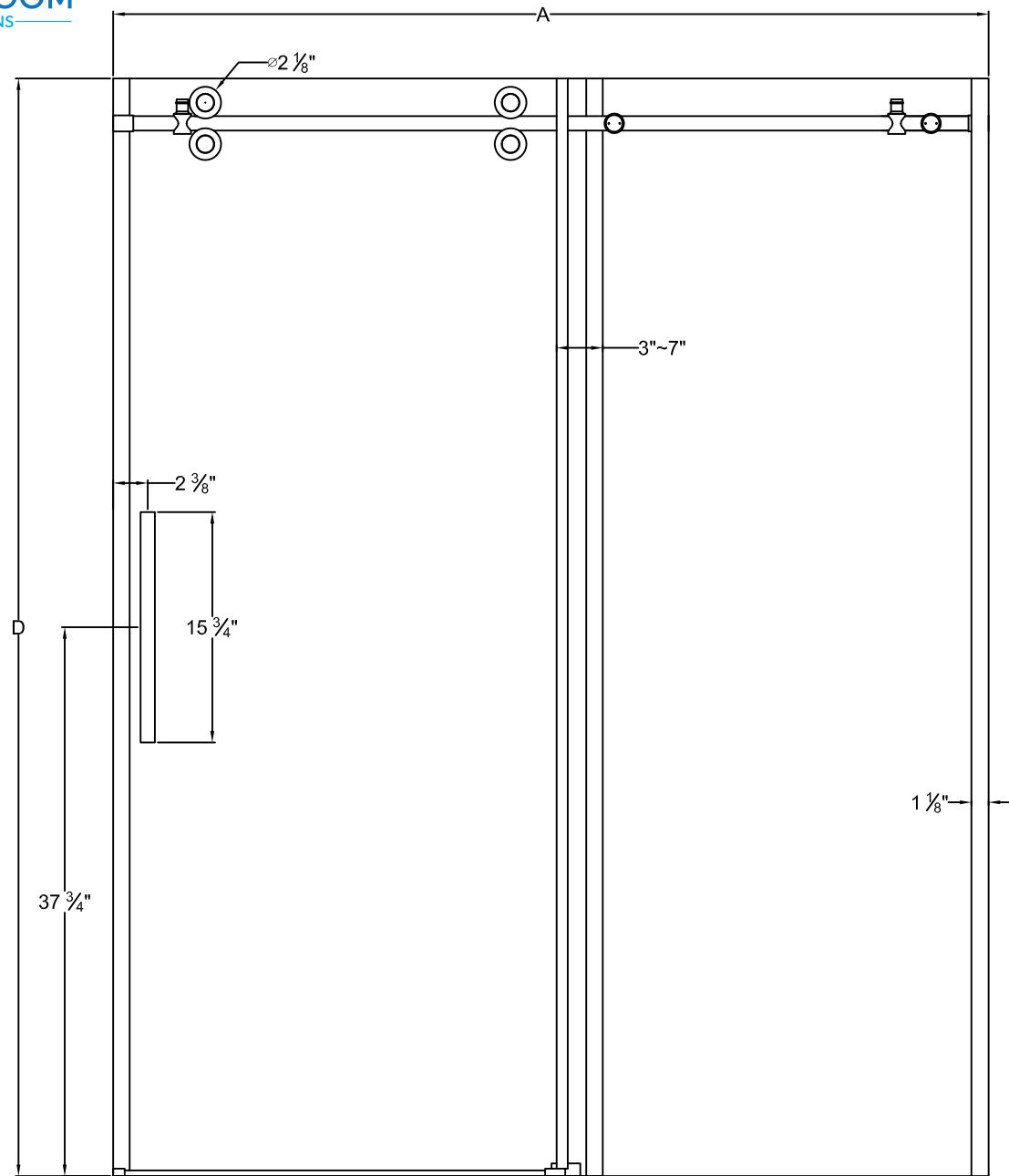


Modèle	Ouverture murale (A)	Panneau de porte (B)	Panneau fixe (C)	Hauteur (D)	Ouverture d'entrée approx. (E)
S78-10-48	44" to 48"	27 7/8"	23 1/4"	75"	15 7/8" to 19 1/8"
S78-10-60	56" to 60"	33 1/2"	29 1/2"	75"	21 7/8" to 25 7/8"



Model	Wall opening (A)	Door panel (B)	Fixed panel (C)	Height (D)	Approx. Entry opening (E)
S78-10-48	44" to 48"	$27 \frac{7}{8}"$	$23 \frac{1}{4}"$	75"	$15 \frac{7}{8}"$ to $19 \frac{7}{8}"$
S78-10-60	56" to 60"	$33 \frac{1}{2}"$	$29 \frac{1}{2}"$	75"	$21 \frac{7}{8}"$ to $25 \frac{7}{8}"$