

# Specifications

## OPERATION

- Thermostatic function, keep the temperature at 38 Celsius degree
- Adjustable temperature, hot temperature maximum 56 Celsius degree, cold temperature minimum 15 Celsius degree, which is related to local water system

## FLOW

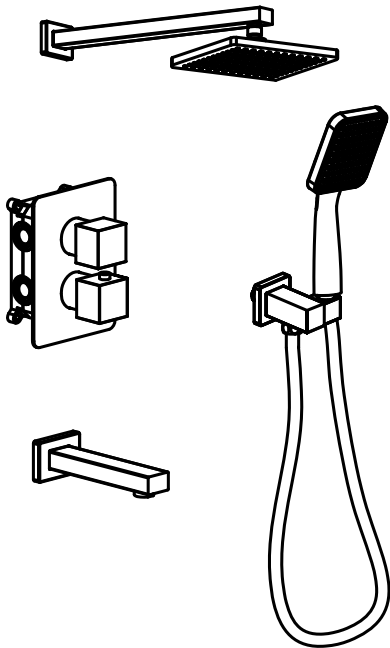
- Showerhead is limited to 2.5gpm(9.5L/min) at 80psi
- Handheld shower is limited to 2.5gpm(9.5L/min) at 80psi
- Bathtub spout is minimum to 2.4gpm(9.0L/min) at 20psi

## CARTRIDGE

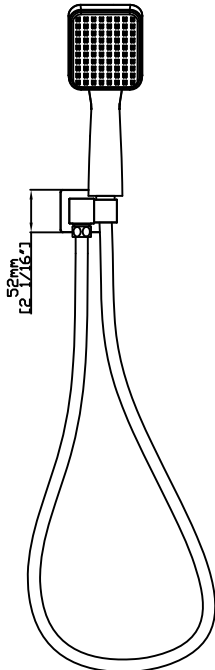
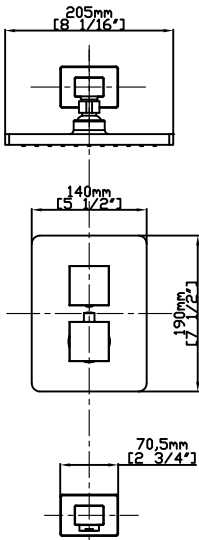
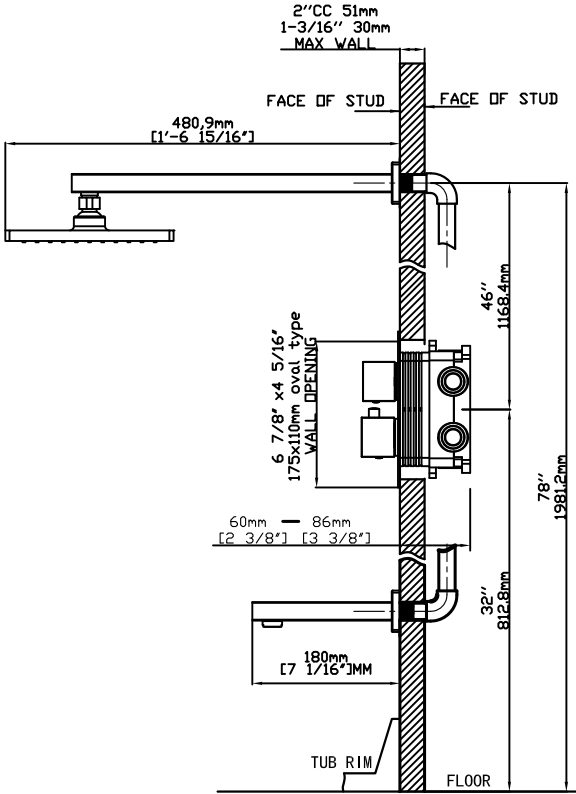
- Thermostatic cartridge

## STANDARDS

- Third party certified to meet ASME A112.18.1 all applicable requirements referenced therein



Three Function Concealed Shower Set



Note: Dimensions are for reference only. Detailed information is in accordance with the final product.