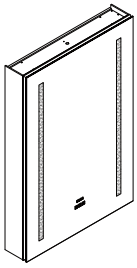
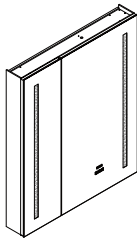


Medicine Cabinet Installation Instruction



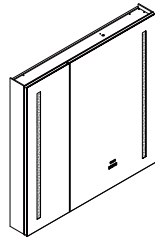
24"

(AL-2436-LED)



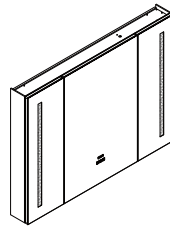
30"

(AL-3036-LED)



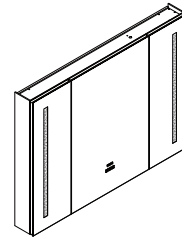
36"

(AL-3636-LED)



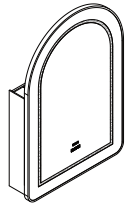
40"

(AL-4030-LED)



48"

(AL-4830-LED)



24"

(MC-2436LED-ARCH)

IMPORTANT SAFETY INSTRUCTIONS

When using an electrical furnishing, basic precautions should always be followed, including the following:

⚠ WARNING: Use this furnishing only for its intended use as described in these instructions. Do not use outdoors or insert objects into any opening. Avoid using attachments not recommended by the manufacturer to reduce risk of injury.

⚠ WARNING: Risk of electric shock. Connect this furnishing to a properly grounded circuit only. See grounding instructions.

⚠ CAUTION: Maximum shelf load 34lbs/15.4kg.

ELECTRIC CONNECTIONS

All wiring should be done by a qualified licensed electrician.

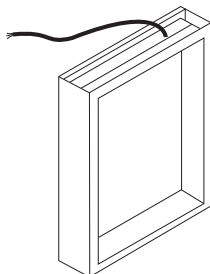
⚠ WARNING: Shut off power before wiring the cabinet. Requires 120 VAC 20 Amp GFI protected Circuit.

GROUNDING INSTRUCTIONS

⚠ CAUTION: Connect this product to a grounded metal permanent wiring system. Alternatively, run an equipment-grounding conductor with the circuit conductors. Connect this conductor to the equipment grounding terminal on the product.

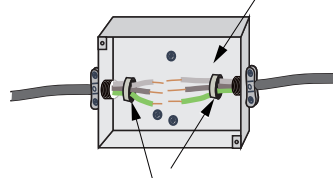
⚠ WARNING: This cabinet requires a 20 Amp GFI (Ground Fault Interrupter) protected circuit in bathrooms. Ensure wiring complies with the National Electric Code for all installation locations.

The electric wire comes through the access hole on the top of the cabinet. Please refer to the actual product for the exact location of the access hole.

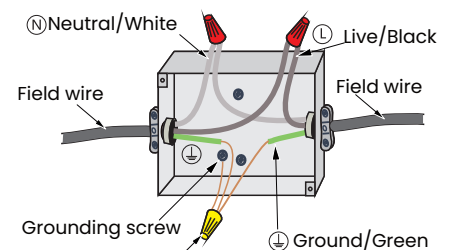


Make connection with Junction box. | Neutral to white. | Line to black. | Ground to green.

Using wire connector caps.






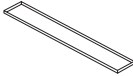


★Junction box is not included★



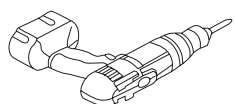
Wire connector caps
★ (not included) ★

HARDWARE AND TOOLS

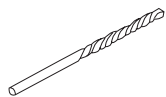
Hardware

N.O		Draw	QTY (pcs)
A	Mounting bracket		2
B	Hardware screw		5-12
C	Glass side panel		2
D	Glass shelf		3
E	Shelf support bracket		6
F	Wall plug		5-12

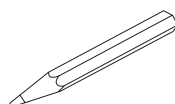
Tools (not included)



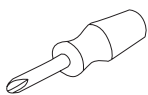
Electric drill



1/8" Drill Bit



Pencil or Marker



Screw Driver



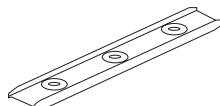
Silicone



Tape Measure



Toothless flat nose plier

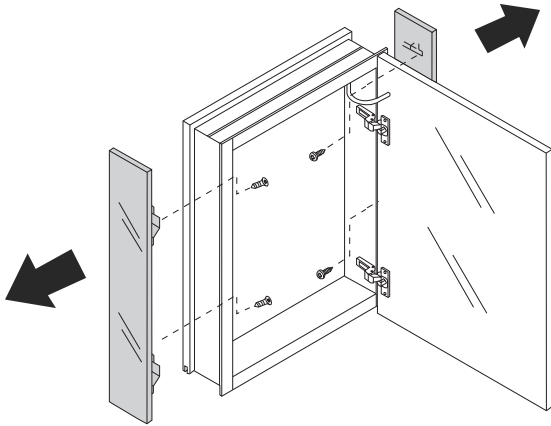


Level

PRIOR TO MOUNTING

★ Remove the Door(s) prior to mounting your Cabinet(s) ★

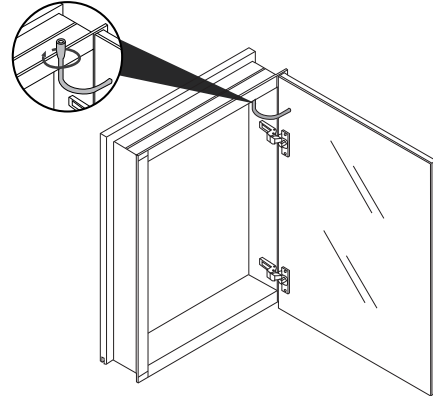
1



⚠ For recess mount only!

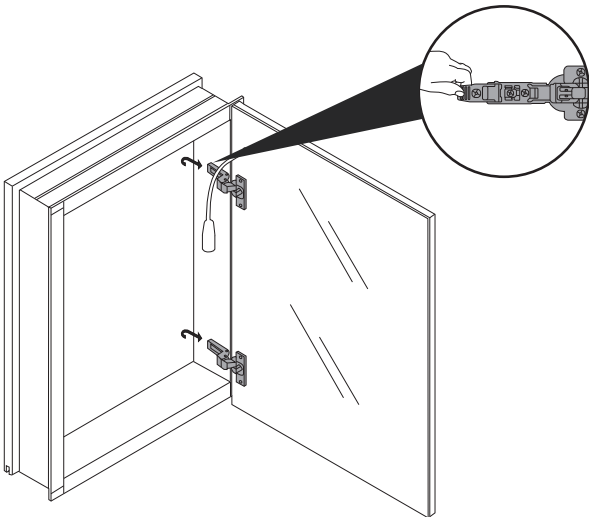
Carefully remove side mirror panels for recess mount installation.

2



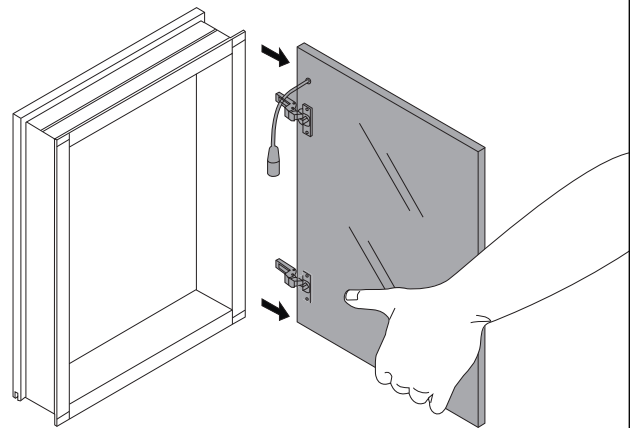
Remove door(s) prior to mounting your cabinet. Start with unplugging the door from the cabinet.

3



While supporting the door release (the lever under the hinge arm), slide the door off the frame.

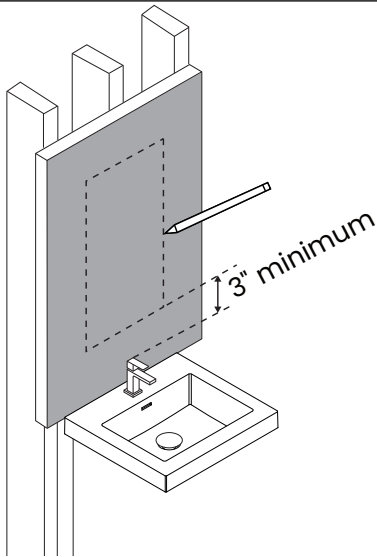
4



Take off the door(s) carefully and lay it down on a safe area.

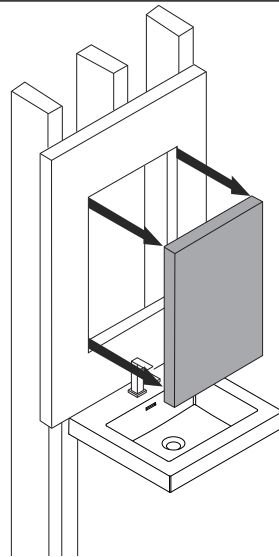
RECESS MOUNT INSTALLATION CONTINUED

1



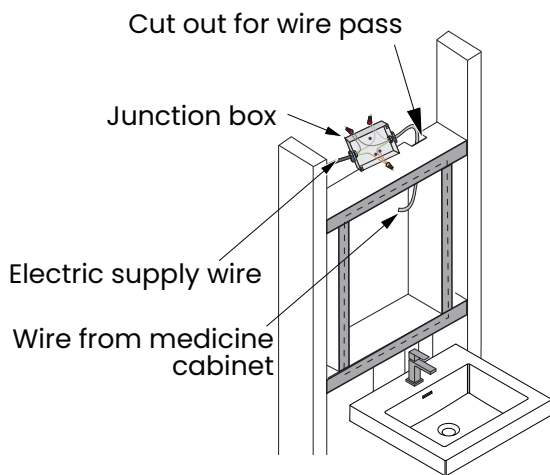
Draw the perimeter of the cabinet on the wall.

2



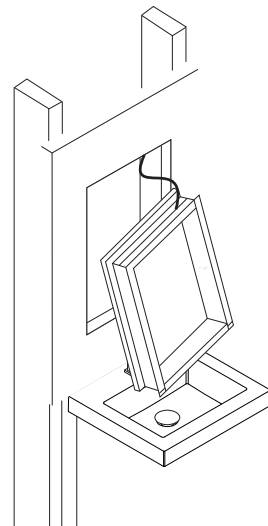
Cut the marked perimeter with suitable tool.

3



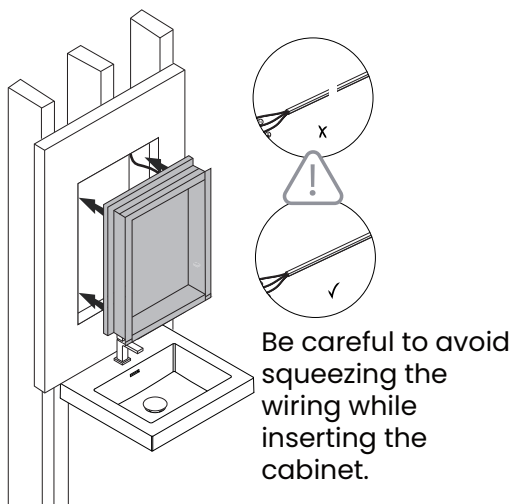
Frame the opening for the cabinet based on the measurements.

4



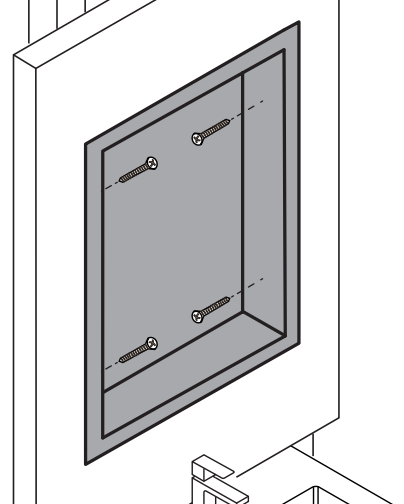
Connect electrical wires before inserting the cabinet into the opening.

5



Position cabinet in cut out opening.

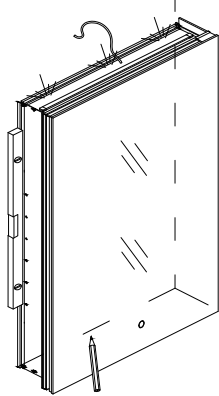
6



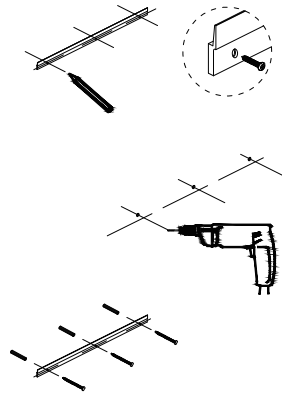
Affix using hardware screws into the studs.

SURFACE-MOUNT INSTALLATION

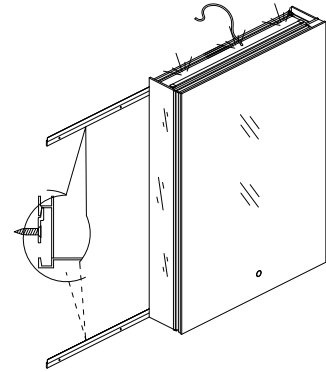
1



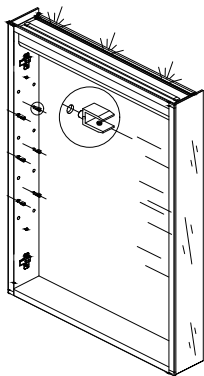
2



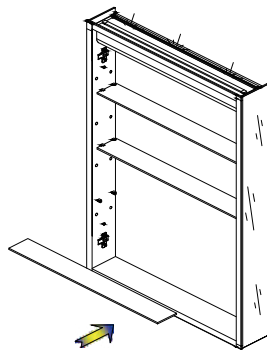
3



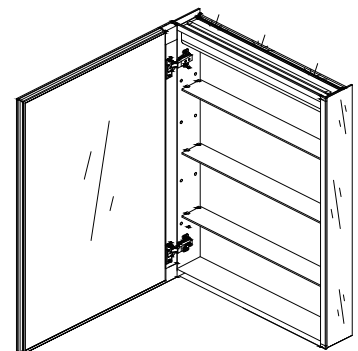
4



5



6



1. Remove the door prior to mounting your cabinet. Position the cabinet on the wall, level it, and mark the pre-drilled holes.

2. Install the brackets in the horizontal position using the anchor and screw.

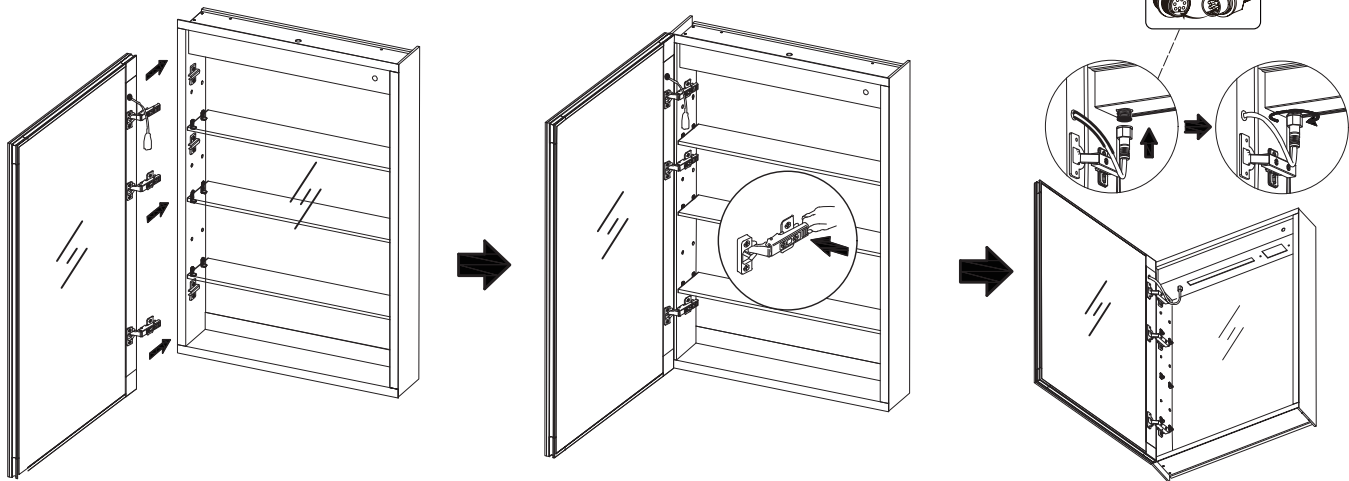
3. Lift the medicine cabinet and securely fasten in the groove, make sure the medicine cabinet is leveled.

4. Insert the provided shelf clips into the round holes on both sides of the cabinet.

5. After installing the shelf clips, insert the glass shelves.

6. Slide the doors into place by pinching the end of the hinge, plug the door into the cabinet.

MIRROR DOOR INSTALLATION



1. Slide the doors into place by pinching the end of the hinges.

2. Plug the door into the cabinet.

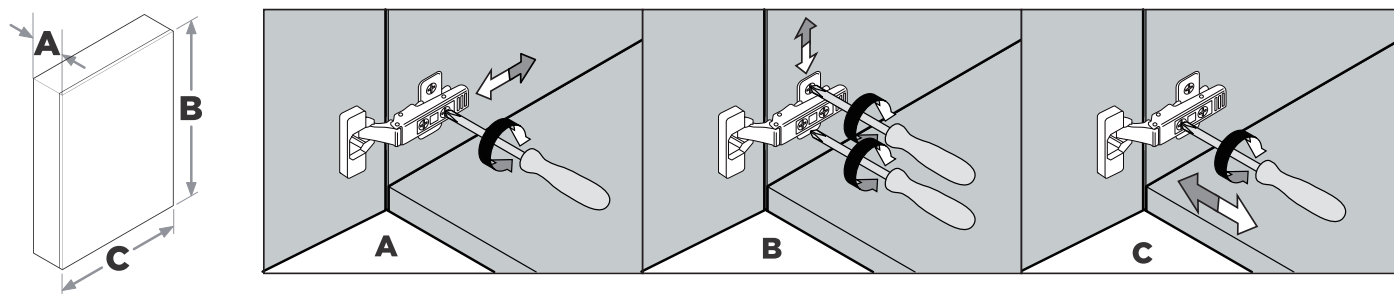
Press the end of the hinge to match the hinge seat.

Installing wiring terminals.

DOOR ADJUSTMENT


OPTIONAL DOOR ADJUSTMENT

Doors may need 3-way adjustment (height, side-to-side, depth) after shipping. Use the middle screw to adjust height while the hinge is slightly closed. Use the front and back screws to adjust side and depth positions when the hinge is fully extended.




BUTTON CONTROL & DIGITAL DISPLAY SETTING UP

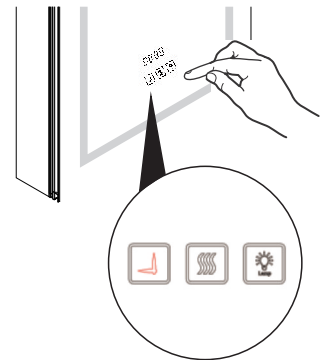
Button Functionality for Defogger, Light & Dimmer:

Light: Press  key to turn on/off - lighting function.

Long Press:  key to dim or brighten the light.

Light: Press  press key to rapidly switch color temperature of the light.

Defogger: Press  key to turn on/off. When defogger is on, the button turns white; it turns off automatically after 60 minutes.



Set Up Digital Clock & Temperature Display Enter Programming Mode

Long press:  key for 2+ seconds to enter setup. Digits cycle for 12/24H, hours, minutes, and temperature every 3 seconds.

Press:  key time 12H/24H will start to flicker, tap your selection.

Press:  key will move you to next step HOURS, tap your selection.

Press:  key will move you to next step MINUTES, tap your selection.

Press:  key will move you to next step C° / F°, tap your selection.

After finishing setting up, just leave the key untouched, it will exit programming mode automatically.

Maintenance

Clean the mirrored glass and aluminum interior using only a damp cloth. Avoid ammonia or vinegar-based cleansers as they can damage mirrors. Spray the cloth rather than the mirror directly, and never use abrasive cleansers on the fixture.