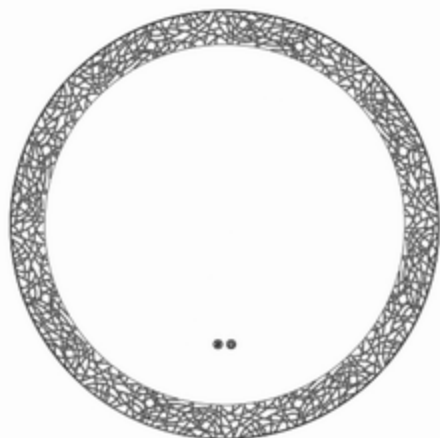


## 32" Round LED Mirror

Model: M-32-LED-RO-LAS

Size:  $\varnothing 813 \times 30 \text{MM}$



Laser Pattern Design LED Mirror with Anti-Fog

**Installation • Operation • Safety • Warranty**

### Support:

✉ [support@serabathroomdesigns.com](mailto:support@serabathroomdesigns.com)

☎ 1-833-411-7372

🌐 [www.serabathroomdesigns.com](http://www.serabathroomdesigns.com)



Backlight  
LED Strip

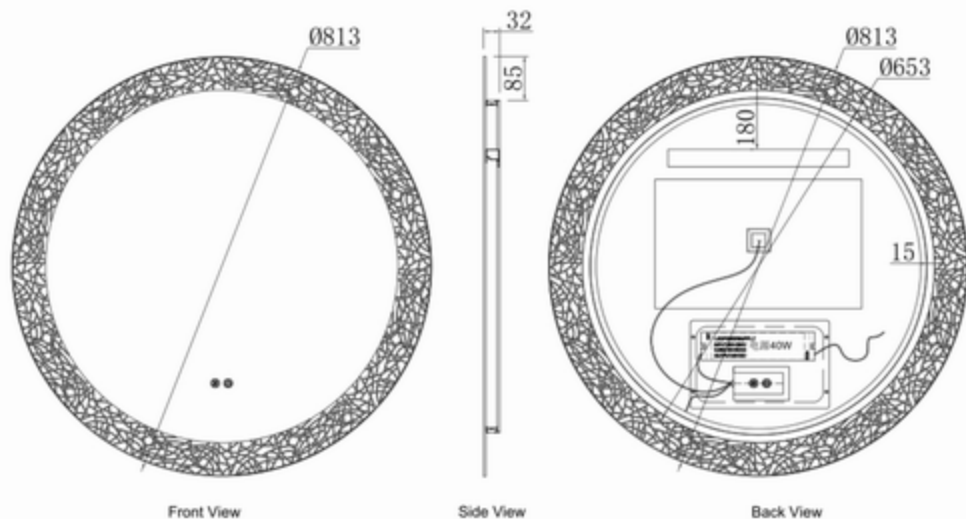


Touch Button  
for On / Off



Smart Defogger  
Function

## PRODUCT FEATURES



- 32" Round LED Mirror
- Laser pattern design
- Anti fog ;
- Dimming function;
- 6000K, Cool white ;
- 2 key touch sensor switch

CONTACT US AT:

✉ [support@serabathroomdesigns.com](mailto:support@serabathroomdesigns.com)

☎ 1-833-411-7372

## QUICK START

1. Turn OFF power at the breaker (verify with tester).
2. Locate studs and mark centerline
3. Install hanging bar/brackets level.
4. Make hard-wired electrical connections.
5. Hang mirror; lock-catch for horizontal mount.
6. Restore power; test touch sensors (light, anti-fog).

## SAFETY & COMPLIANCE

- Installation by a licensed electrician only.
- Connect to a GFCI-protected, properly grounded circuit (120 V~ 60 Hz).
- Do not connect to any wall dimmer (ELV/triac). Use a standard ON/OFF switch if desired; dimming happens on the mirror.
- Two-person lift required; use PPE.
- Mount into wall studs whenever possible; use proper anchors for wall type.



DANGER



GFCI Protected



No wall dimmer



Ground properly



Two-person lift



PPE

### CONTACT US AT:



[support@serabathroomdesigns.com](mailto:support@serabathroomdesigns.com)



1-833-411-7372



[www.serabathroomdesigns.com](http://www.serabathroomdesigns.com)

## WHAT'S IN THE BOX & TOOLS

### INCLUDED



Mirror  
assembly



Hanging  
bar



Wall  
screws  
(x2)



Anchors  
(x2)

### TOOLS NEEDED



Band  
tap



Level



Pencil



PPE



Drill  
bits



Electronic  
drill



Cross  
screwdriver



Stud  
finder

### CONTACT US AT:



[support@serabathroomdesigns.com](mailto:support@serabathroomdesigns.com)



1-833-411-7372



[www.serabathroomdesigns.com](http://www.serabathroomdesigns.com)

## HARDWIRE INSTRUCTIONS

**Warning: Manufacturer's warranty shall be void if product is not installed by a licensed professional**

Prior to commencing installation, please ensure the following:

- The wall where the product is being installed is able to support the weight of the product
- The main electrical supply has been powered off to complete installation

### IMPORTANT: Wiring Instructions for Canada & USA

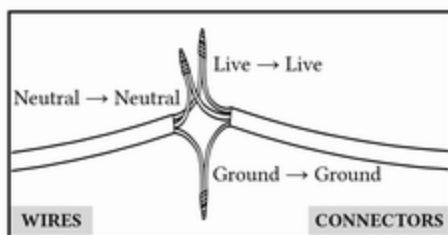
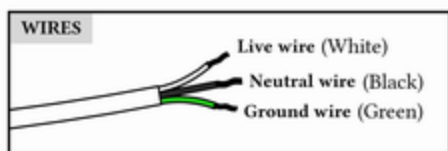
This fixture's wiring colors may not align with standard North American guidelines. For a safe installation, please re-identify the fixture wires with electrical tape as follows:

**LIVE:** Wrap black tape on the fixture's White wire. Connect this to your home's Black (Live) wire.

**NEUTRAL:** Wrap white tape on the fixture's Black wire. Connect this to your home's White (Neutral) wire.

**GROUND:** Connect the Green wire to your home's Green or Bare Copper ground wire.

Please consult a licensed electrician if you are unsure.



### Important

- Hard-wire only. Do not attach a cord-and-plug.
- Use listed wire connectors; make all splices inside approved boxes.
- Do not use a wall dimmer. Use a standard ON/OFF switch if wall control is required.

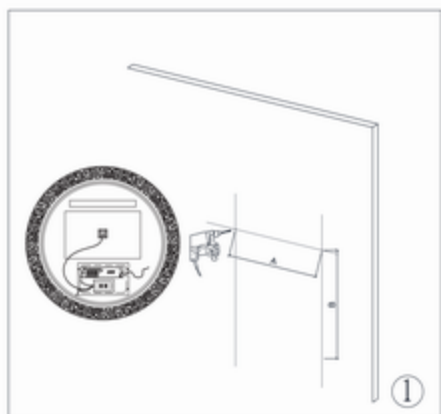
### CONTACT US AT:

✉ [support@serabathroomdesigns.com](mailto:support@serabathroomdesigns.com)

☎ 1-833-411-7372

🌐 [www.serabathroomdesigns.com](http://www.serabathroomdesigns.com)

## WALL MOUNTING INSTRUCTIONS



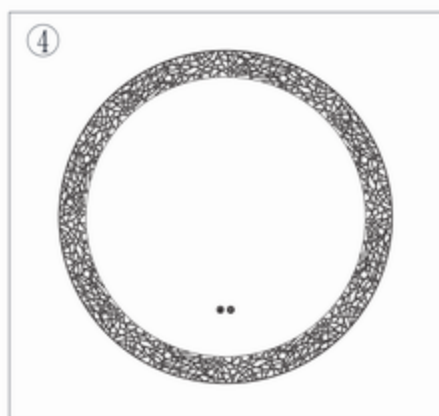
Measure the distance of the mounting hole.  
Drill holes with a suitable sized drill.



Insert the anchor and mounting screw into the wall.



Connect the mirror wires with your main wires and hang the mounting hole to the screw on the wall.



Peel off protective film and clean the mirror with damp cloth.

### CONTACT US AT:

✉ [support@serabathroomdesigns.com](mailto:support@serabathroomdesigns.com)

☎ 1-833-411-7372

## OPERATION & FEATURES



### MIRROR LIGHT USE

Short touch the right sensor to turn on / off the mirror light.



### MIRROR DIMMING LIGHT USE

Long touch the right sensor to dimming the mirror light.

15%, 50%, and 100% dimming levels.



### MIRROR DEFOGGING USE

Short touch the left sensor to turn on / off the mirror defogging function.

#### CONTACT US AT:

✉ [support@serabathroomdesigns.com](mailto:support@serabathroomdesigns.com)

☎ 1-833-411-7372

🌐 [www.serabathroomdesigns.com](http://www.serabathroomdesigns.com)

## CARE & CLEANING AND TROUBLESHOOTING

### CARE & CLEANING



Wipe with a soft, lint-free cloth; mild non-ammonia cleaner.



Do not use abrasives, pads, acids, or solvents.



Apply cleaner to cloth, not directly on sensor areas.

### TROUBLESHOOTING (QUICK FIXES)



No light at install: Confirm breaker ON, correct wiring, internal quick-connects fully seated.



Touch unresponsive: Power cycle at breaker for 60 seconds; clean/dry glass over sensors.



Buzz/Hum: Ensure unit is not on a wall dimmer; verify solid ground.



Anti-fog not warming: Ensure left sensor is ON; feature auto-turns-off after 1 hour.

#### CONTACT US AT:



[support@serabathroomdesigns.com](mailto:support@serabathroomdesigns.com)



1-833-411-7372



[www.serabathroomdesigns.com](http://www.serabathroomdesigns.com)