

## 32" LED Lune Mirror

Model: FS-2015-3232

Size:  $\varnothing$ 813\*32MM



Frosted Edge LED Mirror with Anti-Fog

**Installation • Operation • Safety • Warranty**

### Support:

✉ [support@serabathroomdesigns.com](mailto:support@serabathroomdesigns.com)

☎ 1-833-411-7372

🌐 [www.serabathroomdesigns.com](http://www.serabathroomdesigns.com)



Energy-Saving  
LED Lighting



Single-touch sensor  
switch with  
dimming function



LED Mirror with  
built-in defogger

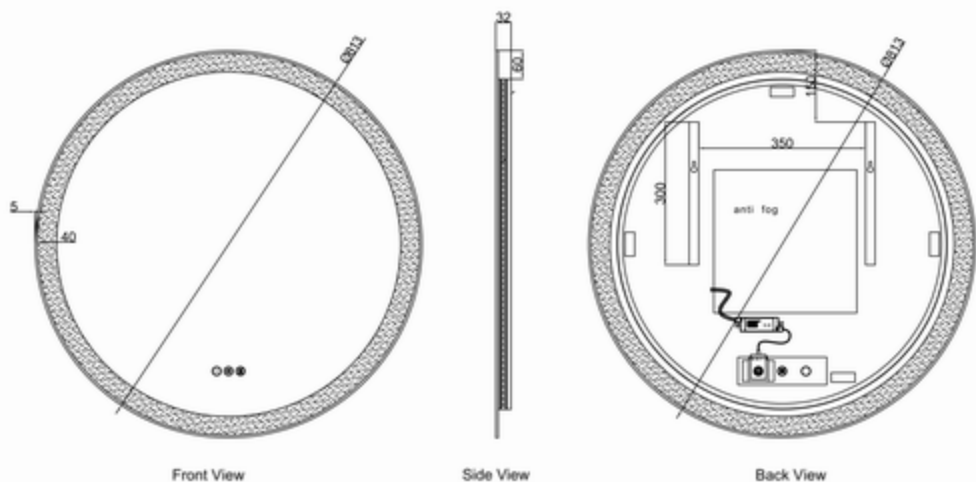


3000k - 6000k



3 Tones Color

## PRODUCT FEATURES



- 32" Round LED Mirror with built-in defogger
- Anti-Fog Function
- Energy-Saving LED Lighting
- Dimming function
- Variable Color Temperature - Adjustable lighting from
- warm 3000K to cool 6000K
- Integrated LED Ribbon Illumination with Frosted Edge Technology

CONTACT US AT:

✉ [support@serabathroomdesigns.com](mailto:support@serabathroomdesigns.com)

☎ 1-833-411-7372

🌐 [www.serabathroomdesigns.com](http://www.serabathroomdesigns.com)

## QUICK START

1. Turn OFF power at the breaker (verify with tester).
2. Locate studs and mark centerline
3. Install hanging bar/brackets level.
4. Make hard-wired electrical connections.
5. Hang mirror; lock-catch for horizontal mount.
6. Restore power; test touch sensors (light, anti-fog).

## SAFETY & COMPLIANCE

- Installation by a licensed electrician only.
- Connect to a GFCI-protected, properly grounded circuit (120 V~ 60 Hz).
- Do not connect to any wall dimmer (ELV/triac). Use a standard ON/OFF switch if desired; dimming happens on the mirror.
- Two-person lift required; use PPE.
- Mount into wall studs whenever possible; use proper anchors for wall type.

**DANGER**

GFCI Protected



No wall dimmer



Ground properly



Two-person lift



PPE

### CONTACT US AT:

[support@serabathroomdesigns.com](mailto:support@serabathroomdesigns.com)

1-833-411-7372

[www.serabathroomdesigns.com](http://www.serabathroomdesigns.com)

## WHAT'S IN THE BOX & TOOLS

### INCLUDED



Mirror  
assembly



Hanging  
bar



Wall  
screws  
(x2)



Anchors  
(x2)

### TOOLS NEEDED



Band  
tap



Level



Pencil



PPE



Drill  
bits



Electronic  
drill



Cross  
screwdriver



Stud  
finder

### CONTACT US AT:



support@serabathroomdesigns.com



1-833-411-7372



www.serabathroomdesigns.com

## HARDWIRE INSTRUCTIONS

**Warning: Manufacturer's warranty shall be void if product is not installed by a licensed professional**

Prior to commencing installation, please ensure the following:

- The wall where the product is being installed is able to support the weight of the product
- The main electrical supply has been powered off to complete installation

### IMPORTANT: Wiring Instructions for Canada & USA

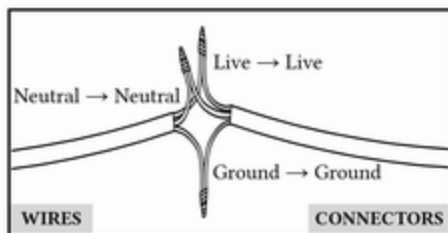
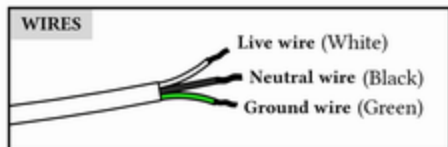
This fixture's wiring colors may not align with standard North American guidelines. For a safe installation, please re-identify the fixture wires with electrical tape as follows:

**LIVE:** Wrap black tape on the fixture's White wire. Connect this to your home's Black (Live) wire.

**NEUTRAL:** Wrap white tape on the fixture's Black wire. Connect this to your home's White (Neutral) wire.

**GROUND:** Connect the Green wire to your home's Green or Bare Copper ground wire.

Please consult a licensed electrician if you are unsure.



### Important

- Hard-wire only. Do not attach a cord-and-plug.
- Use listed wire connectors; make all splices inside approved boxes.
- Do not use a wall dimmer. Use a standard ON/OFF switch if wall control is required.

### CONTACT US AT:

✉ [support@serabathroomdesigns.com](mailto:support@serabathroomdesigns.com)

☎ 1-833-411-7372

🌐 [www.serabathroomdesigns.com](http://www.serabathroomdesigns.com)

## WALL MOUNTING INSTRUCTIONS



Measure the distance of the mounting hole.  
Drill holes with a suitable sized drill.



Insert the anchor and mounting screw into the wall.



Connect the mirror wires with your main wires and hang the mounting hole to the screw on the wall.



Peel off protective film and clean the mirror with damp cloth.

CONTACT US AT:

✉ [support@serabathroomdesigns.com](mailto:support@serabathroomdesigns.com)

☎ 1-833-411-7372

🌐 [www.serabathroomdesigns.com](http://www.serabathroomdesigns.com)

## OPERATION & FEATURES



### MIRROR LIGHT USE

Short touch the Power button (middle touch sensor), to turn on / off the mirror light.



### MIRROR ANTI-FOG USE

Short touch the Anti-Fog button (right touch sensor), to turn on / off the anti-fog feature.

*The defogging function becomes effective when the mirror surface reaches a temperature between 24°C and 32°C. The required temperature will vary depending on bathroom conditions; a hotter, steamier shower will cause the defogger to operate closer to the 32°C mark to effectively prevent condensation.*



### TEMPERATURE AND DIMMING USE

#### TEMPERATURE

Long touch the Light button for 5 sec. (left touch sensor), to change light color temperature. Light will change from cold, to natural, to warm.

#### DIMMING

Short touch the Light button (left touch sensor), to change light intensity, you can choose 15%, 50% and 100%.

### CONTACT US AT:

✉ [support@serabathroomdesigns.com](mailto:support@serabathroomdesigns.com)

☎ 1-833-411-7372

🌐 [www.serabathroomdesigns.com](http://www.serabathroomdesigns.com)

## CARE & CLEANING AND TROUBLESHOOTING

### CARE & CLEANING



Wipe with a soft, lint-free cloth; mild non-ammonia cleaner.



Do not use abrasives, pads, acids, or solvents.



Apply cleaner to cloth, not directly on sensor areas.

### TROUBLESHOOTING (QUICK FIXES)



No light at install: Confirm breaker ON, correct wiring, internal quick-connects fully seated.



Touch unresponsive: Power cycle at breaker for 60 seconds; clean/dry glass over sensors.



Buzz/Hum: Ensure unit is not on a wall dimmer; verify solid ground.



Anti-fog not warming: Ensure left sensor is ON; feature auto-turns-off after 1 hour.

#### CONTACT US AT:



[support@serabathroomdesigns.com](mailto:support@serabathroomdesigns.com)



1-833-411-7372



[www.serabathroomdesigns.com](http://www.serabathroomdesigns.com)