

Specifications

DESCRIPTION

- Brass construction
- Flexible supply lines with 3/8" or 9/16" compression fittings
- Includes Red/Blue indicators

FLOW

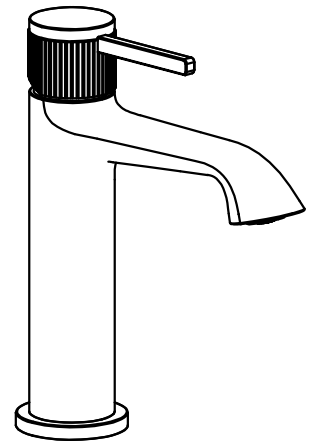
- Water usage is limited to these maximum flow rates as indicated by the corresponding product markings
- North America: 1.5 gpm max (5.7L/min) at 60psi
- California: 1.2 gpm max (4.5L/min) at 60psi

CARTRIDGE

- Ceramic disk cartridge

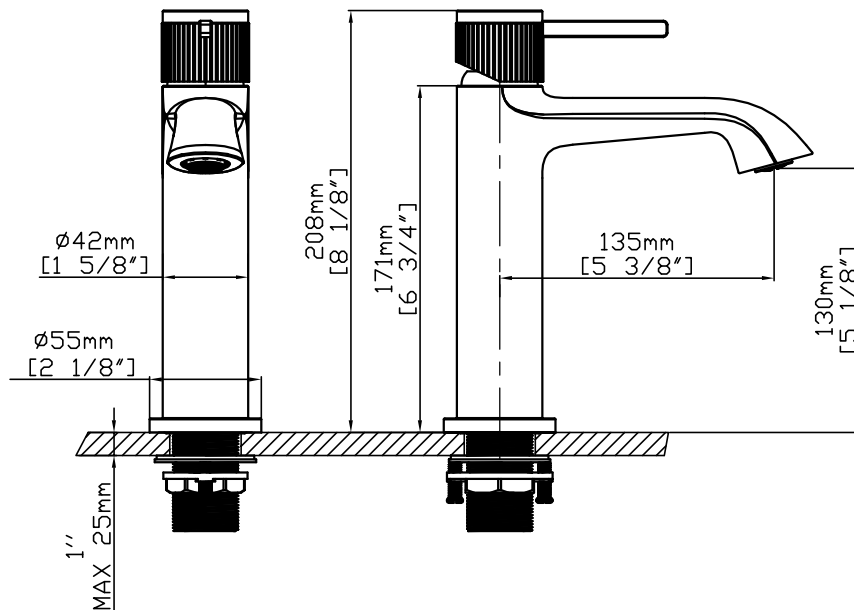
STANDARDS

- Certified to CUPC
- Certified to AB1953
- Certified to NSF/ANSI 61



Single-Handle Lavatory Faucet

NOTE: THIS FAUCET IS DESIGNED TO BE INSTALLED THROUGH 1 HOLE, Φ 1-3/8" (Φ 35mm) MAX.



Note: Dimensions are for reference only. Detailed information is in accordance with the final product.