

Specifications

DESCRIPTION

- Stainless Steel construction
- Flexible supply lines with 3/8" or 9/16" compression fittings
- Includes red/blue indicators

FLOW

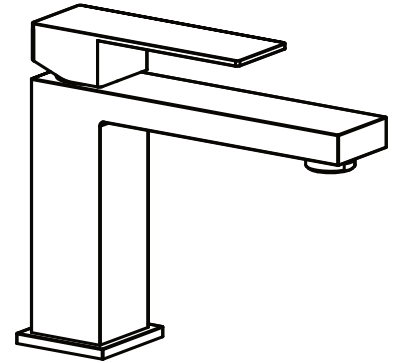
- Flow is limited to the maximum rates indicated on the product.
- North America: 5.7 L/min (1.5 gpm) max at 415 kPa (60 psi).
- California: 4.5 L/min (1.2 gpm) max at 415 kPa (60 psi).

CARTRIDGE

- Ceramic disc cartridge

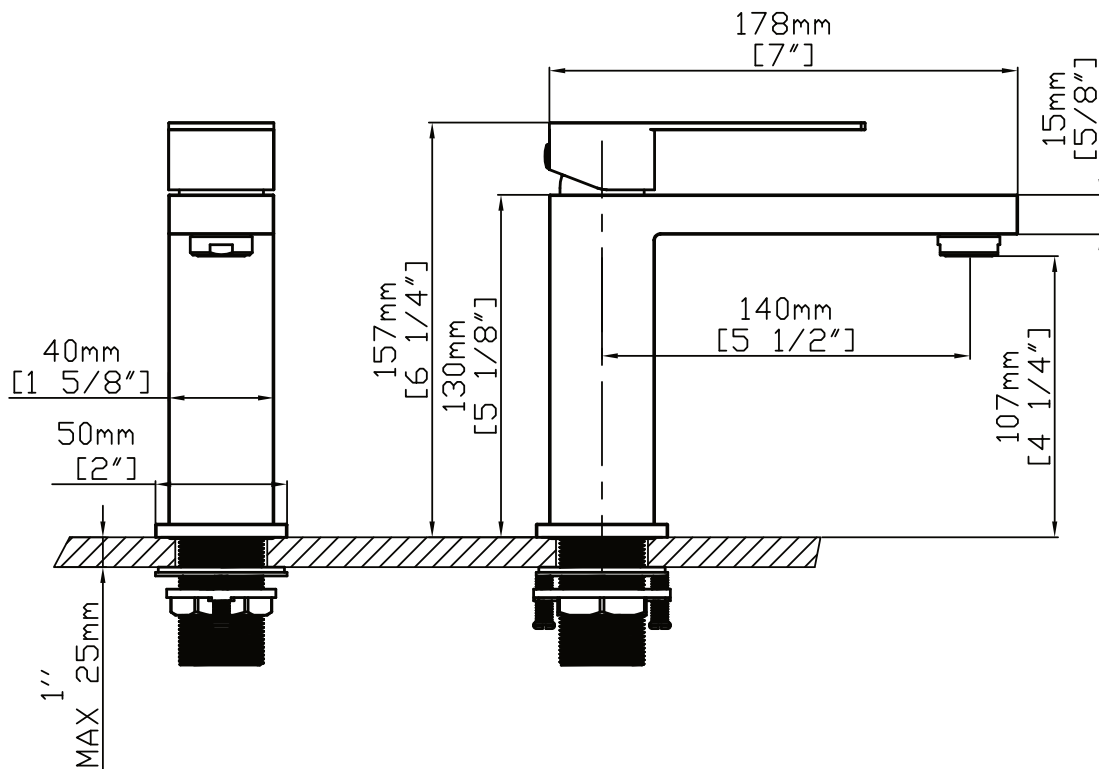
STANDARDS

- Certified to cUPC
- Certified to ABI953
- Certified to NSF/ANSI 61



Single-Handle Lavatory Faucet

NOTE: THIS FAUCET IS DESIGNED TO BE INSTALLED THROUGH 1 HOLE, Ø1-3/8" (Ø35mm) MIN.



Note: Dimensions are nominal and for reference only; final product details prevail.