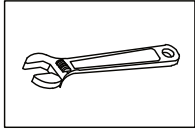


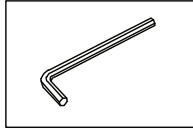
Single-Handle Lavatory Faucet Installation

INSTALLATION MANUAL

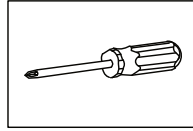
Tools You Will Need:



Adjustable wrench



Hex key (Allen)



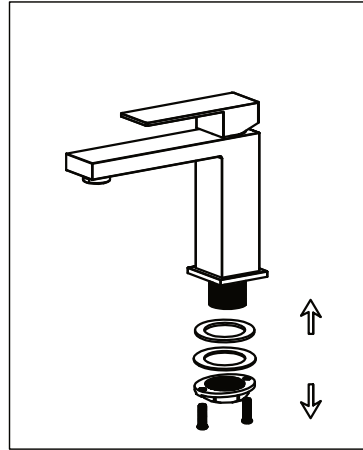
Phillips Screwdriver

Notes Before Installation:

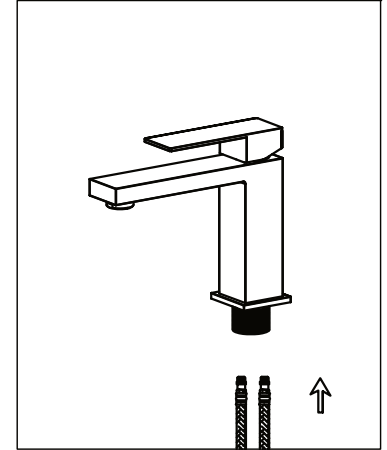
1. Check all components are present.
2. Clear supply lines of debris; ensure shutoff valve is present.
3. Verify water pressure: 140–860 kPa (20–125 psi) combined hot and cold.
4. Images are representative and may not match your exact model. If you experience difficulty, contact a licensed plumber.
5. If away for extended periods, shut off main water supply.

Daily Maintenance:

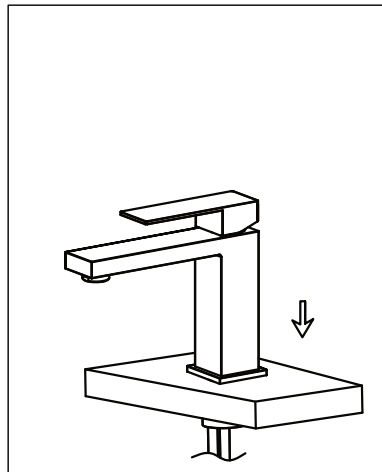
1. Use soft cloth and vinegar for hard-water spots.
2. Check aerator regularly for calcium buildup.
3. Use only vinegar or mild, non-abrasive cleaners. Using any other cleaners will damage the finish and void the product warranty.
4. If water pressure is low, clean or replace aerator.



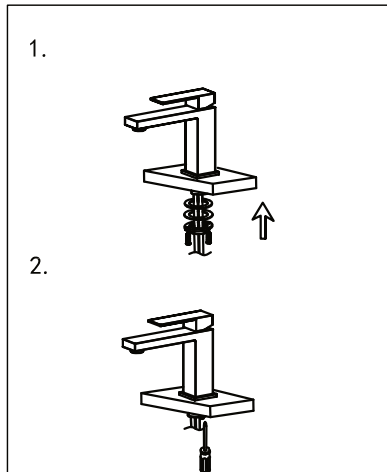
1. Remove rubber washer, metal washer, and locknut from faucet.



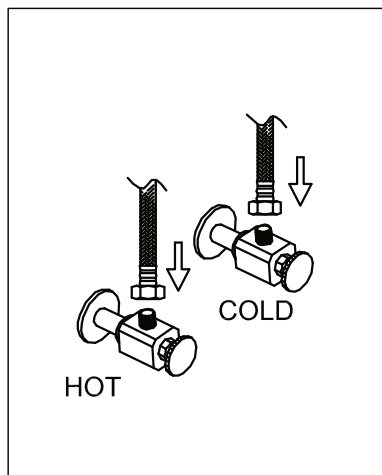
2. Thread hot and cold hoses onto faucet by hand (do not use wrench).



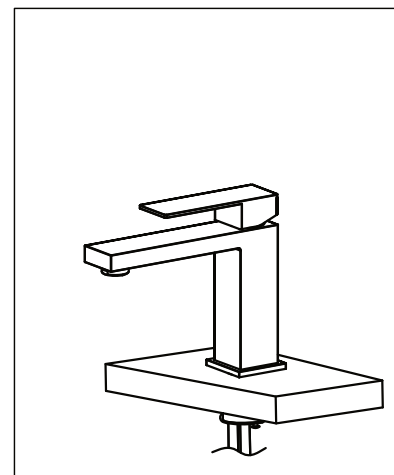
3. Install faucet through centre hole.



4. Reinstall rubber washer, metal washer, and locknut. Hand-tighten, then use screwdriver to snug locknut screws.



5. Attach flexible hoses to water supply.



6. Remove aerator and run faucet for 1 minute to flush debris. Turn off and reinstall aerator.