



1-888-642-8844

Thank you for your business.

In the event you experience any issues with this product, please do not return it to the retailer or point of purchase.

Instead, contact our customer support team directly for prompt assistance. Our support specialists are trained to resolve all product-related concerns and can provide you with the fastest, most effective solution.

... ..

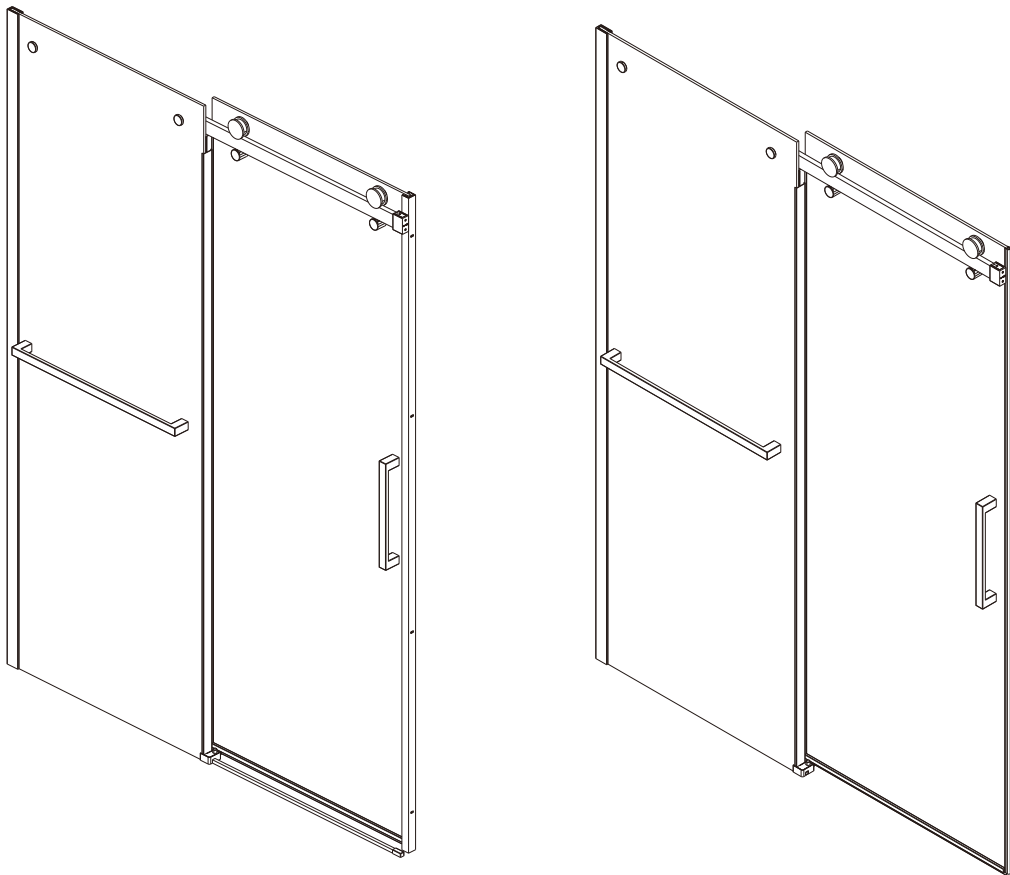
Nous vous remercions pour votre achat.

En cas de problème avec ce produit, veuillez ne pas le retourner au détaillant ou au point de vente. Contactez plutôt directement notre équipe de support client pour obtenir une assistance rapide. Nos spécialistes du support sont formés pour résoudre tous les problèmes liés aux produits et peuvent vous fournir la solution la plus rapide et la plus efficace.

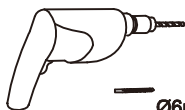
... ..

1-888-642-8844

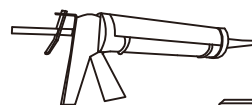
Installation instruction

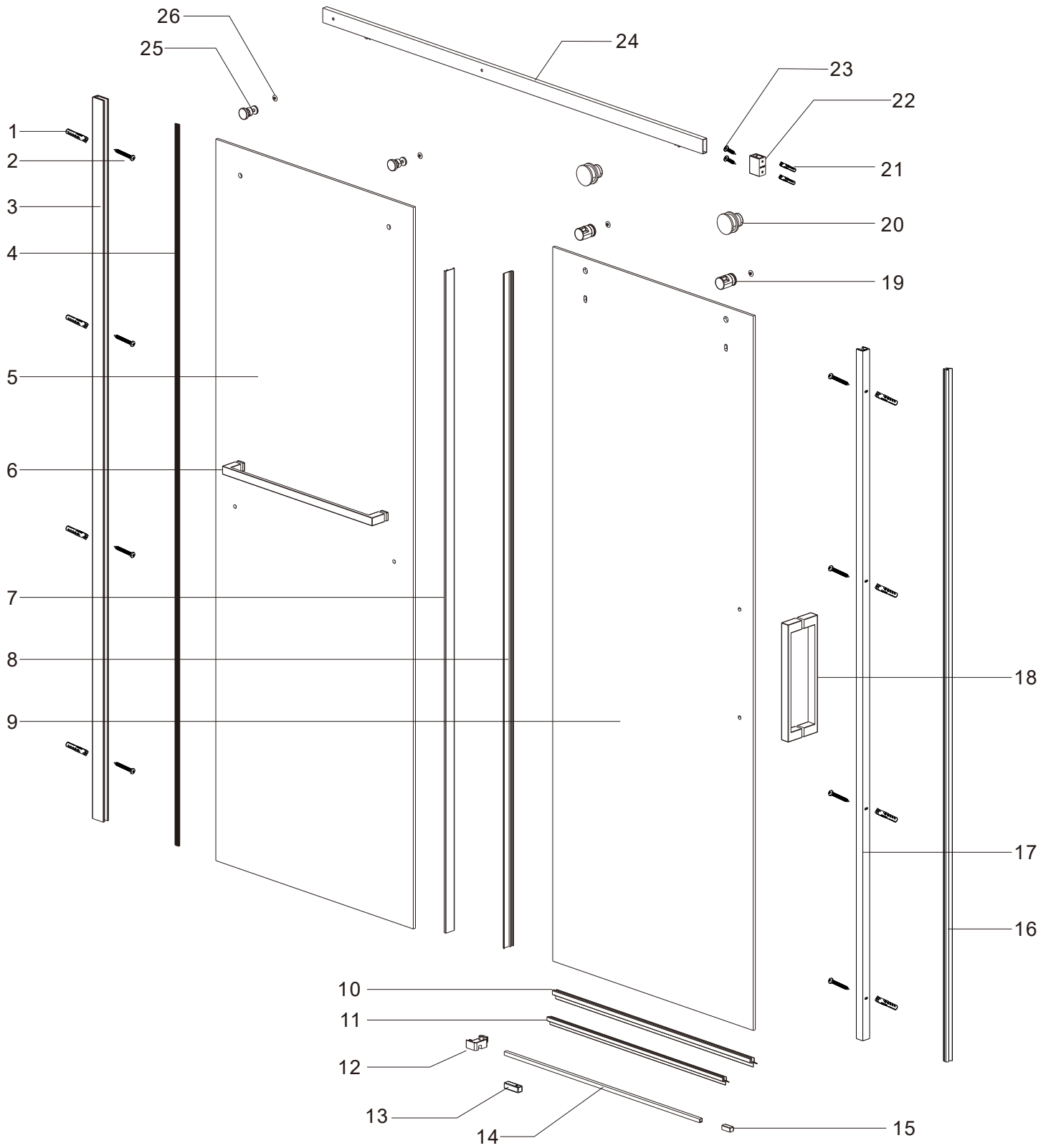


Tools Required:

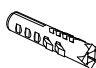

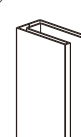



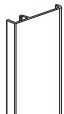
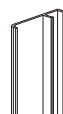



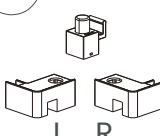
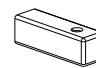
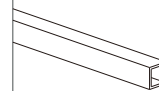
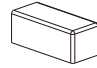








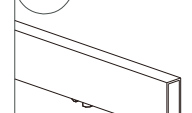


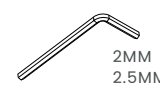



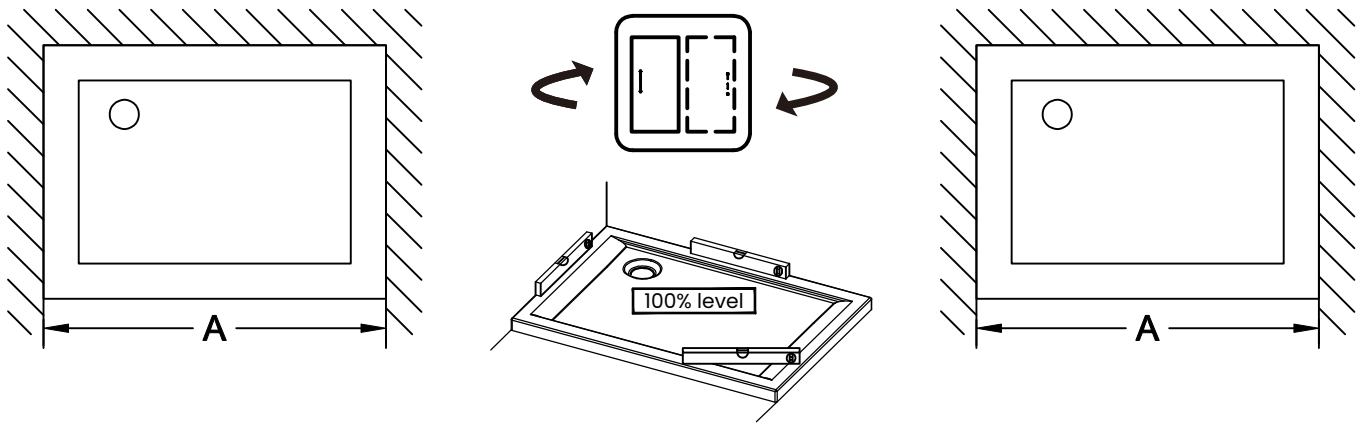
Ø6mm





Parts Supplied

<p>1 X8</p>  <p>ST4</p> <p>PP</p>	<p>2 X8</p>  <p>ST4*30</p> <p>SUS 304</p>	<p>3 X1</p>  <p>SUS 304</p>	<p>4 X1</p>  <p>PVC</p>	<p>5 X1</p>  <p>Glass</p>	<p>6 X1</p>  <p>SUS 304</p>
<p>7 X1</p>  <p>short</p> <p>PVC</p>	<p>8 X1</p>  <p>long</p> <p>PVC</p>	<p>9 X1</p>  <p>Glass</p>	<p>10 X1</p>  <p>long</p> <p>PVC</p>	<p>11 X1</p>  <p>short</p> <p>PVC</p>	<p>12 X2</p>  <p>L R</p> <p>ABS & PA+GF</p>
<p>13 X1</p>  <p>SUS 304</p>	<p>14 X1</p>  <p>SUS 304</p>	<p>15 X1</p>  <p>ABS</p>	<p>16 X1</p>  <p>PVC</p>	<p>17 X1</p>  <p>PVC+SUS 304</p>	<p>18 X1</p>  <p>SUS 304</p>
<p>19 X2</p>  <p>PP</p>	<p>20 X2</p>  <p>PP</p>	<p>21 X2</p>  <p>ST5</p> <p>PP</p>	<p>22 X1</p>  <p>SUS 304</p>	<p>23 X2</p>  <p>ST5*45</p> <p>SUS 304</p>	<p>24 X1</p>  <p>SUS 304</p>
<p>25 X2</p>  <p>SUS 304</p>	<p>26 X4</p>  <p>ABS</p>	<p>27 X4</p>  <p>2MM 2.5MM 4MM 5MM</p> <p>Carbon steel</p>	<p>28 X1</p>  <p>ABS</p>		

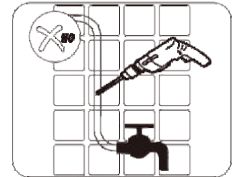
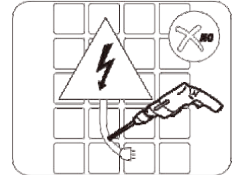
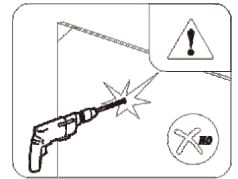
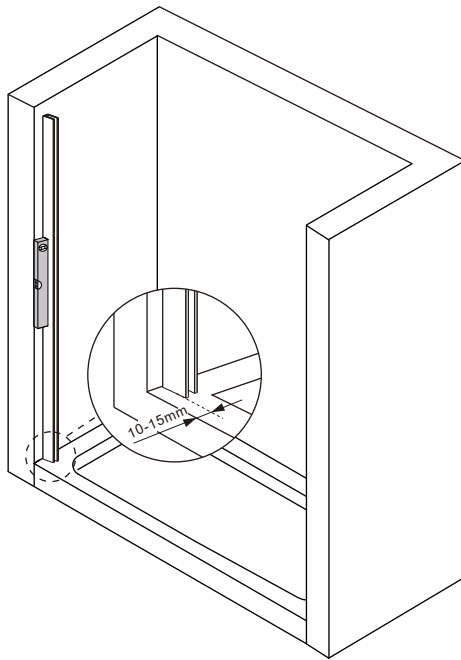
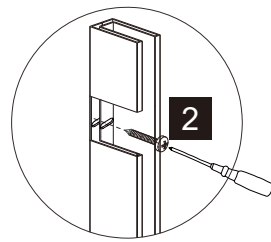
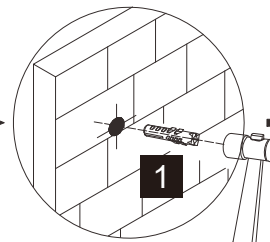
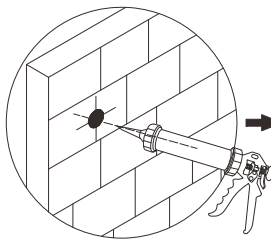
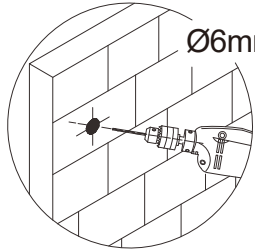
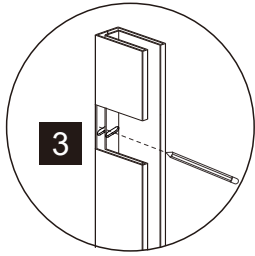
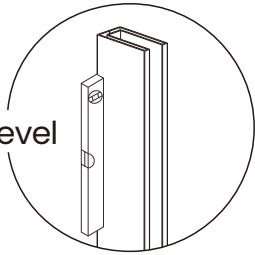


IMPORTANT - Installation site

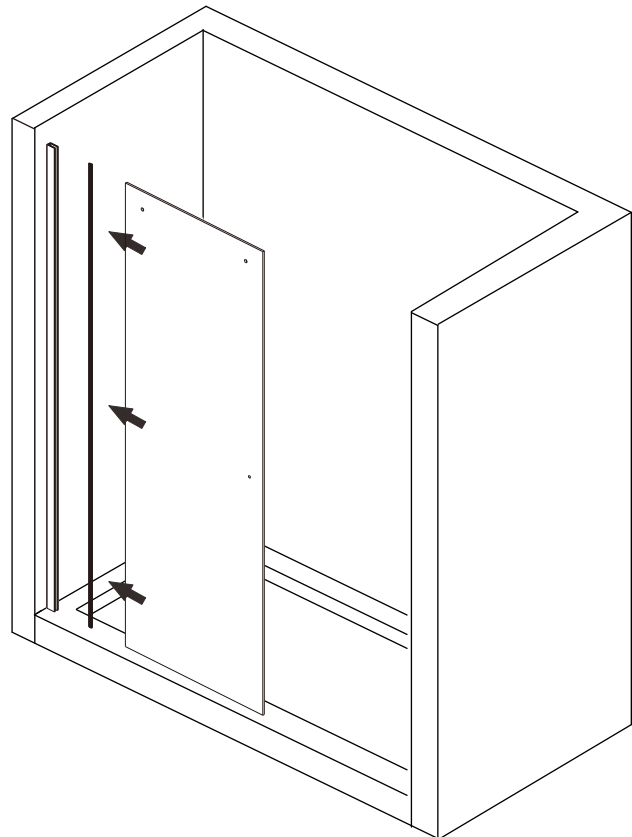
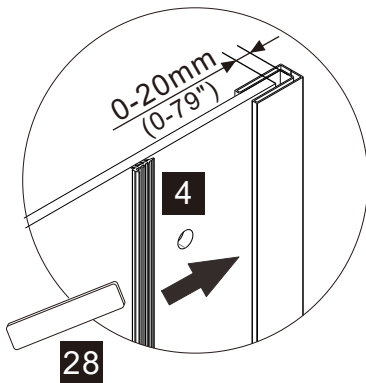
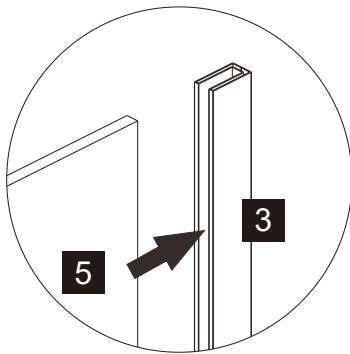
1. Ensure the top surface of the shower tray on which the enclosure will be installed is level in every direction.
2. The tiles or other wall finishing should be effectively sealed at the tray edges.
3. Tiles should extend at least to the corners of the tray and a minimum of 2.1 metres from the top of the tray.

1

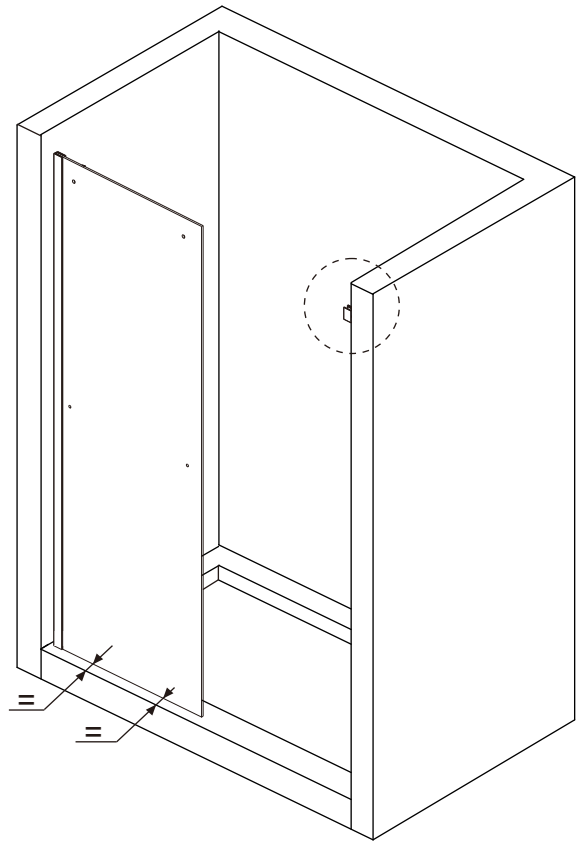
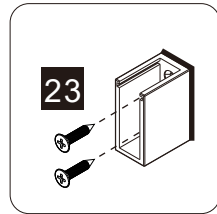
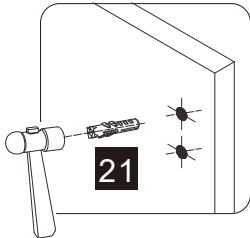
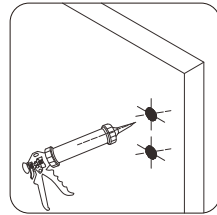
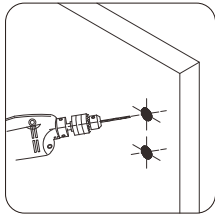
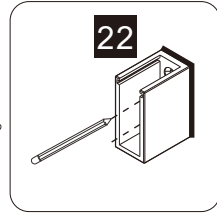
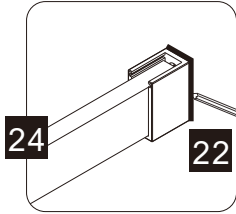
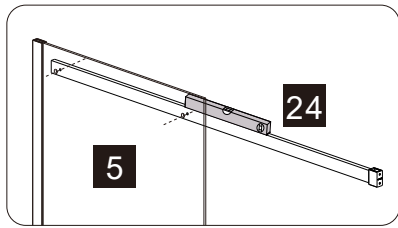
100% Level



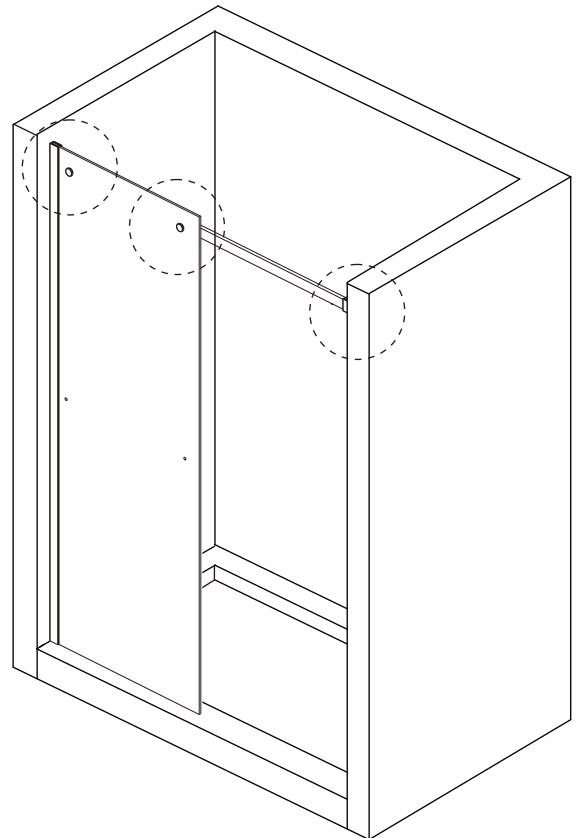
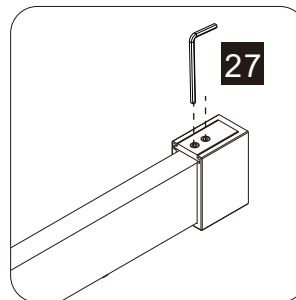
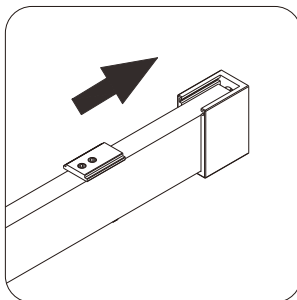
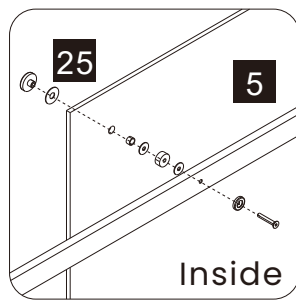
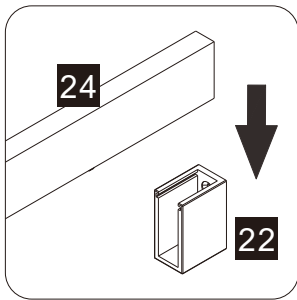
2



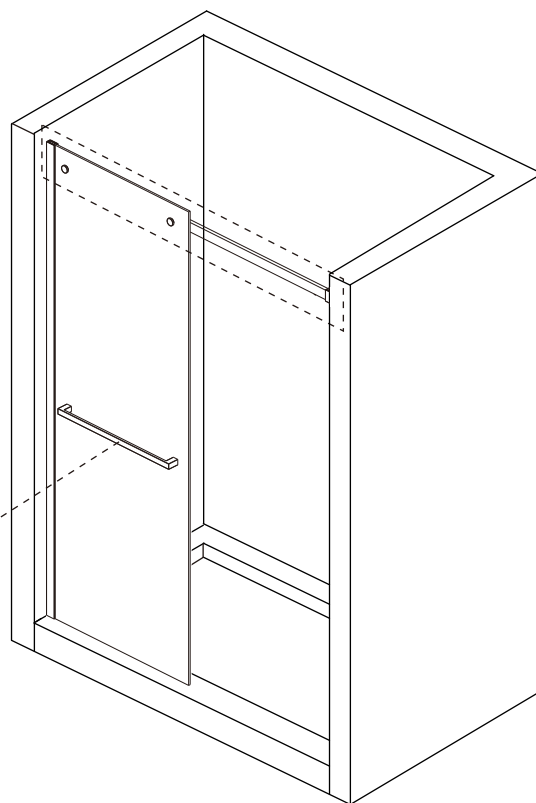
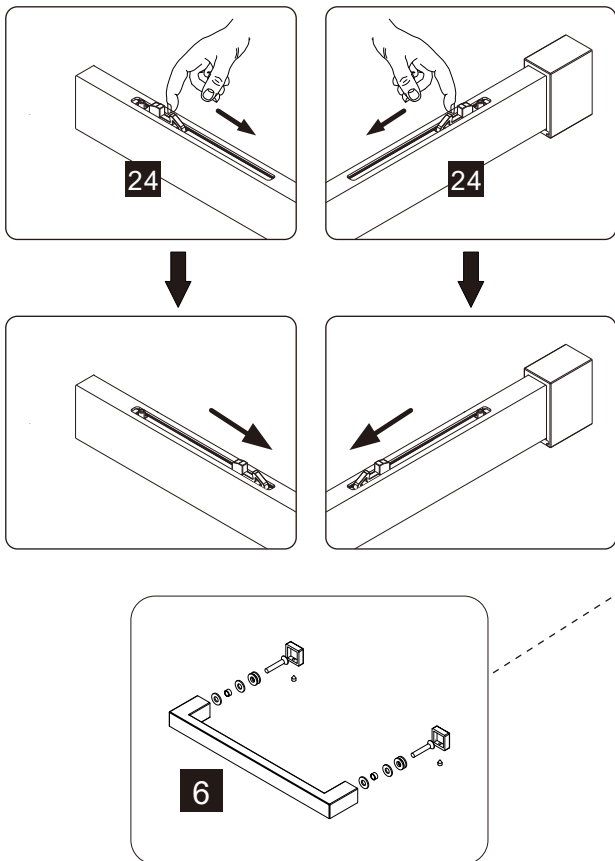
3



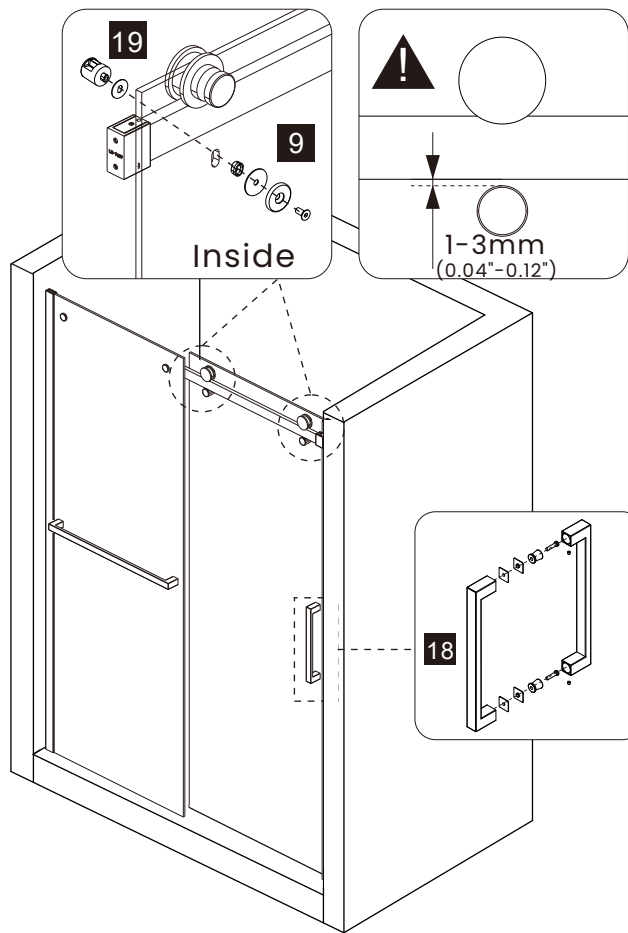
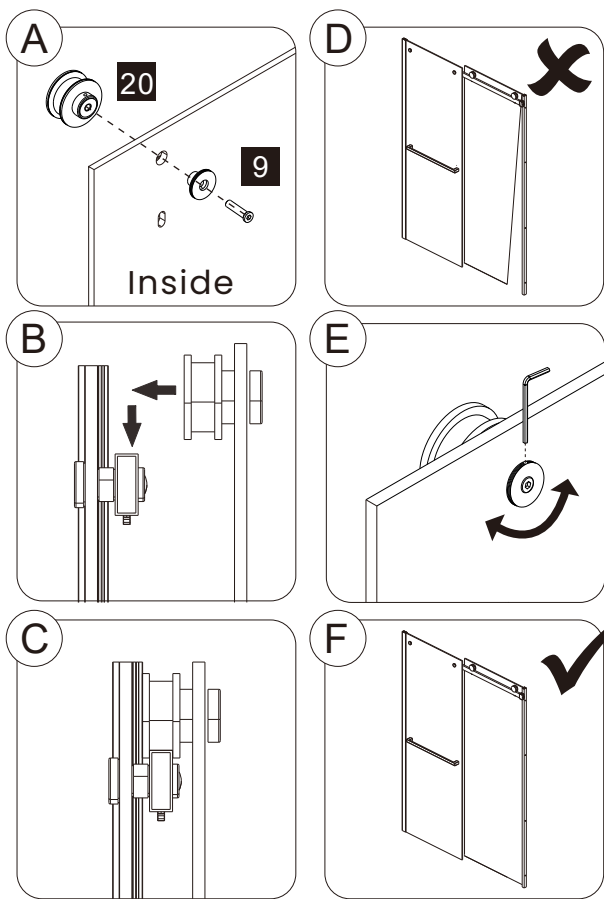
4



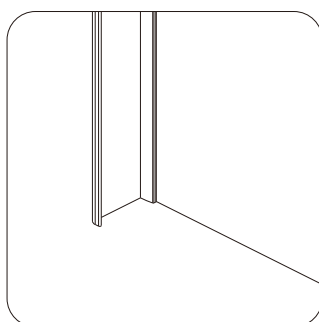
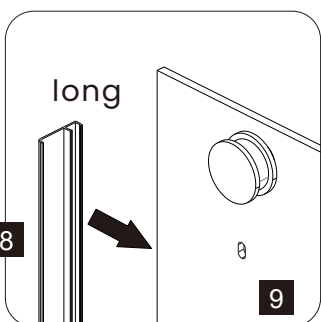
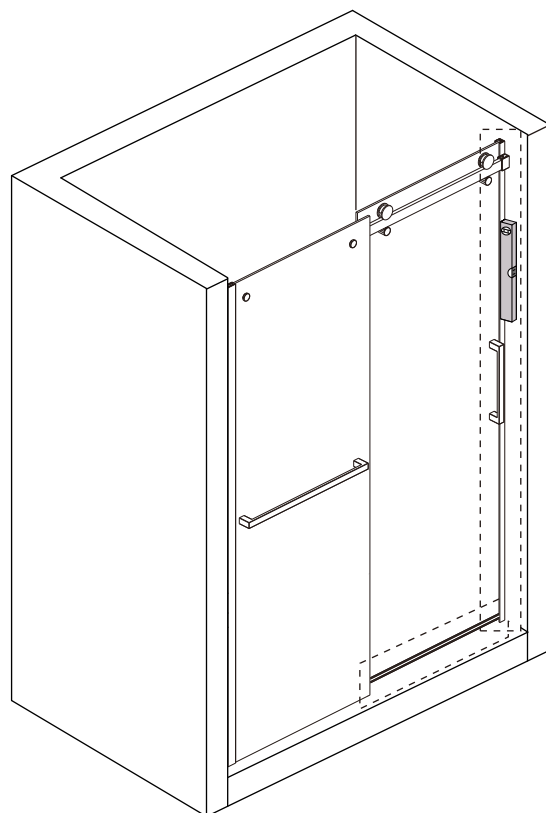
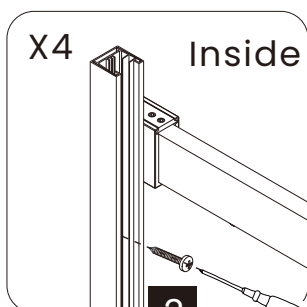
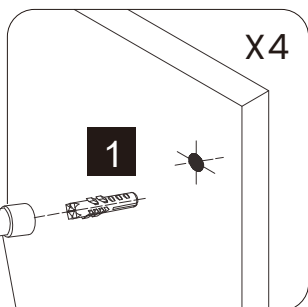
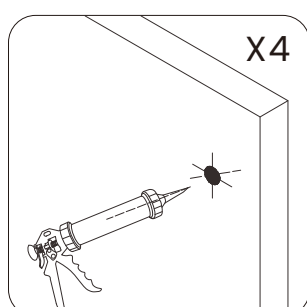
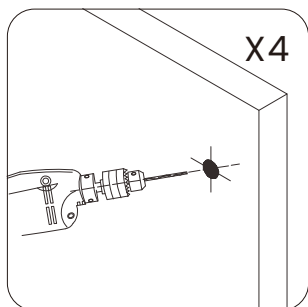
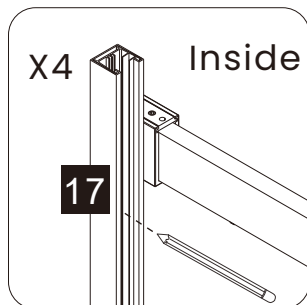
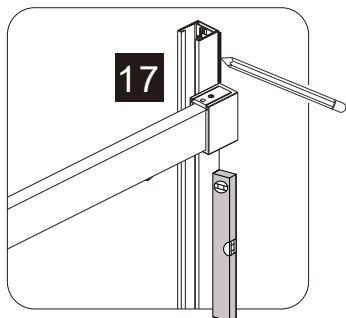
5



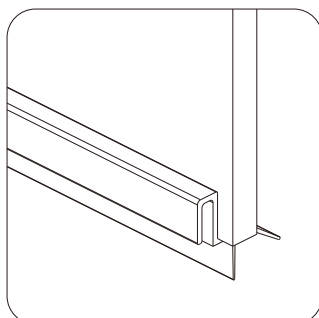
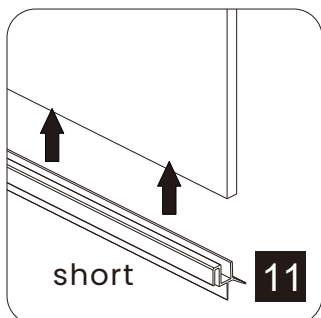
6



Installation method A

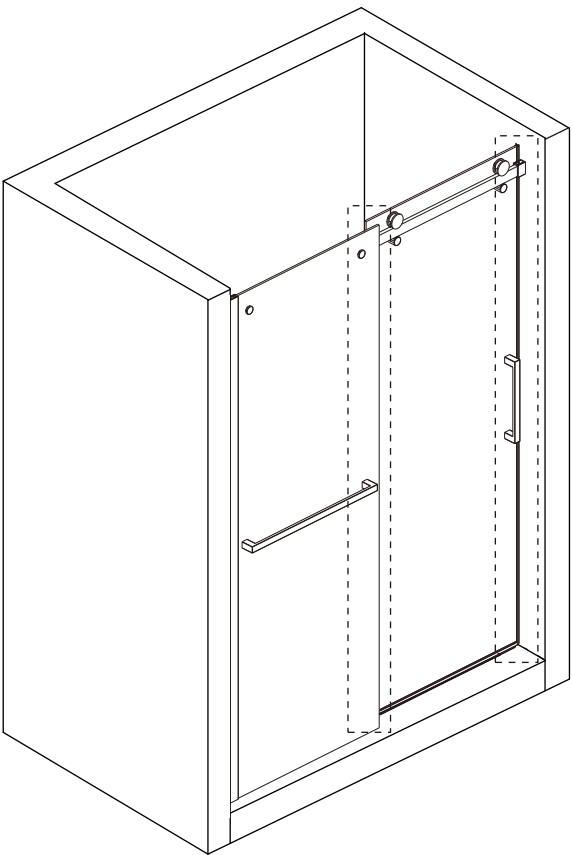


Inside
Outside



Outside Inside

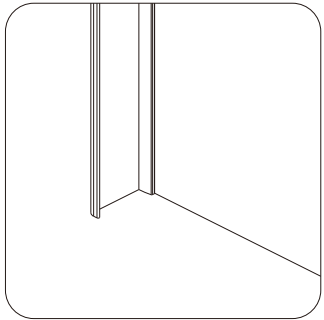
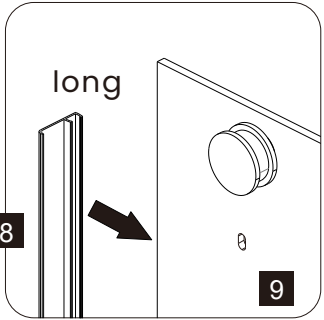
Installation method B



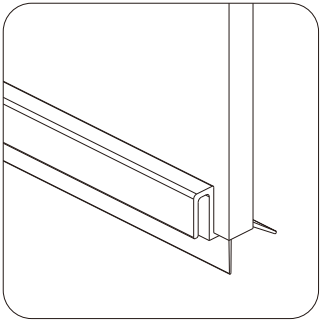
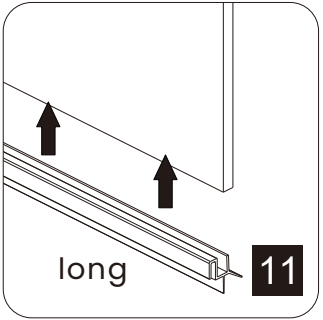
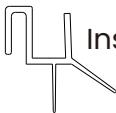
Inside



Outside



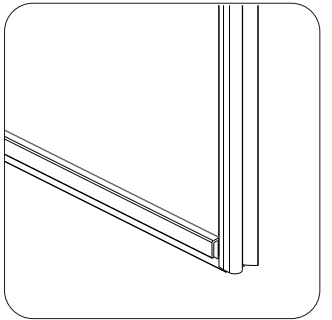
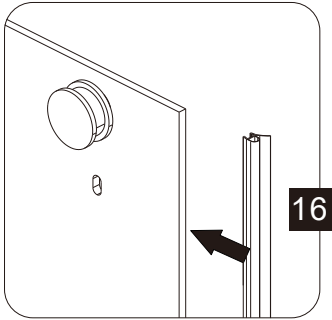
Outside Inside



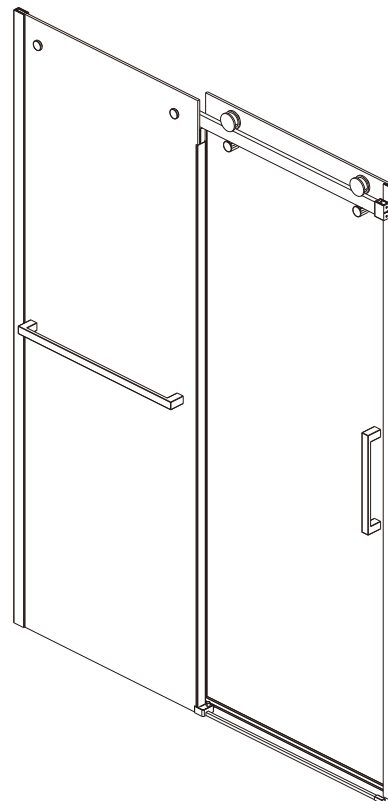
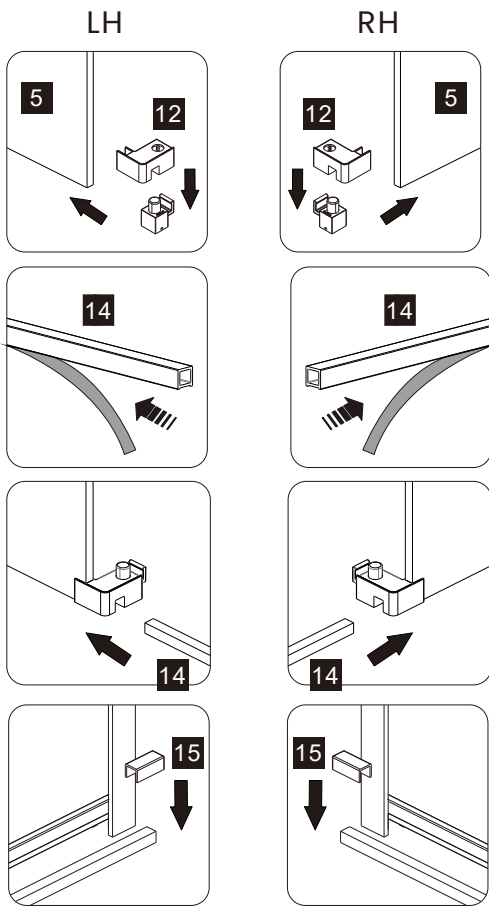
Inside



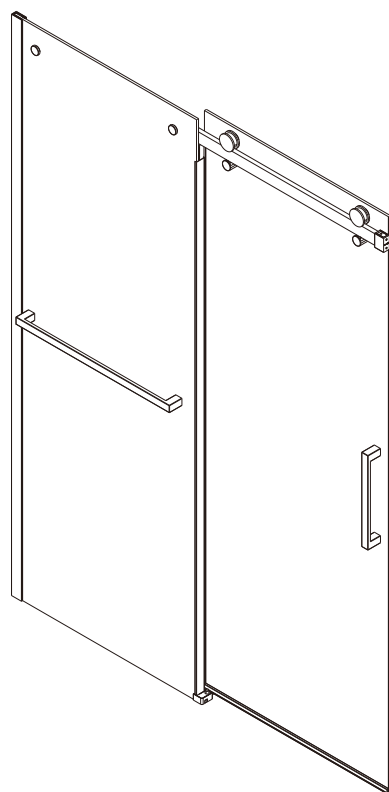
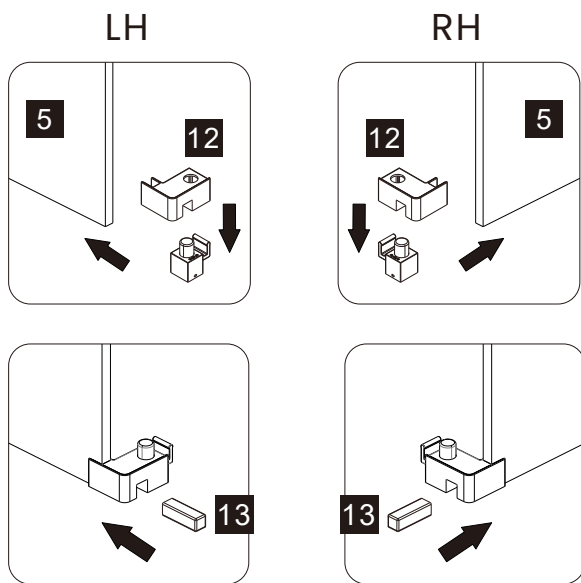
Outside



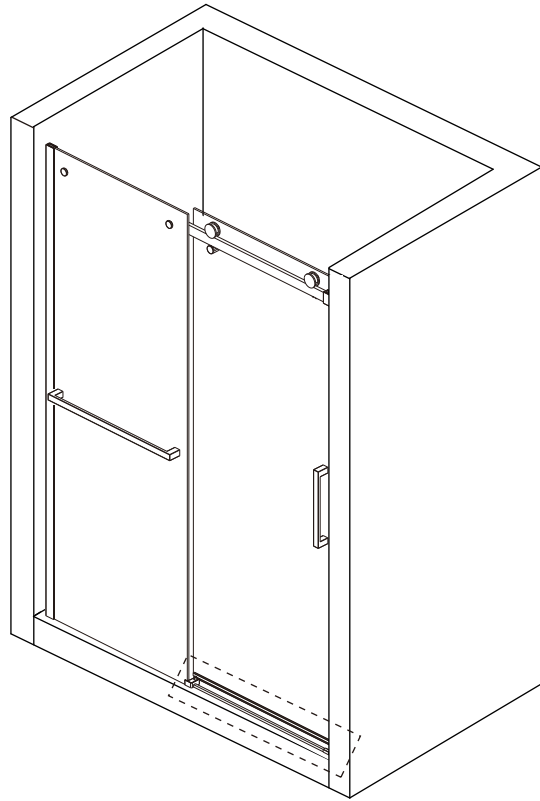
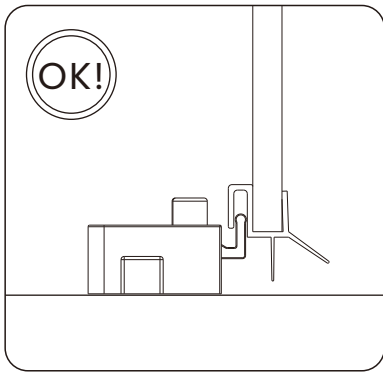
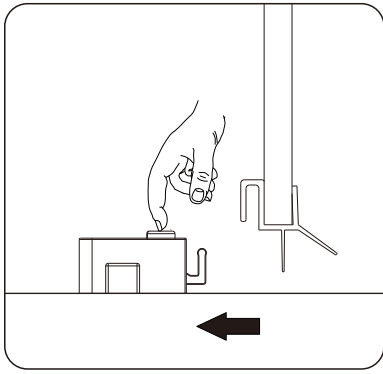
Installation method A



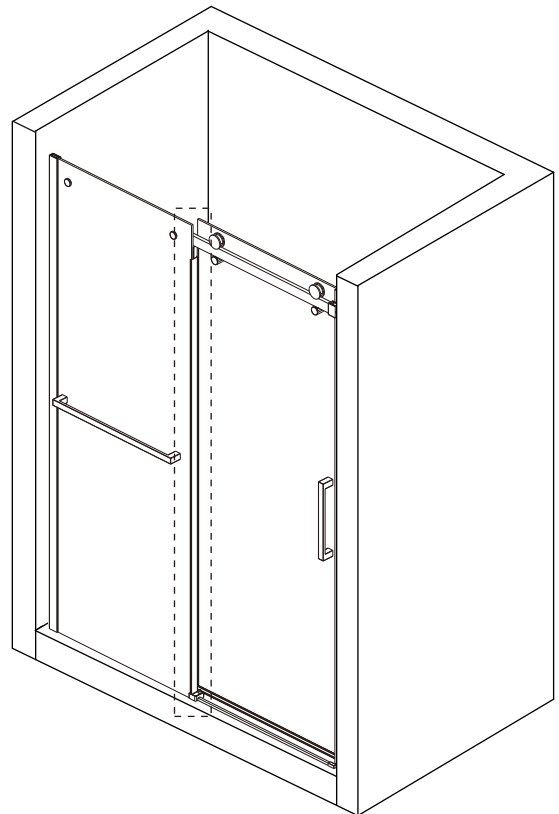
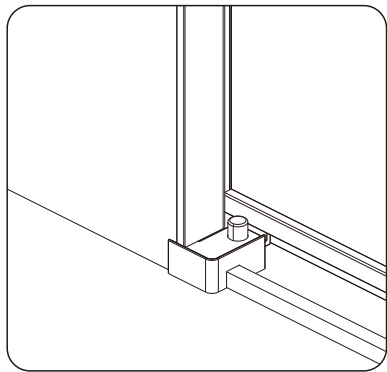
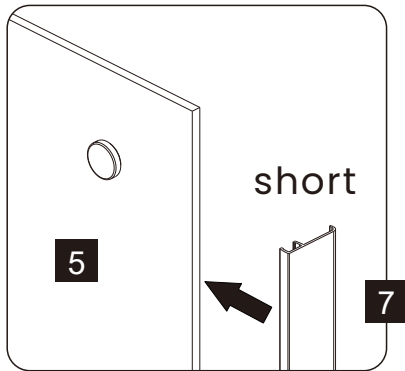
Installation method B



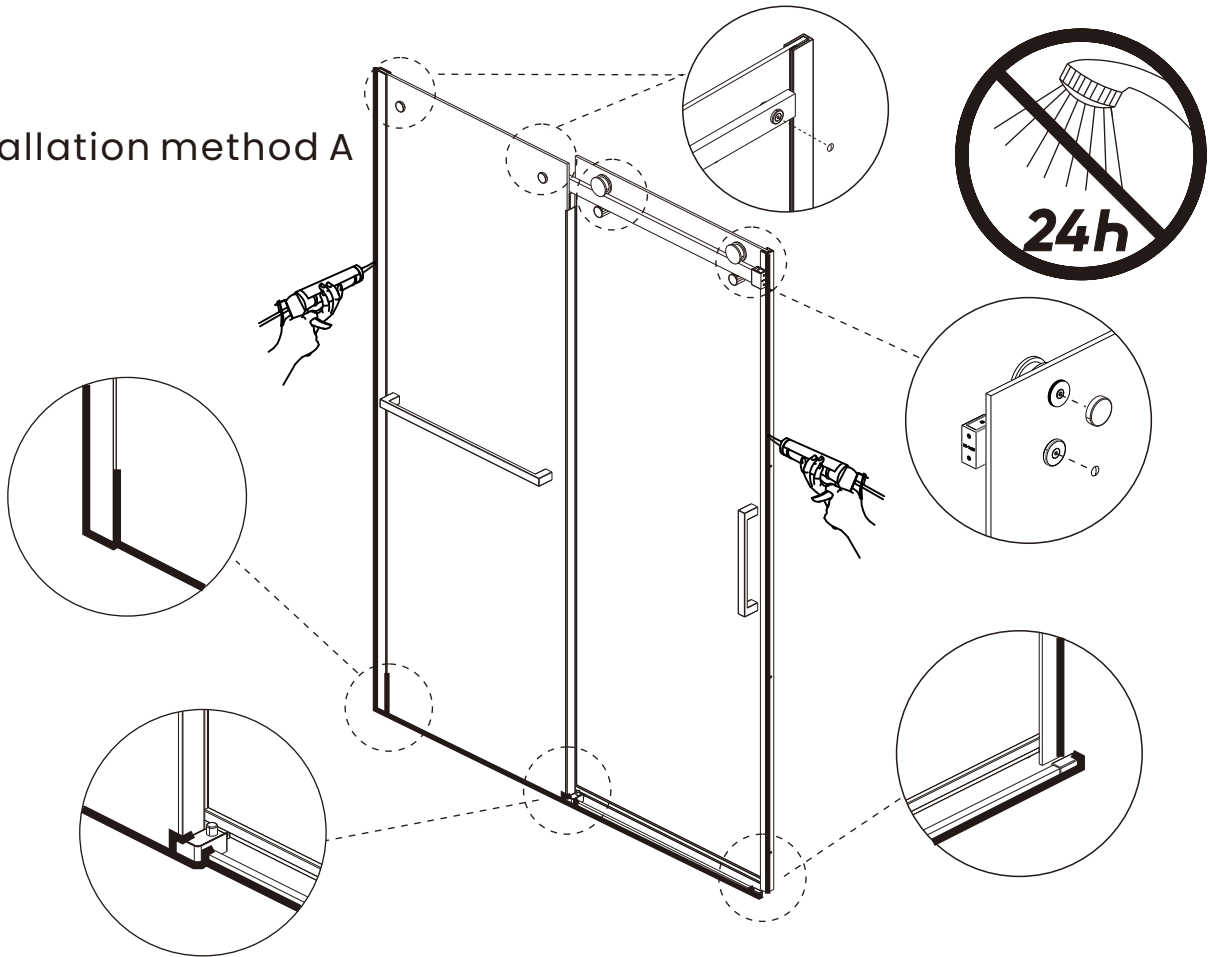
10



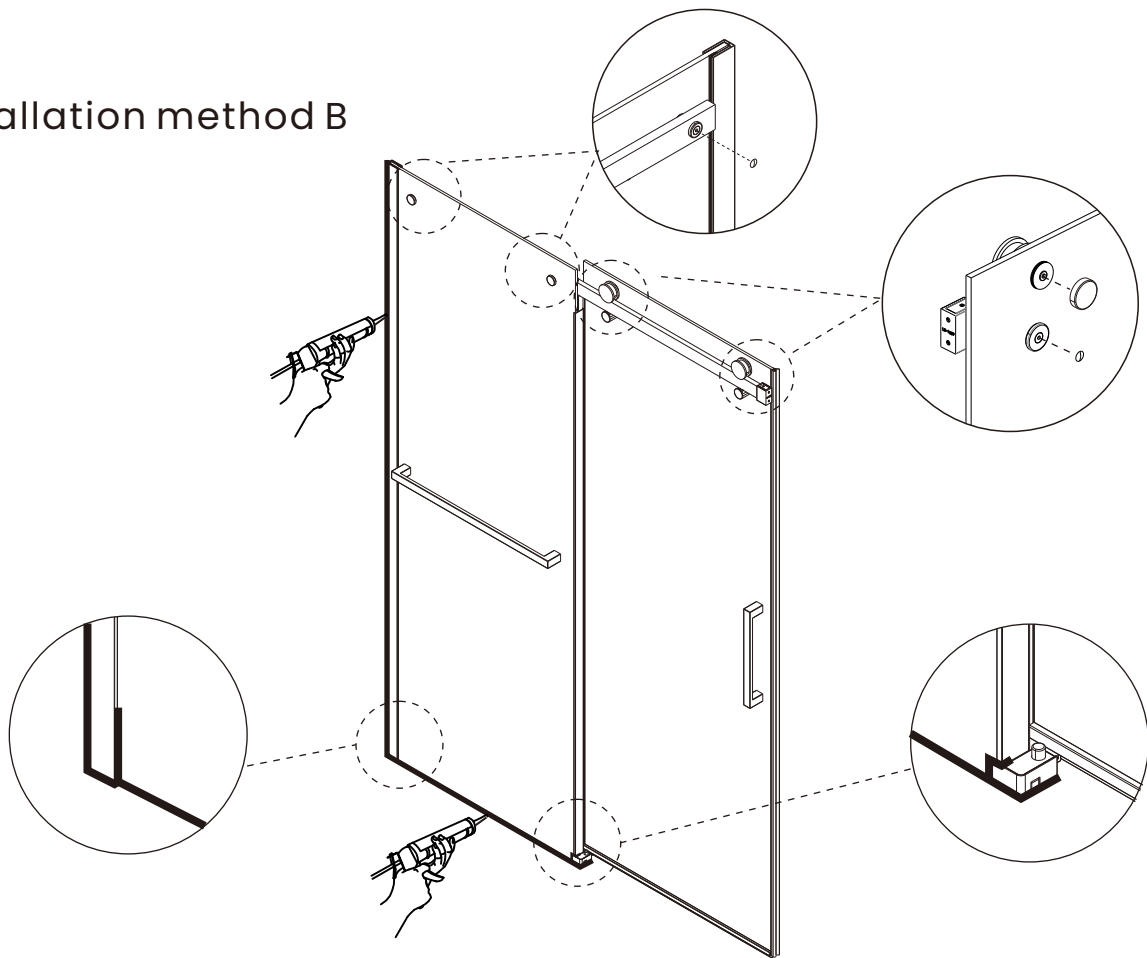
11



Installation method A



Installation method B



Conservez ce manuel pour usage ultérieur

Save this manual for future reference



1-833-411-7372

www.SeraBathroomDesigns.com

CONSERVEZ CES INFORMATIONS
KEEP THIS INFORMATION

Date d'achat/ Purchase date:

Suivi et Référence du Produit

Product Tracking Reference
