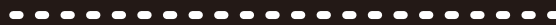




1-833-411-7372

Thank you for your business.

If you experience difficulties with this product, do not return to the point of purchase. Please contact SERA BATHROOM DESIGNS directly, and we will replace defective parts free of charge.



Nous vous remercions pour votre achat.

Si vous éprouvez des difficultés avec ce produit, ne le retournez à son point d'achat. Veuillez contacter SERA BATHROOM DESIGNS directement, et nous allons remplacer les pièces défectueuses a nos frais!



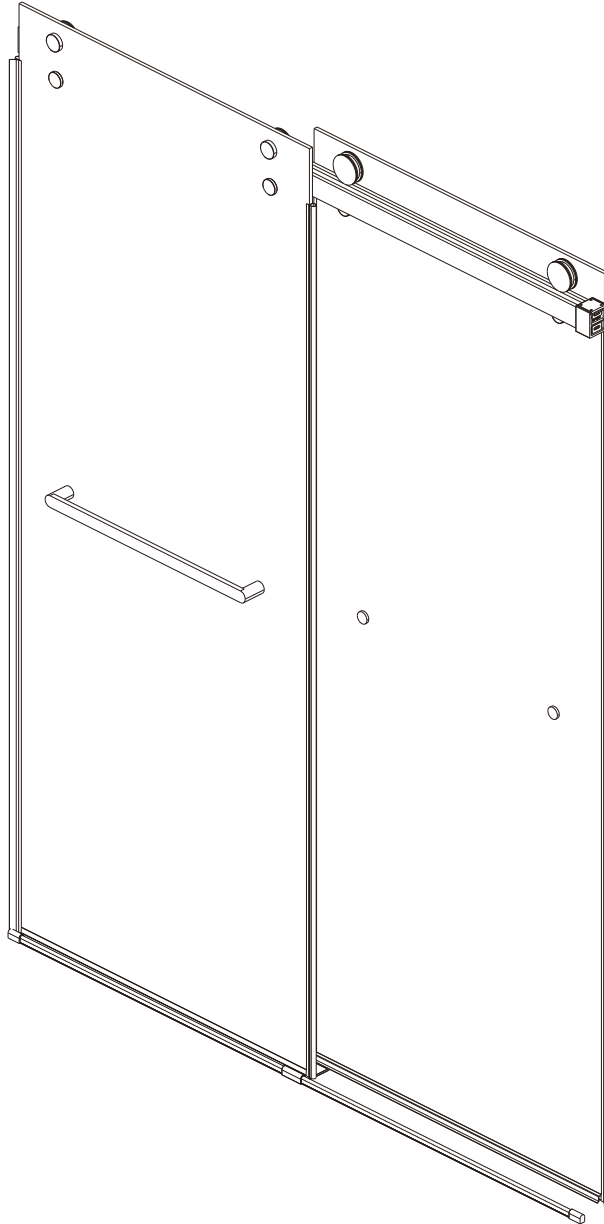
Gracias por su compra.

Si usted tiene problemas con este producto, por favor de no regresarlo al mismo lugar donde lo adquirió. Contáctarse con la empresa SERA BATHROOM DESIGNS y reemplazarán las piezas defectuosas sin cargo.

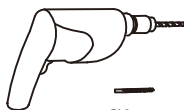
1-833-411-7372

www.SeraBathroomDesigns.com

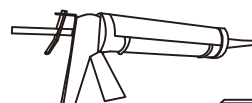
Installation instruction

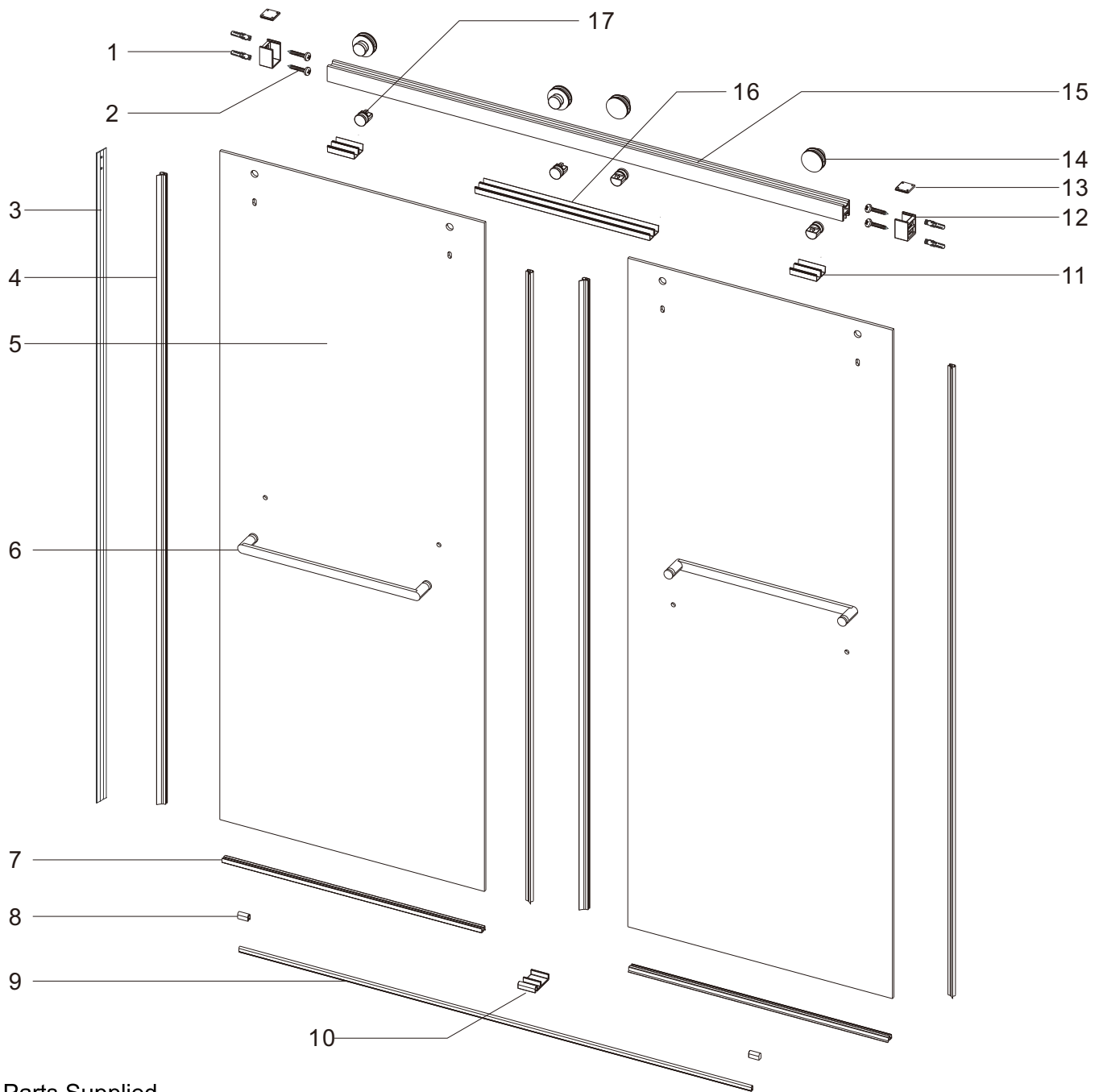


Tools Required:

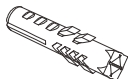
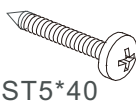
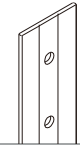
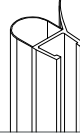
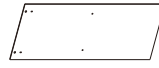

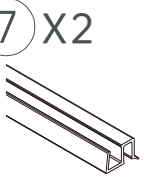
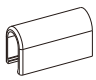
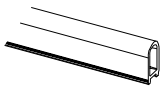
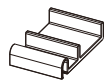

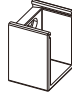
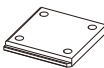

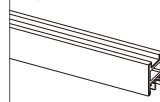


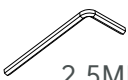


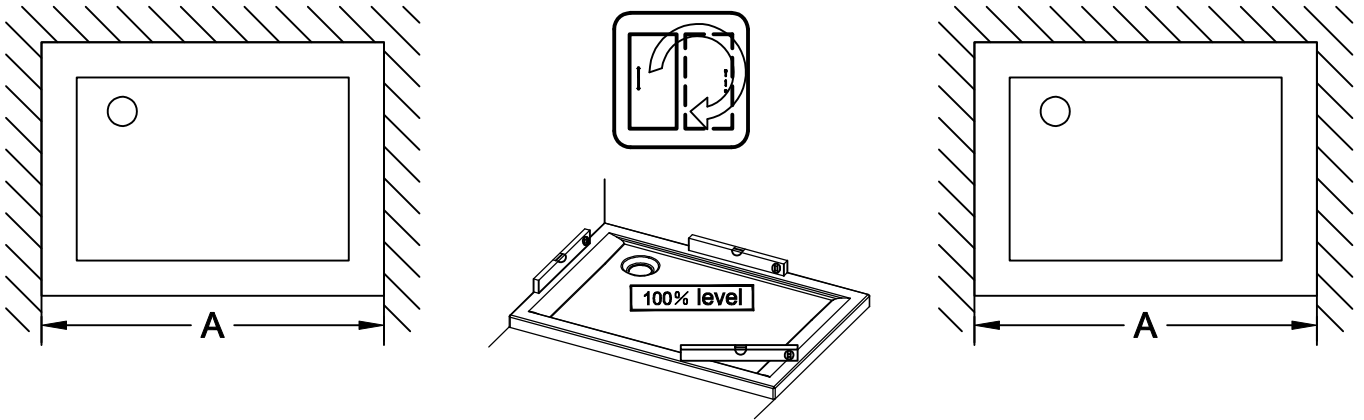
Ø8mm





Parts Supplied

<p>1 X4</p>  <p>Ø8*38</p> <p>PP</p>	<p>2 X4</p>  <p>ST5*40</p> <p>SUS 304</p>	<p>3 X1</p>  <p>Aluminium</p>	<p>4 X4</p>  <p>PVC</p>	<p>5 X2</p>  <p>Glass</p>	<p>6 X2</p>  <p>SUS 304</p>
<p>7 X2</p>  <p>PVC</p>	<p>8 X2</p>  <p>ABS</p>	<p>9 X1</p>  <p>Aluminium</p>	<p>10 X1</p>  <p>ABS</p>	<p>11 X4</p>  <p>PVC</p>	<p>12 X2</p>  <p>SUS 304</p>
<p>13 X2</p>  <p>SUS 304</p>	<p>14 X4</p>  <p>SUS 304</p>	<p>15 X1</p>  <p>SUS 304 & Aluminium</p>	<p>16 X2</p>  <p>PVC</p>	<p>17 X4</p>  <p>SUS 304</p>	<p>18 X1</p>  <p>2.5MM 5MM</p> <p>Carbon steel</p>

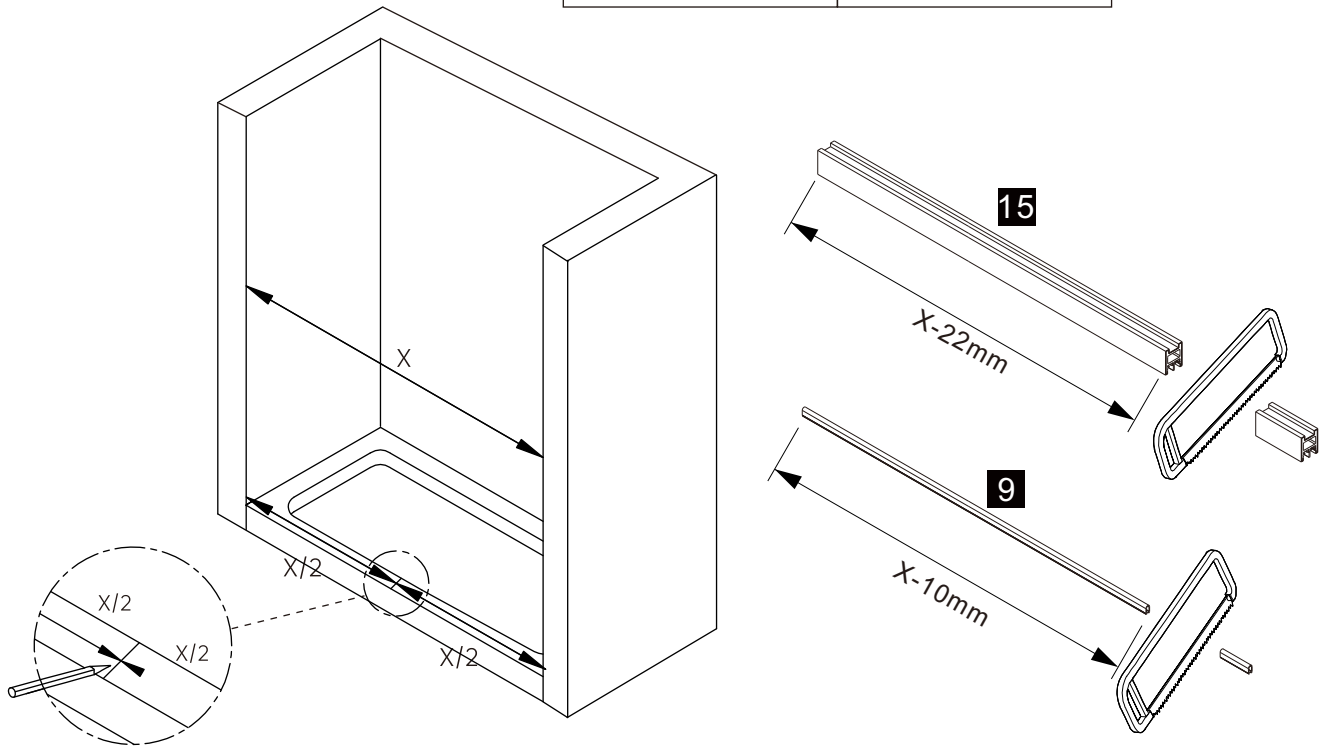


IMPORTANT - Installation site

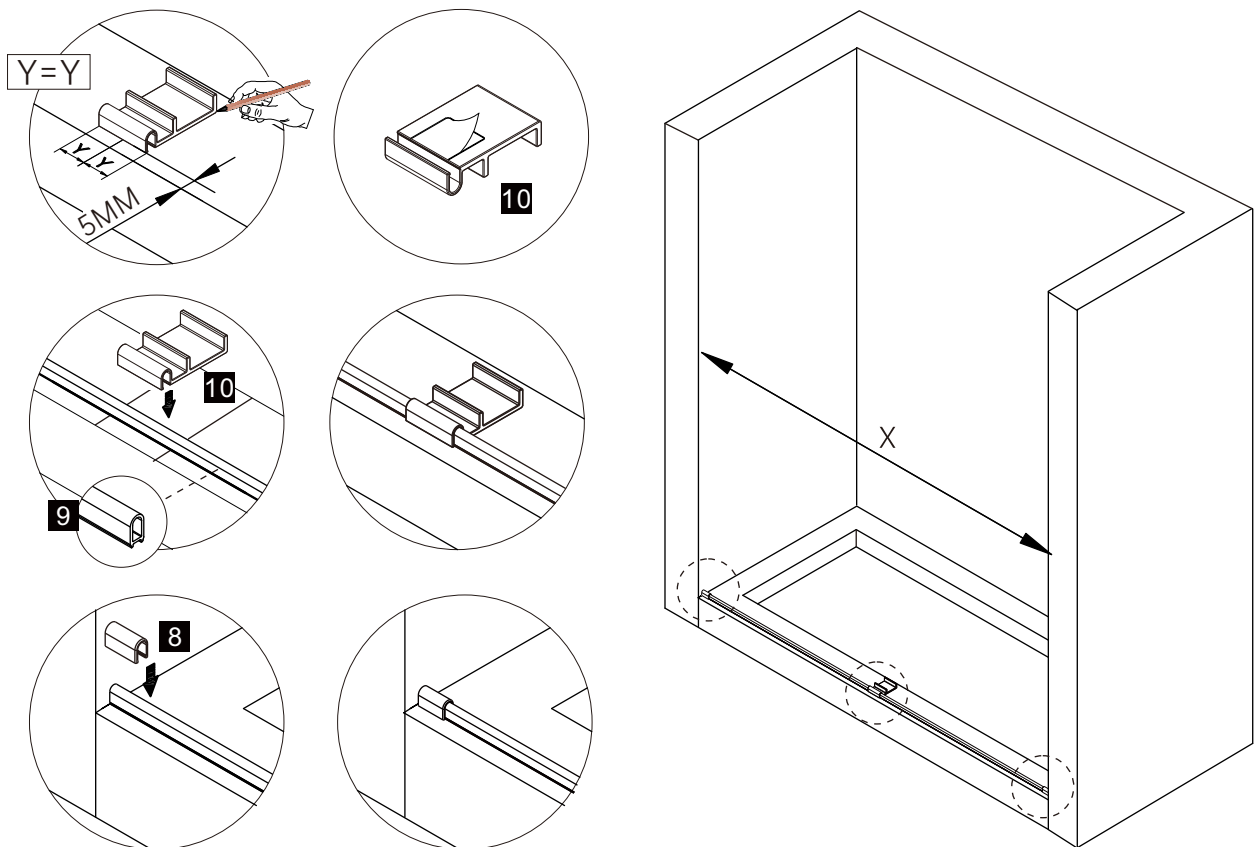
1. Ensure the top surface of the shower tray on which the enclosure will be installed is level in every direction.
2. The tiles or other wall finishing should be effectively sealed at the tray edges.
3. Tiles should extend at least to the corners of the tray and a minimum of 2.1 metres from the top of the tray.

1

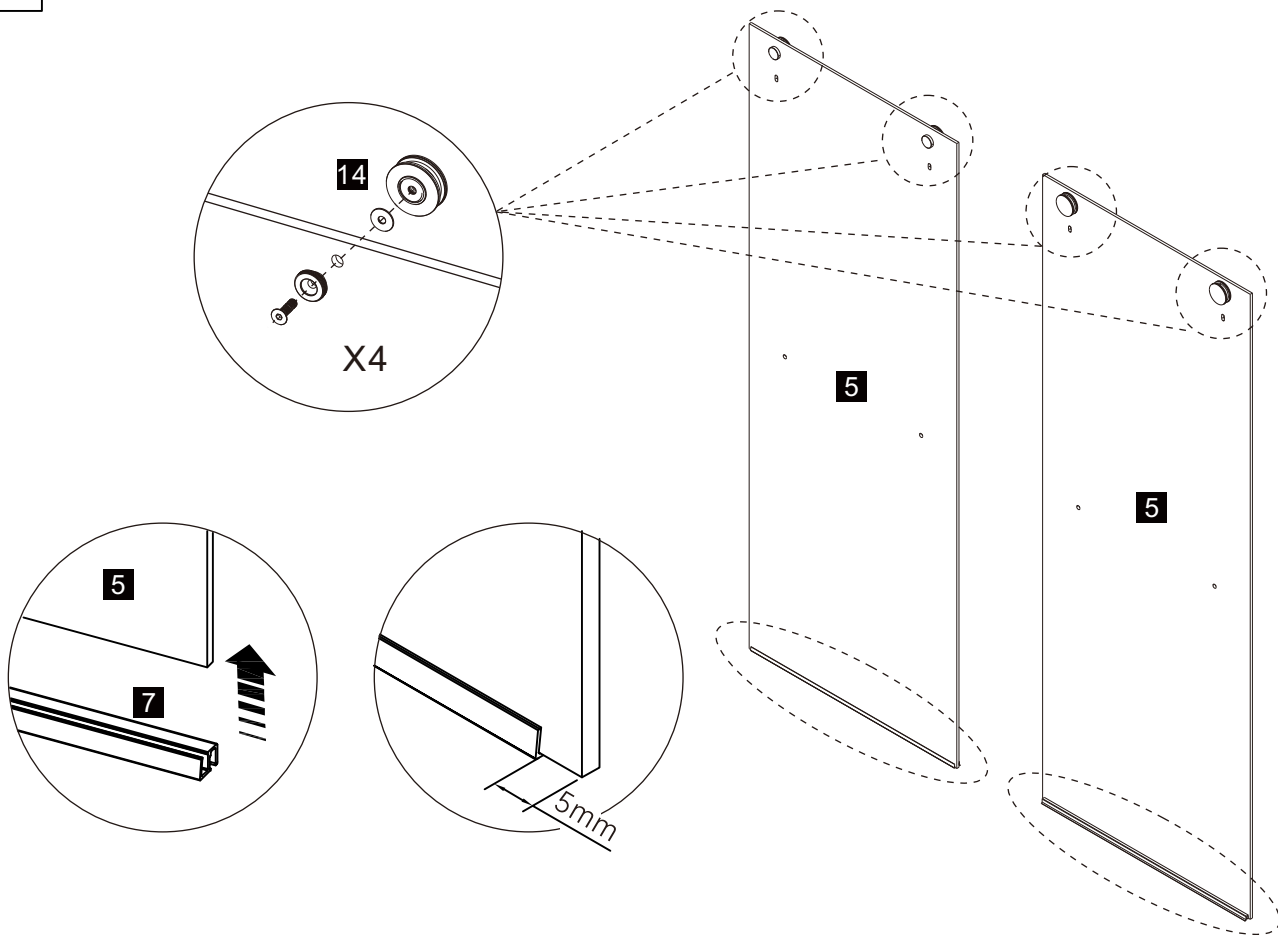
CODE	X(mm)
CAA-EX-S722 1524	1372-1473



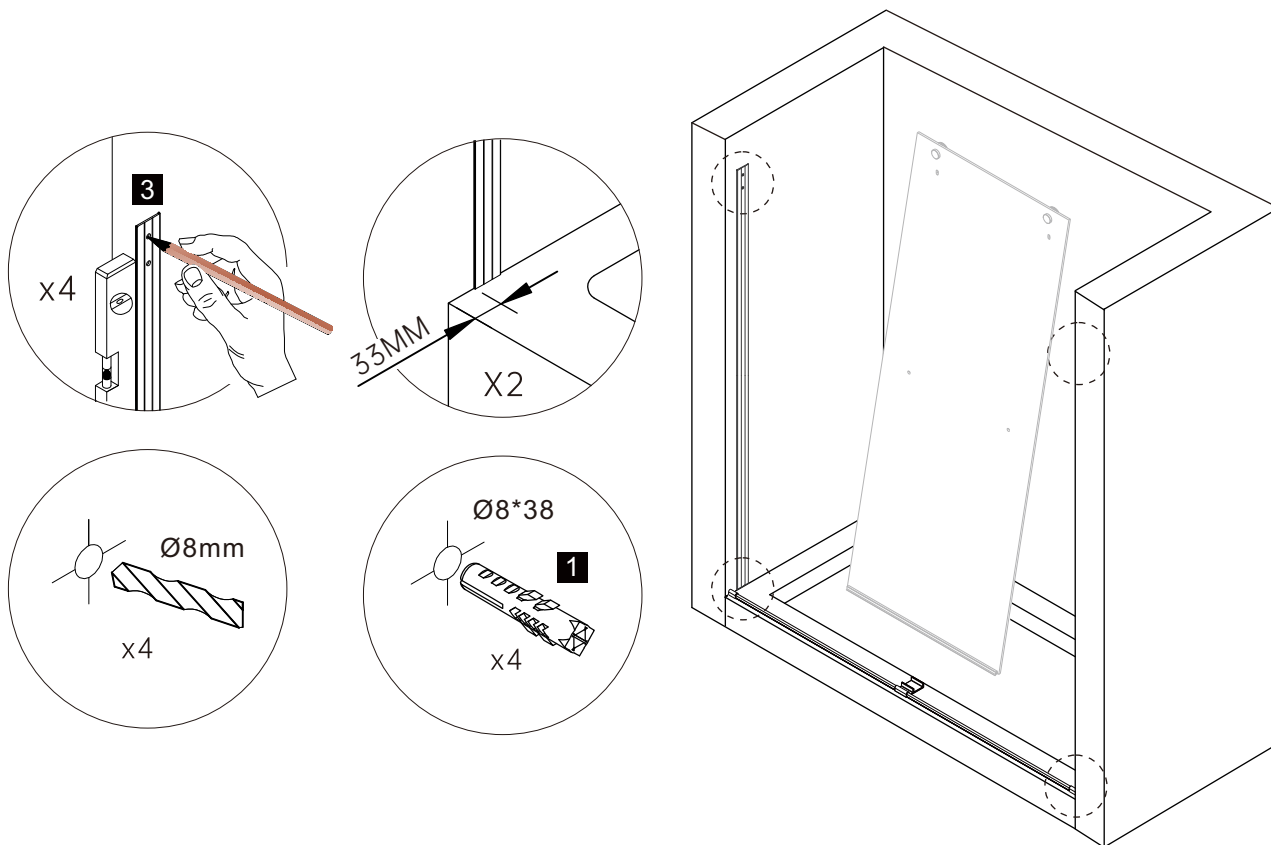
2



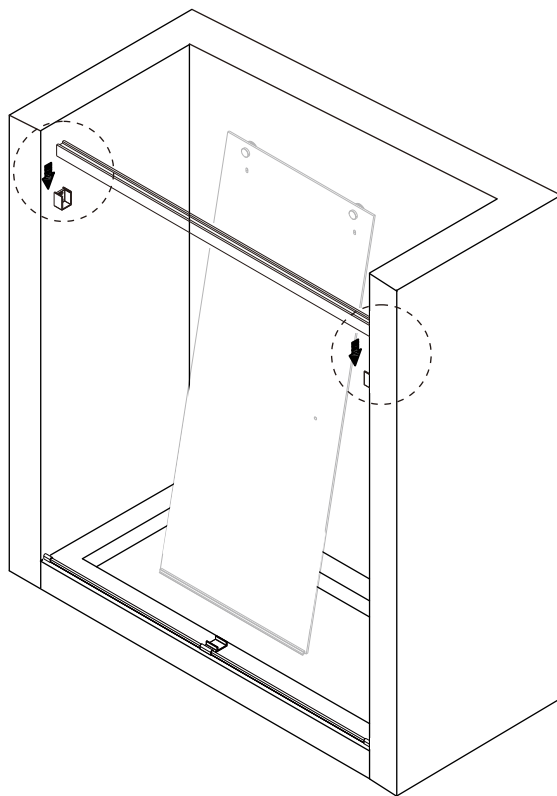
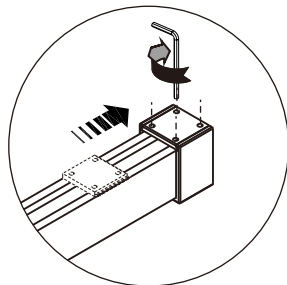
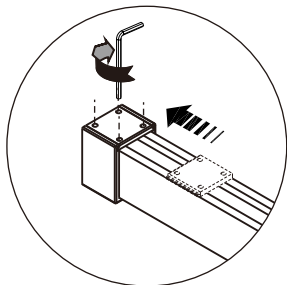
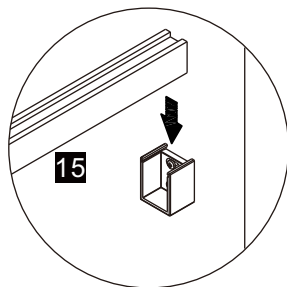
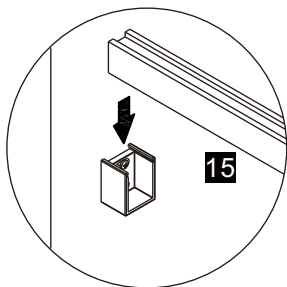
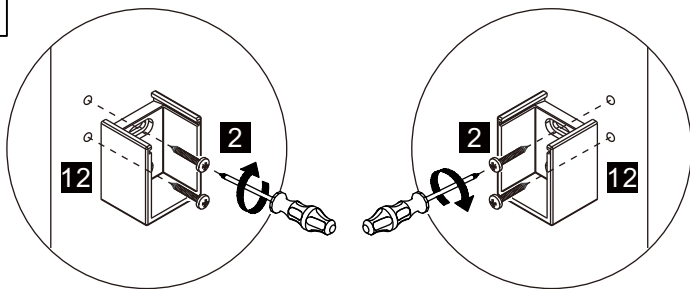
3



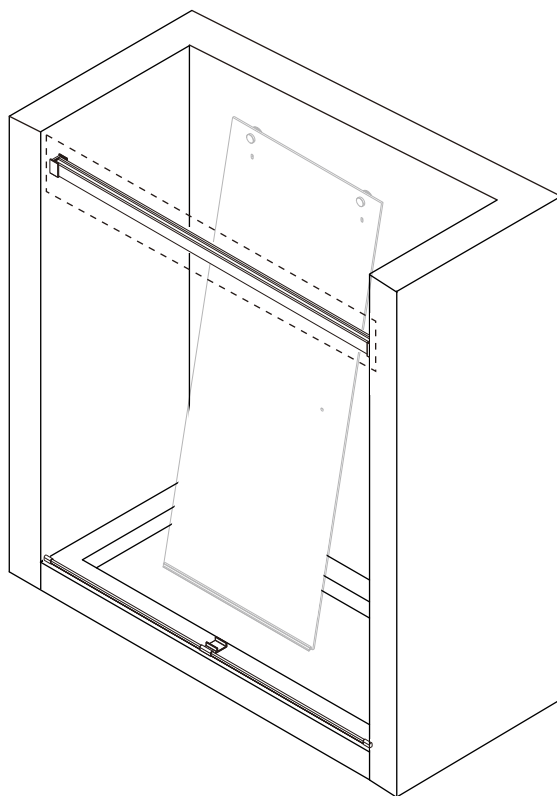
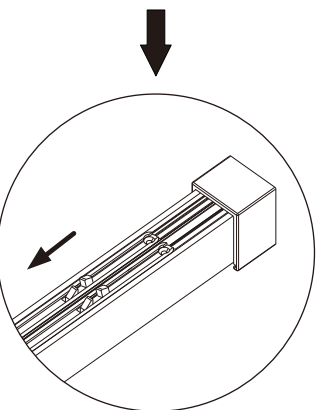
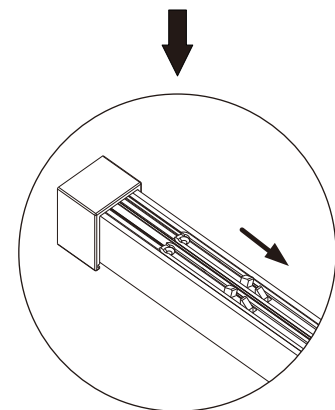
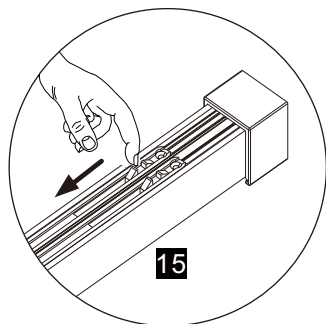
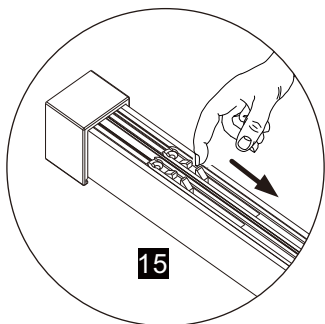
4



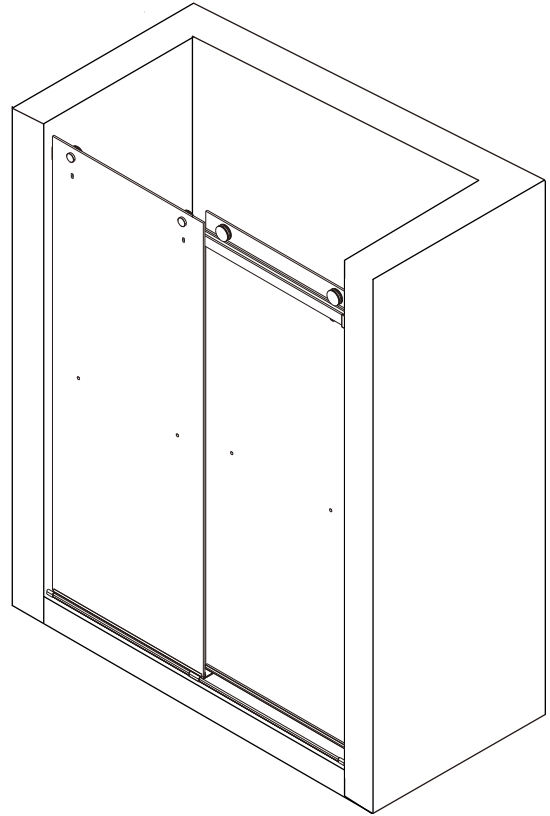
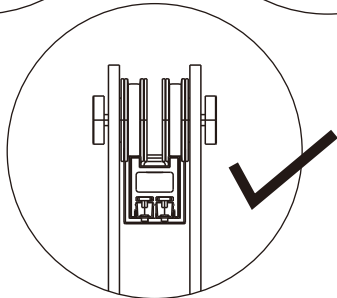
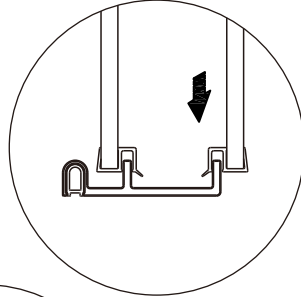
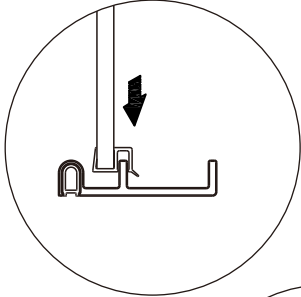
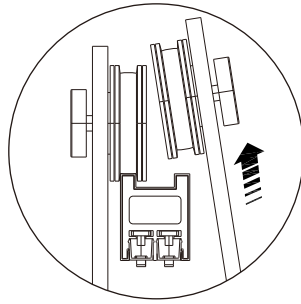
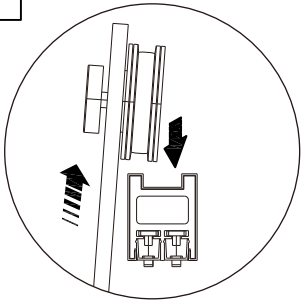
5



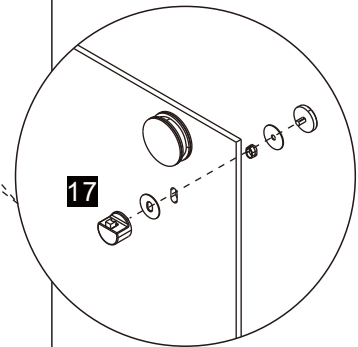
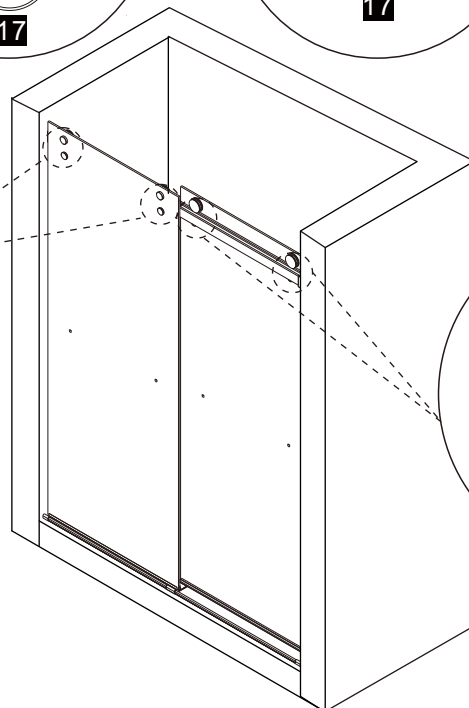
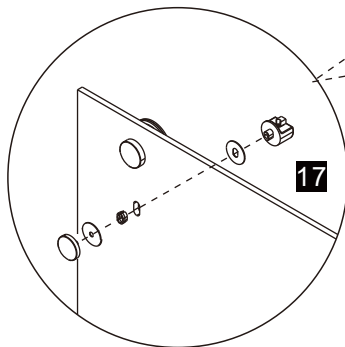
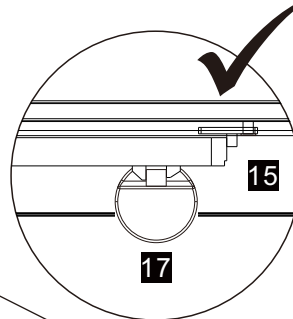
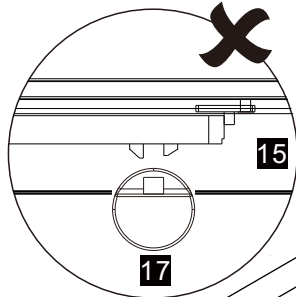
6



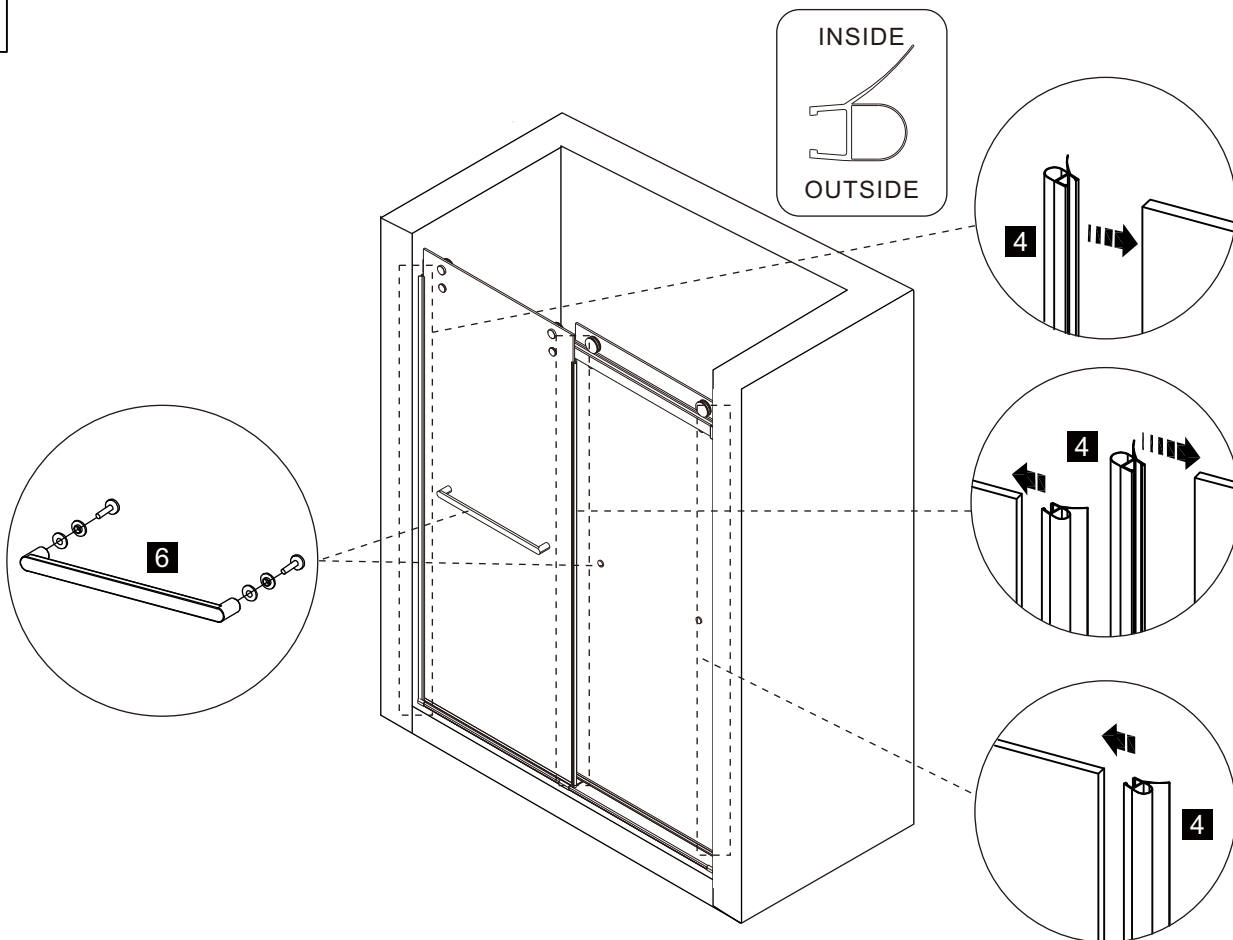
7



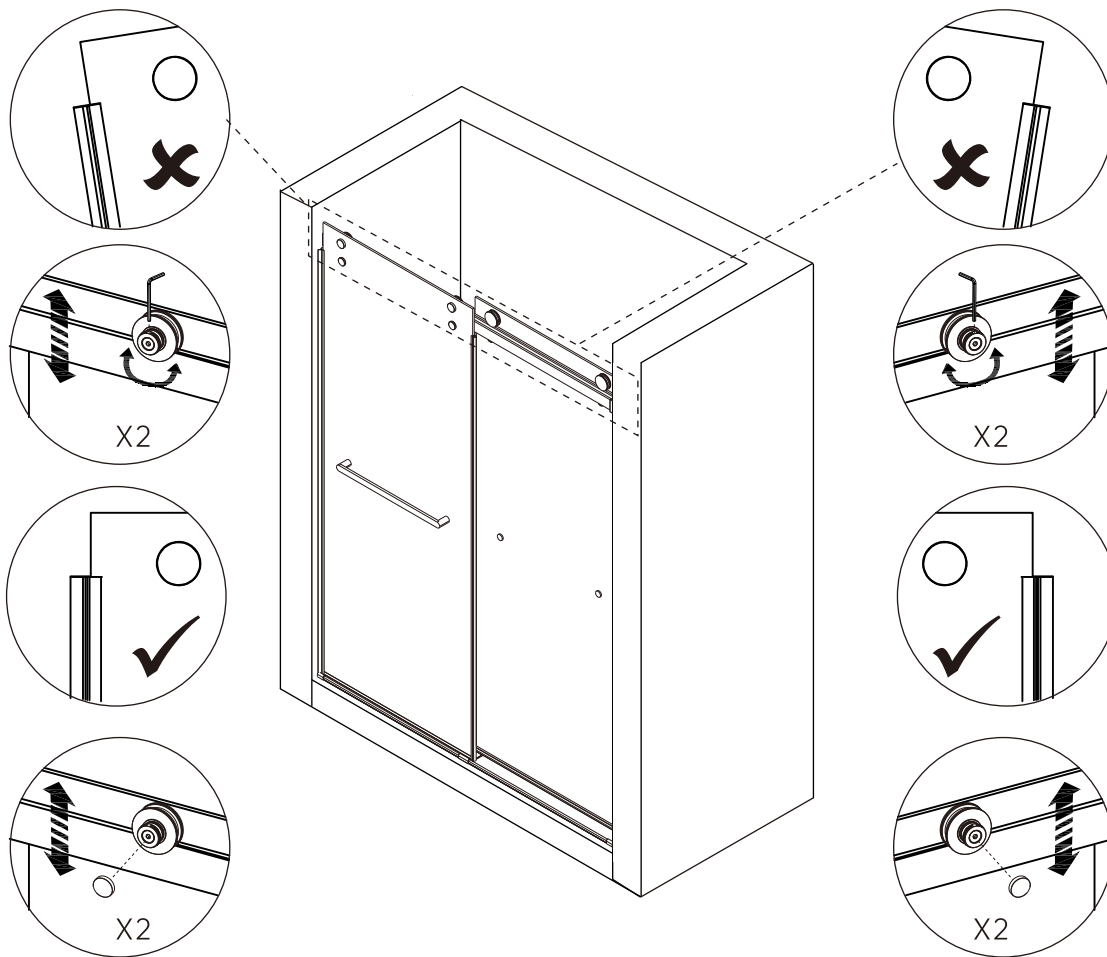
8



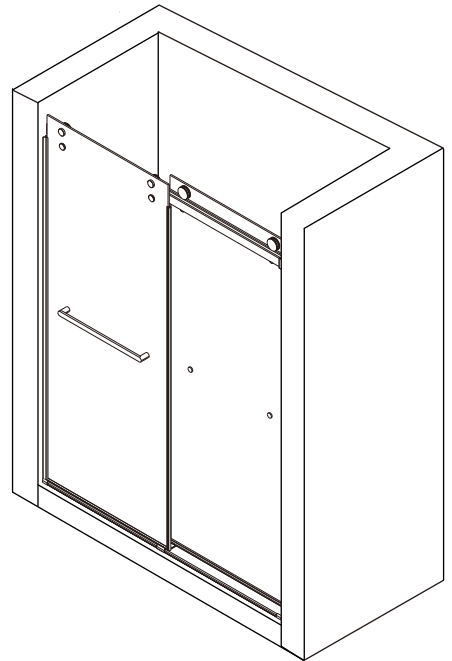
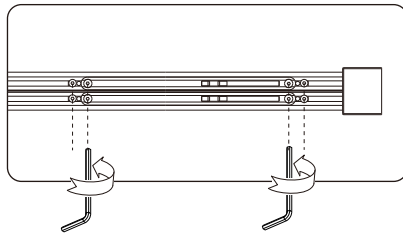
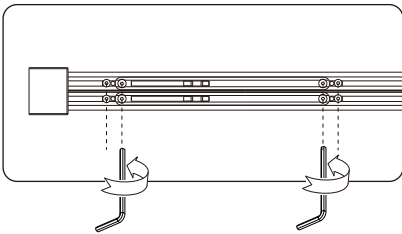
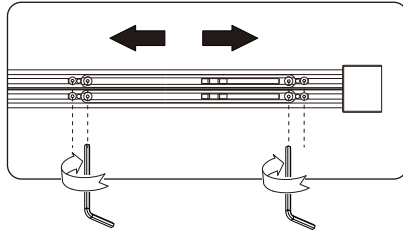
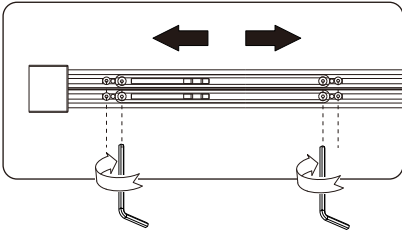
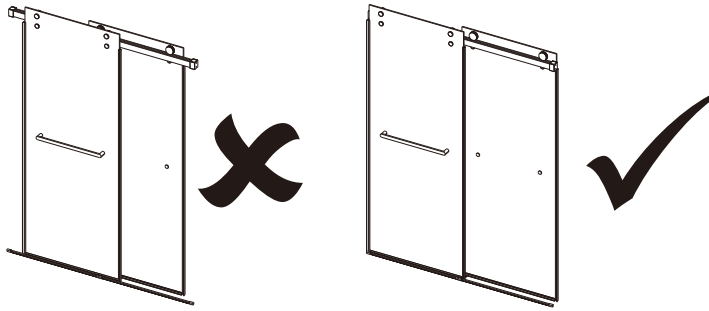
9



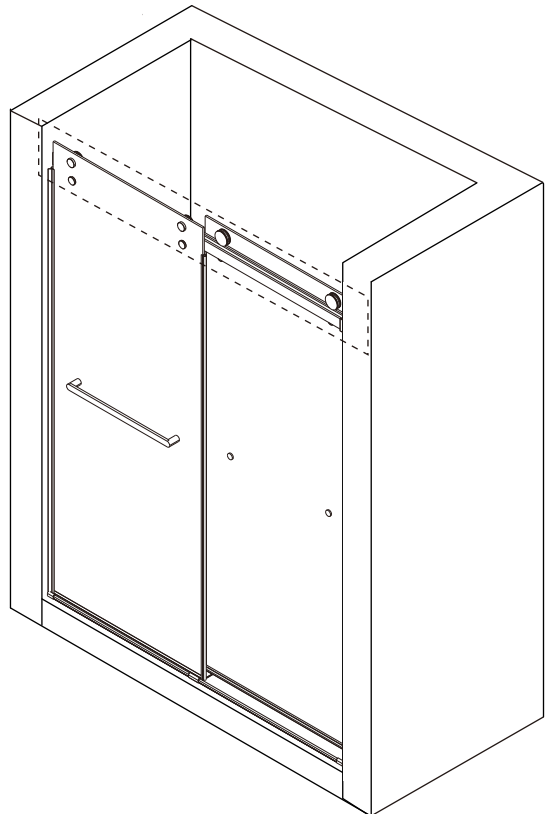
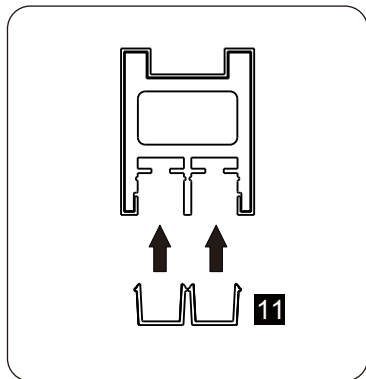
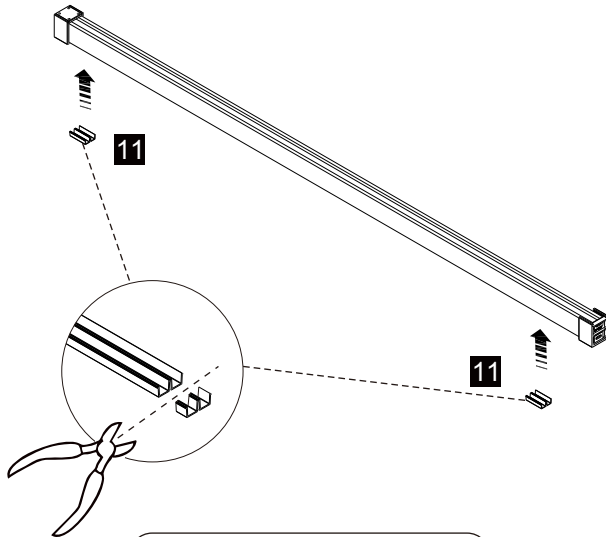
10



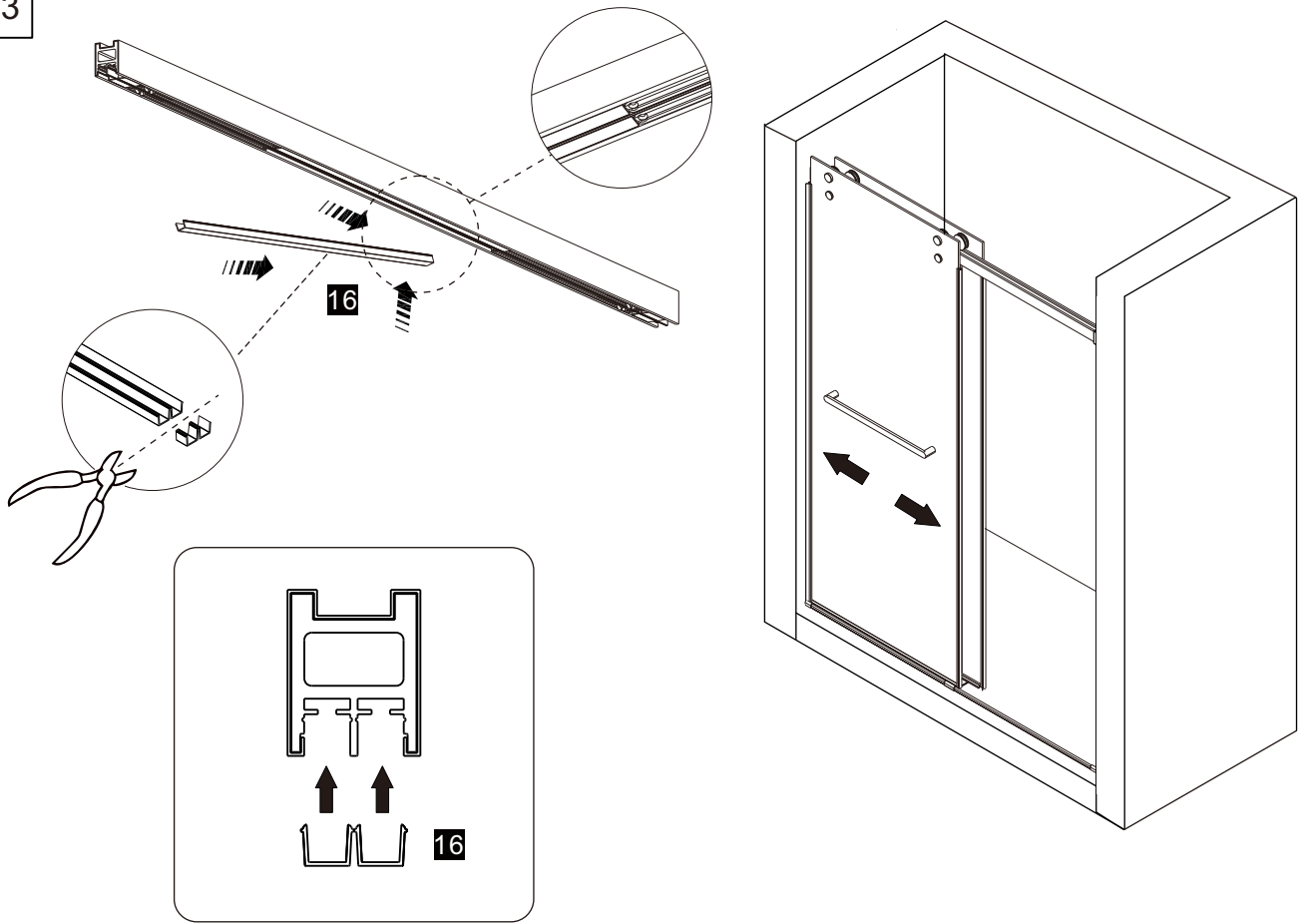
11



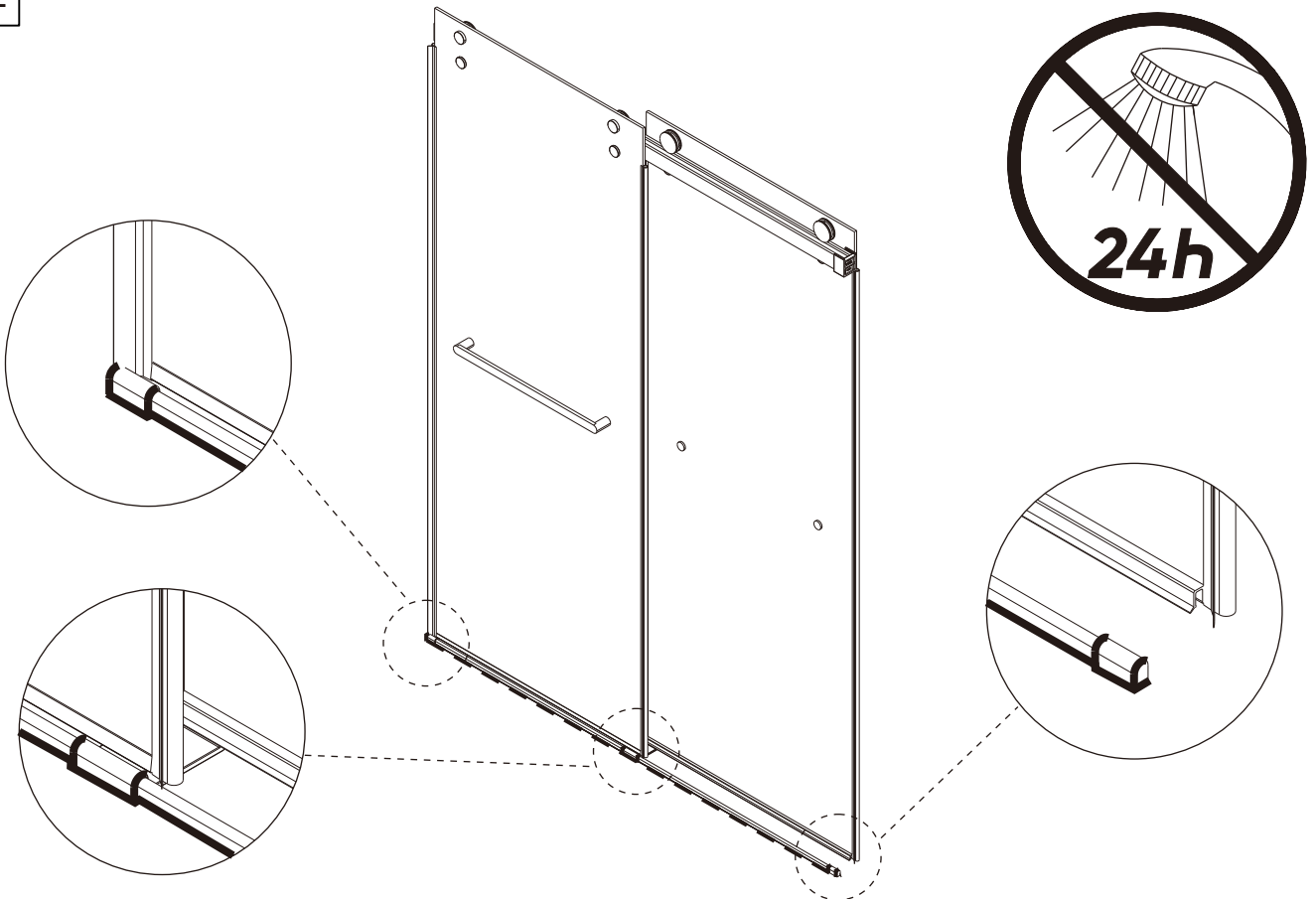
12



13



12



Conservez ce manuel pour usage ultérieur

Save this manual for future reference



1-833-411-7372

www.SeraBathroomDesigns.com

CONSERVEZ CES INFORMATIONS
KEEP THIS INFORMATION

Date d'achat / Purchase date :

Suivi et Référence du Produit

Product Tracking Reference
