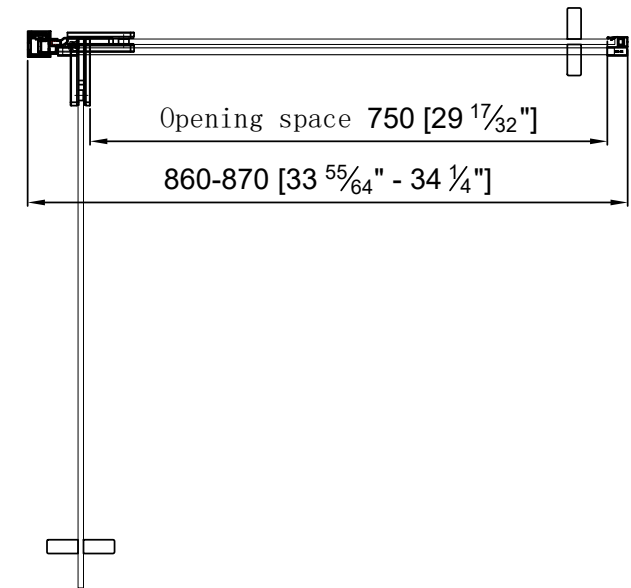


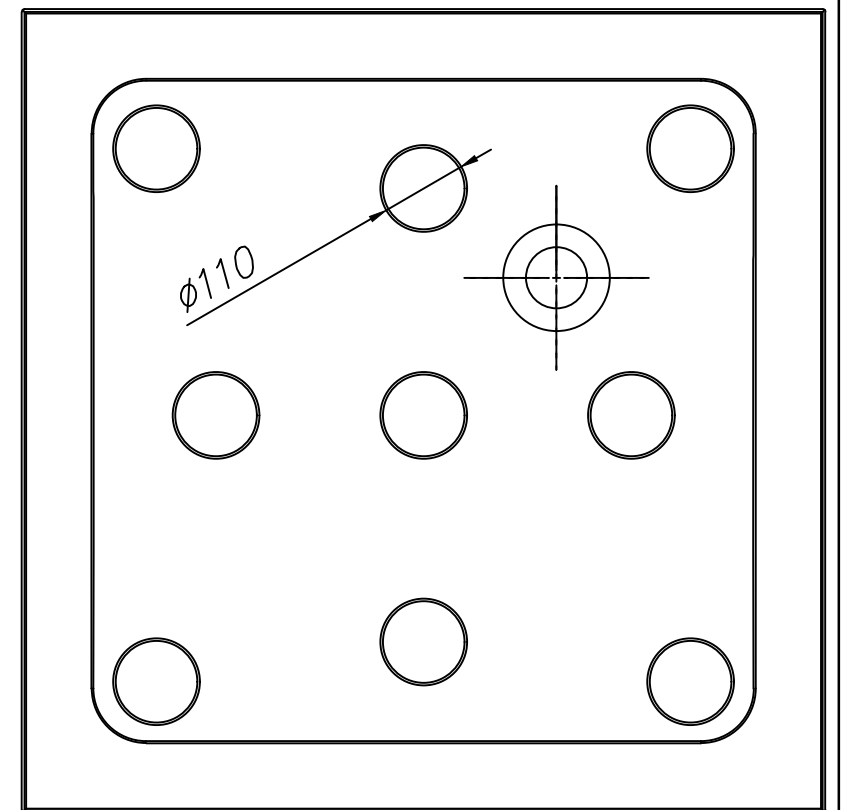
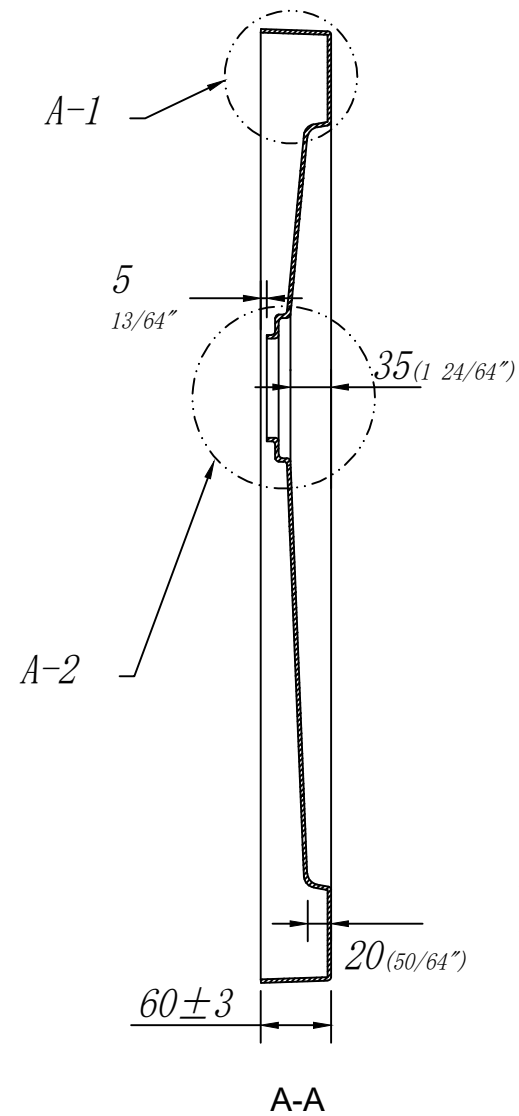
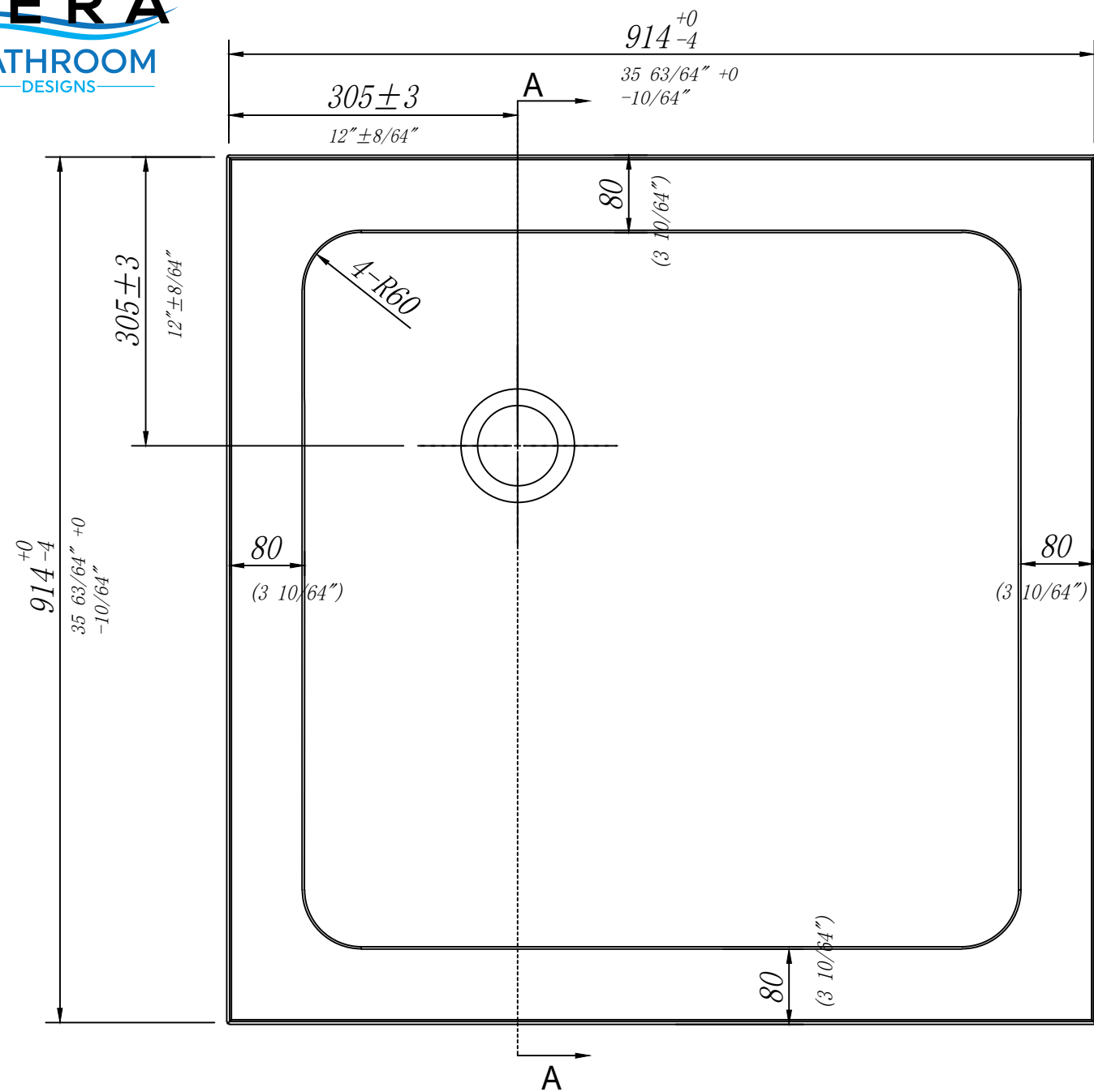
Front view

BOM						
No.	Name	Drawing	Spec/mm	Qty	Material	Remark
1	Decoration profile		1999	1PCS	SUS 304	
2	Hinge profile		1999	1PCS	SUS 304	
3	Wall profile		2000	1PCS	SUS 304+ Aluminium	
4	Moving glass		1977*794*8	1PCS		
5	Magnetic seal profile		2000	1PCS	SUS 304	
6	Seal		2000	1PCS	PVC	
7	Handle		Hole distance 900	1PCS	SUS 304	
8	Waterproof fixing			2PCS	SUS 304	
9	Waterproof		800	1PCS	SUS 304	
10	Bottom seal		809	1PCS	PVC	

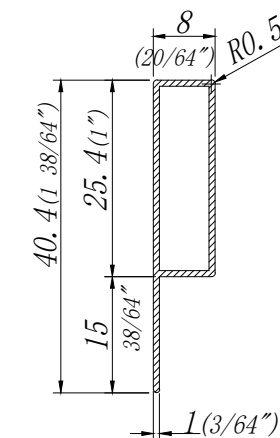


36PD-BGD-BASE-WHT-DV-PKG

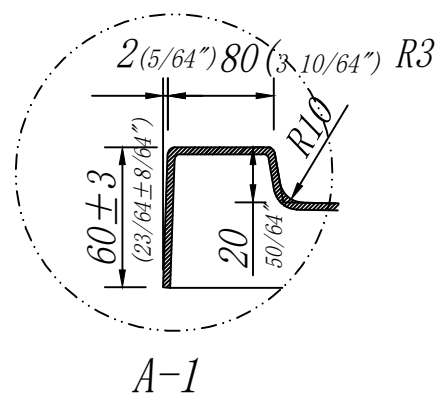
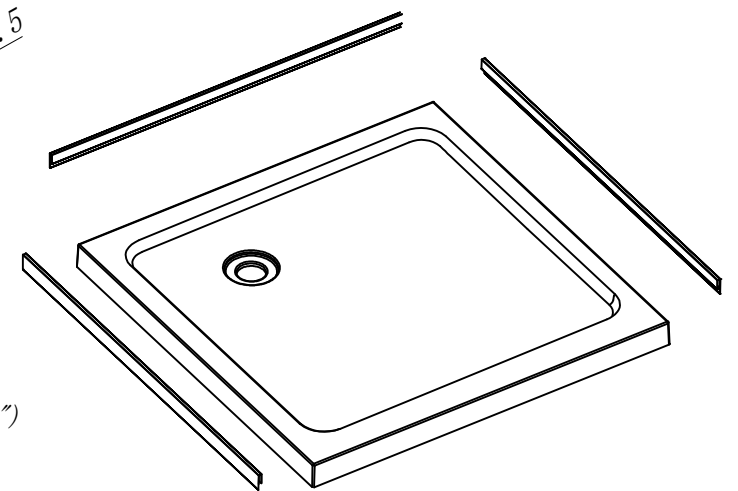




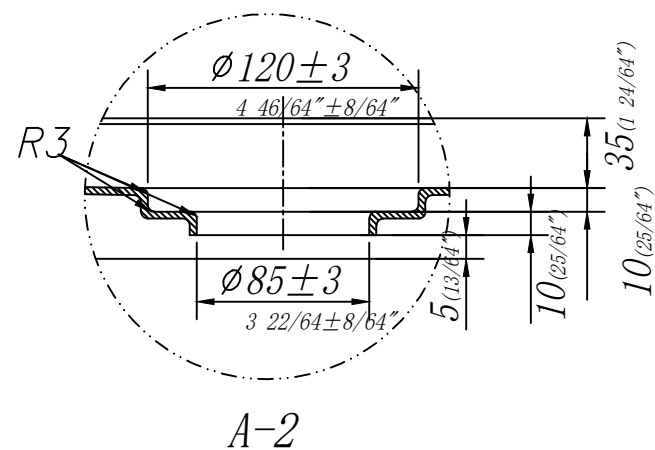
Bottom view



Movable flange



A-1



A-2

36PD-BGD-BASE-WHT-DV-PKG