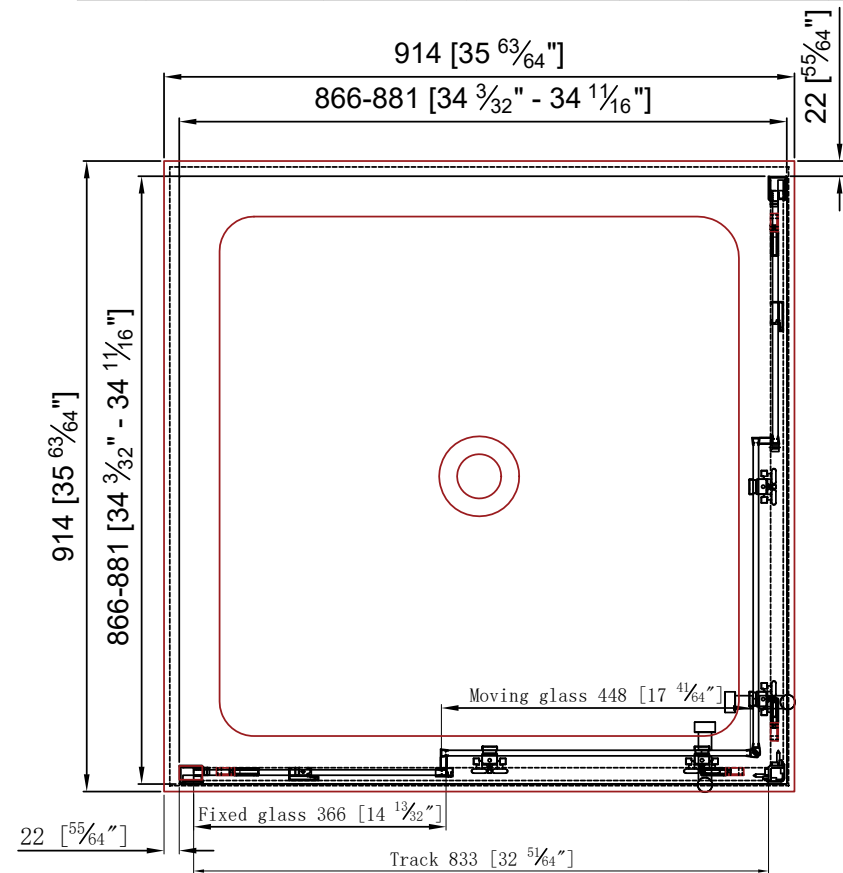
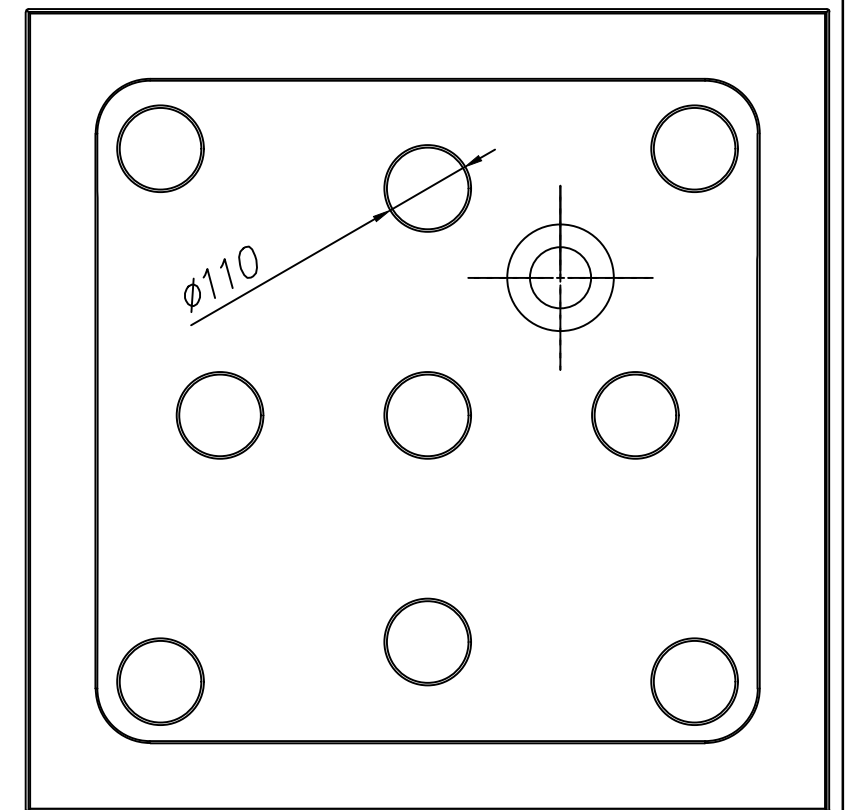
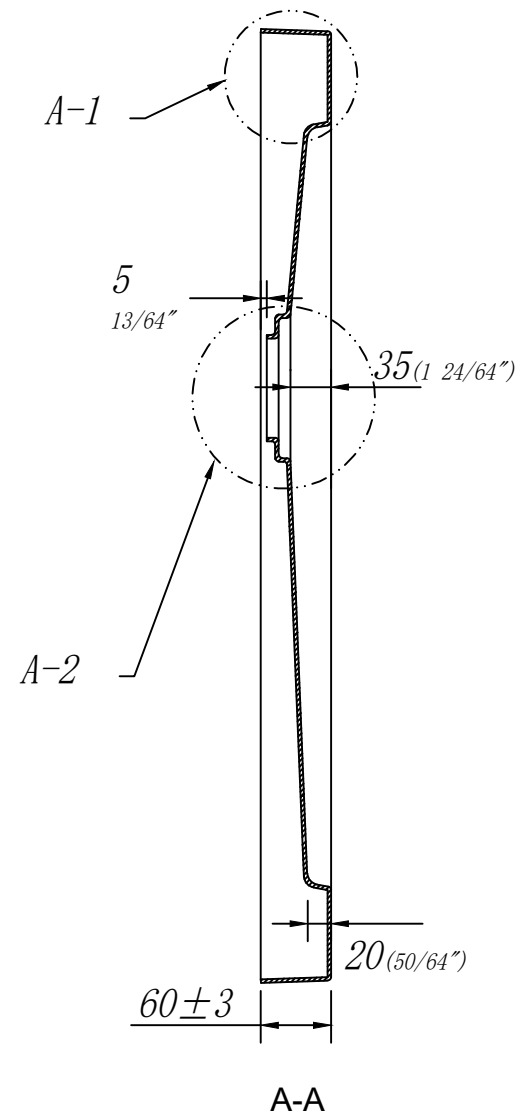
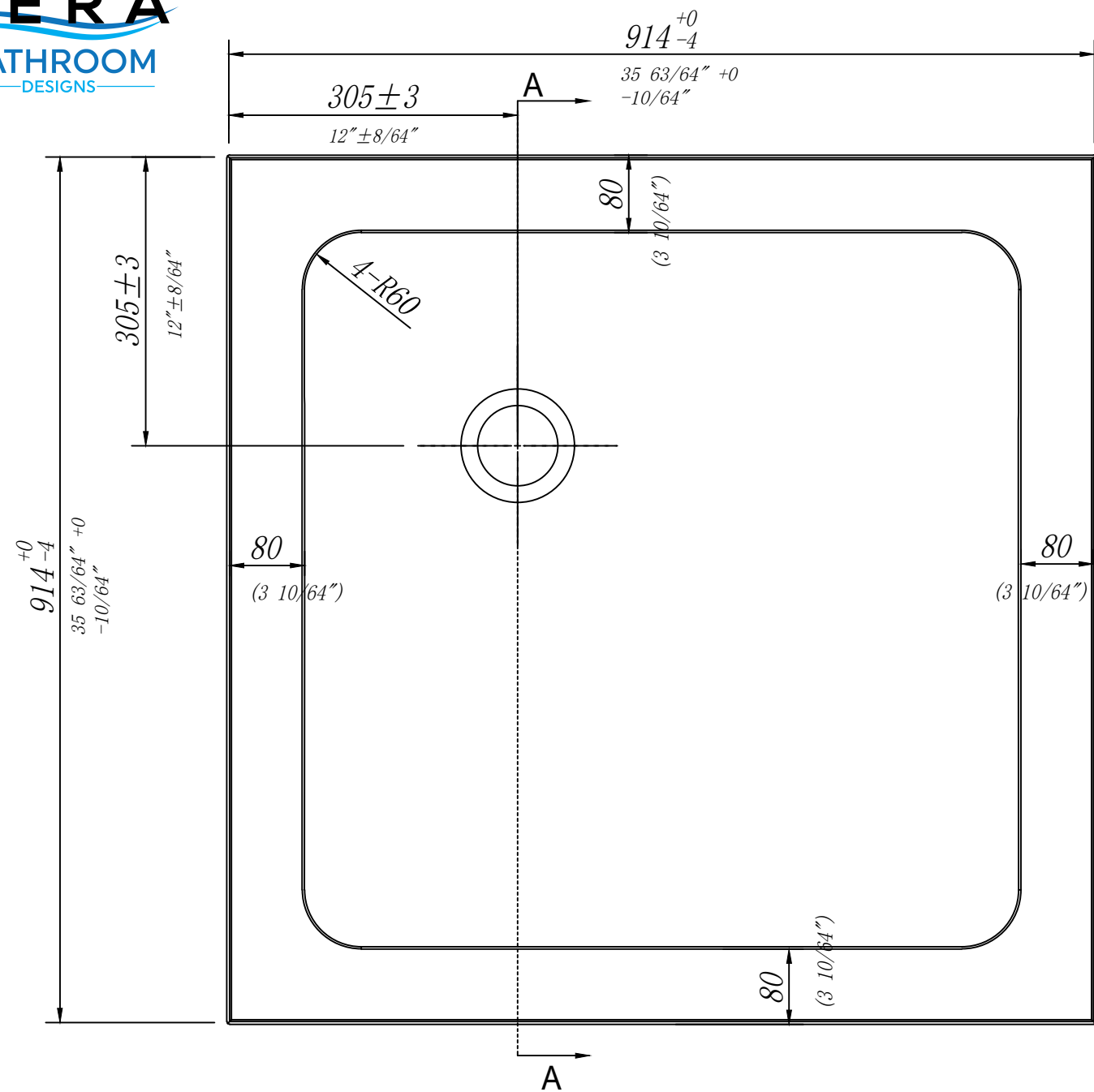


Front view

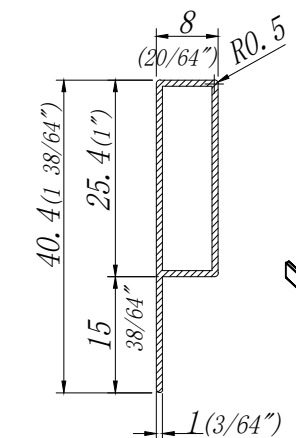
36CS-BGD-BASE-BLK-BY-PKG

BOM						
No.	Name	Drawing	Spec/mm	Qty	Material	Remark
1	Wall Profile		2000	2PCS	Aluminium	
2	Seal		1934	2PCS	PVC	
3	Fixed glass		1930*366*8	2PCS		
4	Seal		1983/1914	4PCS	PVC	
5	Moving glass		1983*448*8	2PCS		
6	Handle			1PCS	SUS 304	
7	Bottom track			2PCS	Aluminium+ABS	
8	Bottom roller			4PCS	SUS 304	
9	Connector			2PCS	SUS 304	
10	Top cover			2PCS	ABS	
11	Top track			2PCS	6463+ABS	
12	Top roller			4PCS	SUS 304	
11	Magnetic seal			2PCS	PVC+ Magnetic powder	

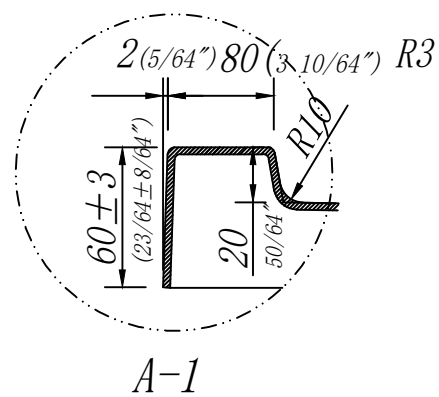
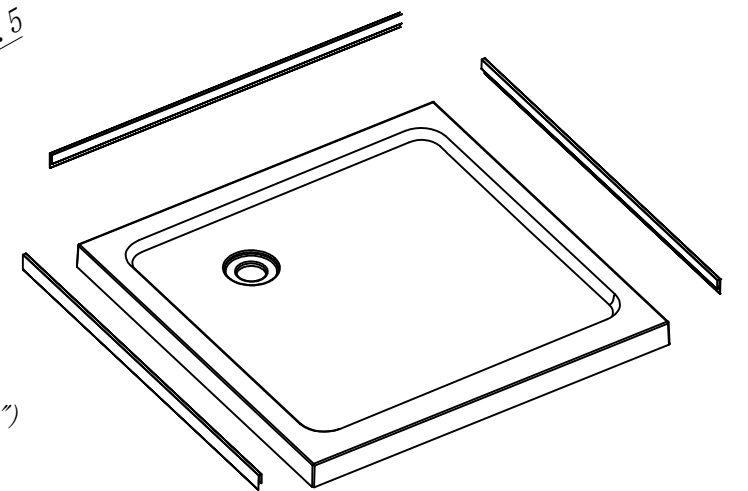




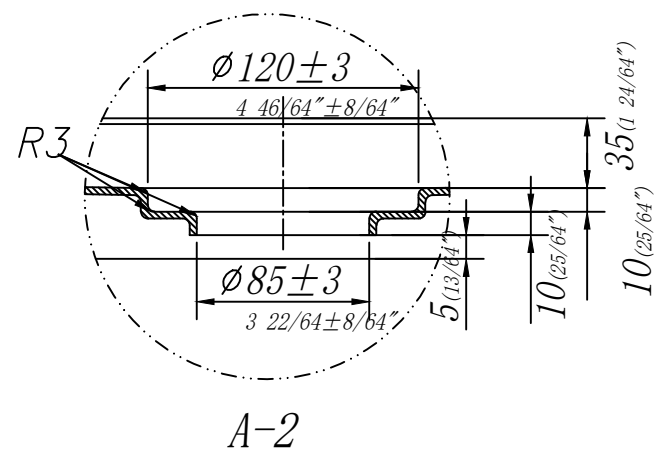
Bottom view



Movable flange



A-1



A-2

**36CS-BGD-BASE-BLK-BY-PKG**