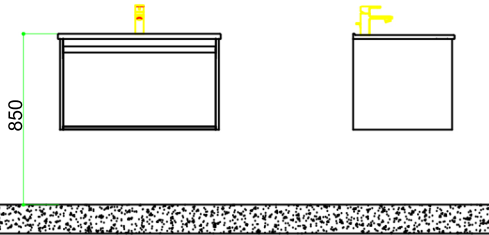
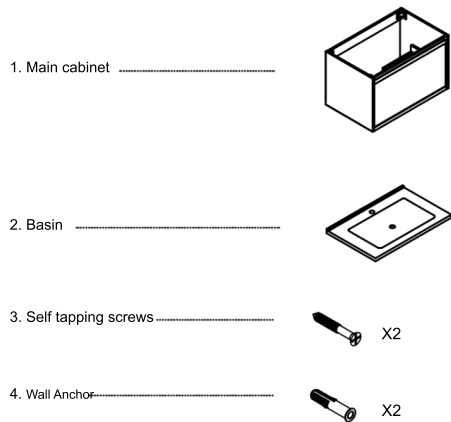


32-KOAK-CMB-LR-WT

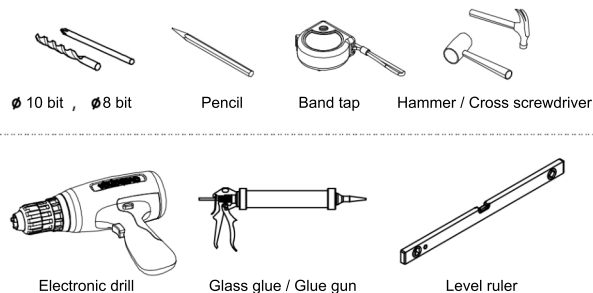
A. Installation Instruction



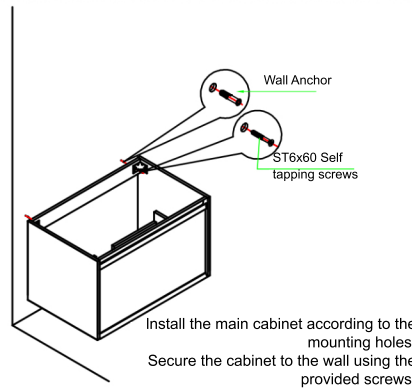
B. Installation of accessories



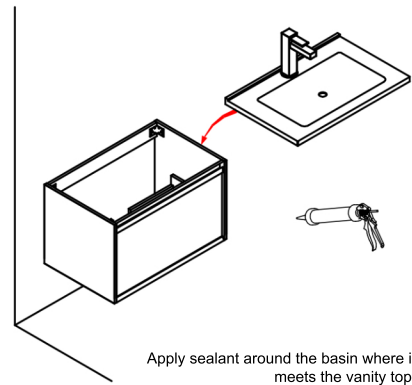
C. Tools



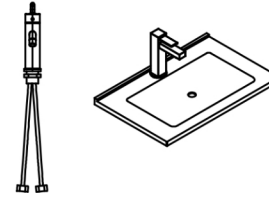
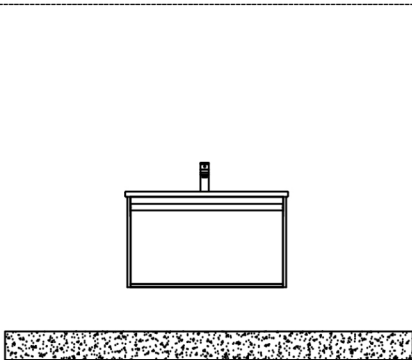
D. Installation steps



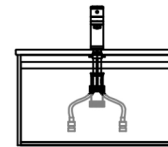
1 2
3 4



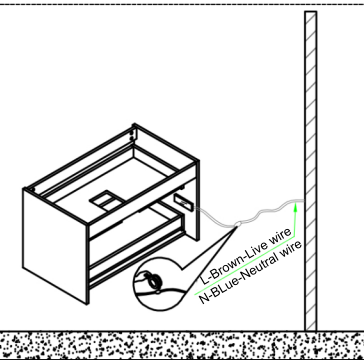
5 6



Faucet installation: Install the faucet on the basin. Ensure all connections are properly tightened with no water leakage. Secure the faucet without over-twisting the connections.

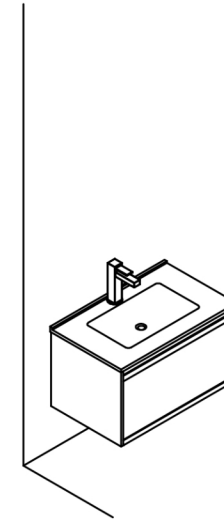


Hot and cold water pipe installation: Tighten all hose connections and water supply lines to prevent leakage. Connect the hot and cold water pipes ensuring they correspond correctly to the faucet's hot and cold controls.



Wiring diagram

E. Final



F. Daily use attention

⚠ Attention		
Prohibited	Cleaning agent with (acidic) mark	Bathroom cabinet may change color
	Cleaning agent with (alkaline) mark	
①	<p>IMPORTANT SAFETY REQUIREMENTS MUST BE EXECUTED:</p> <p>Cleaning Requirements: Do not use acidic or alkaline cleaning agents on this vanity. Many commercial cleaners contain abrasives and harsh chemicals that can damage stainless steel, enamel, plated, or plastic surfaces. Clean only with mild detergent or soap solution, rinse thoroughly, and wipe dry with a clean cloth. Clean electric mirrors with a suede cloth for optimal performance.</p> <p>Moisture and Ventilation: Maintain good bathroom ventilation at all times by keeping windows and doors open when possible to prevent moisture buildup. Although the cabinet has moisture-resistant treatment, never allow water to directly contact or splash onto cabinet surfaces, and immediately dry any areas that become wet or humid.</p> <p>Regular Maintenance: Clean door panels regularly with a soft cloth and wipe away moisture after bathing to keep panels dry. This will help maintain the cabinet's appearance and prevent water damage over time.</p> <p>Usage Restrictions: Never sit on, lean against, or step on the washbasin cabinet during use, as this can cause damage or injury. The cabinet is designed to support only its intended load and normal bathroom accessories.</p>	